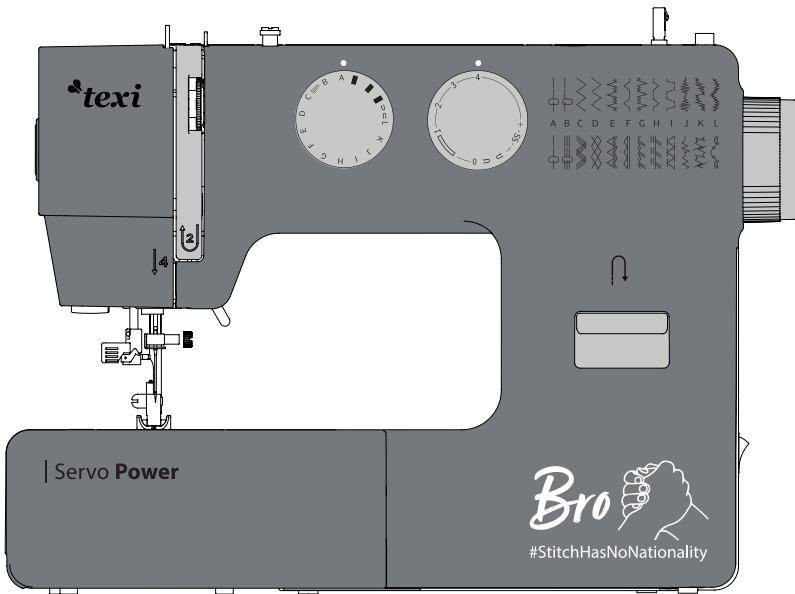


# *texi*®

*Culture of Sewing*



## Model Texi Bro





<b>EN</b>	<b>User's manual</b>	<b>4</b>
<b>CS</b>	<b>Uživatelský manuál</b>	<b>31</b>
<b>PL</b>	<b>Instrukcja obsługi</b>	<b>59</b>
<b>DE</b>	<b>Benutzerhandbuch</b>	<b>87</b>
<b>RU</b>	<b>Руководство пользователя</b>	<b>115</b>

# IMPORTANT SAFETY INSTRUCTIONS

When using an electrical appliance, basic safety precautions should always be followed, including the following.

Read all instructions before using this sewing machine.

**DANGER--** To reduce the risk of electric shock:

1. Do not allow to be used as a toy. Close attention is necessary when this sewing machine is used by or near children.
2. This appliance can be used by children aged from 8 years and above and persons with reduced physical, sensory or mental capabilities or lack of experience and knowledge if they have been given supervision or instruction concerning use of the appliance in a safe way and understand the hazards involved. Children shall not play with the appliance. Cleaning and user maintenance shall not be made by children without supervision.
3. Use this sewing machine only for its intended use as described in this manual. Use only attachments recommended by the manufacturer as contained in this manual.
4. Never operate this sewing machine if it has a damaged cord or plug, if it is not working properly, if it has been dropped or damaged, or dropped into water. Return the sewing machine to the nearest authorized dealer or service center for examination, repair, electrical or mechanical adjustment.
5. Never operate the sewing machine with any air openings blocked. Keep ventilation openings of the sewing machine and foot control free from the accumulation of lint, dust, and loose cloth.
6. Never drop or insert any object into any opening.
7. Do not use outdoors.
8. Do not operate where aerosol (spray) products are being used or where oxygen is being administered.
9. To disconnect, turn switch to the off ("O") position, then remove plug from outlet.
10. Do not unplug by pulling on cord. To unplug, grasp the plug, not the cord.
11. Keep fingers away from all moving parts. Special care is required around the sewing machine needle.
12. Never sew with a damaged needle plate as this can cause needle to break.
13. Do not use bent needles.
14. Do not pull or push fabric while stitching. It may deflect the needle causing it to break.
15. Switch the sewing machine off ("O") when making any adjustments in the needle area, such as threading needle, changing needle, threading bobbin, or changing presser foot, etc.
16. Always unplug sewing machine from the electrical outlet when removing covers, lubricating, or when making any other user servicing adjustments mentioned in the instruction manual.
17. Attention the following to avoid injury:
  - switch off or unplug the appliance when leaving it unattended;
  - unplug the appliance before carrying out maintenance or replacing lamps.

**CAUTION--**Moving parts--To reduce risk of injury, switch off before servicing. Close cover before operating machine.

## SAVE THESE INSTRUCTIONS

This product is for household use, or equivalent.

**This appliance complies with EEC Directive 2004/108/EC covering the electromagnetic compatibility.**



Please note that on disposal, this product must be safely recycled in accordance with relevant National legislation relating to electrical/ electronic products. If in doubt please contact your retailer for guidance.



# CONTENTS

## 1. KNOWING YOUR SEWING MACHINE

Main parts .....	2
Accessories .....	3
Setting up your machine .....	3
Power line cord/foot control connect and disconnect .....	3
Power/light switch .....	3
Converting to free-arm sewing .....	4
Presser foot lifter .....	4
Reverse sewing lever .....	4
Embroidery plate .....	4
Seam guide line .....	5
Setting spool pins .....	5
Winding the bobbin .....	5
Removing or replace the bobbin case .....	6
Threading the bobbin case .....	6
Changing the presser foot .....	6
Attaching the seam guide(optional) .....	6
Threading the machine .....	7
Twin needle .....	7
Using automatic needle threader .....	8
Drawing up bobbin thread .....	9
Balancing top thread tension .....	9
Needle, thread and fabric chart .....	10
Changing the needle .....	10
Pattern Selector Dial .....	11
Selecting Stretch Stitch Patterns .....	11
Stitch Length Dial .....	11
Useful sewing tips .....	12

## 2. UTILITY STITCHES

Straight Stitch .....	13
Zigzag Stitch .....	14
Overlock Stitch .....	14
Overedge Stitch .....	14
Tricot Stitch .....	15
Triple Strength Stitch .....	15
Sewing Buttons .....	16
Buttonhole Stitch .....	17
Zipper Application .....	18
Blind Stitch .....	19

## 3. DECORATIVE STITCHING

Shell Tuck Stitch .....	20
Stretch Stitch .....	20
Decorative Satin Stitch .....	21
Smocking .....	21
Box Stitch .....	22
Free seam .....	22

## 4. CARING FOR YOUR MACHINE

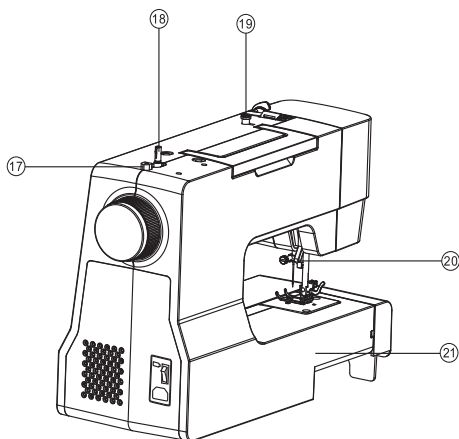
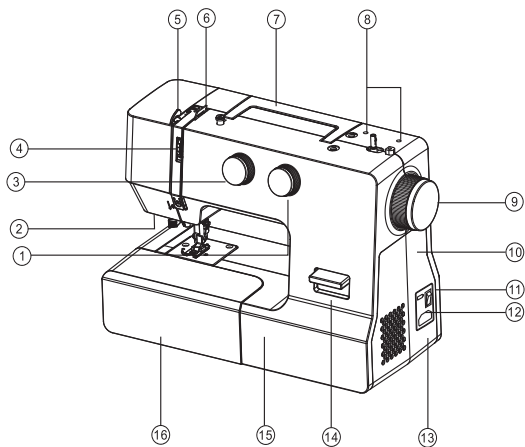
Dismantling and Assembling Shuttle Race .....	23
Cleaning the Feed Dogs .....	24
Drive Belt Tension .....	24
Oiling the Machine .....	25

## 5. TROUBLE SHOOTING .....

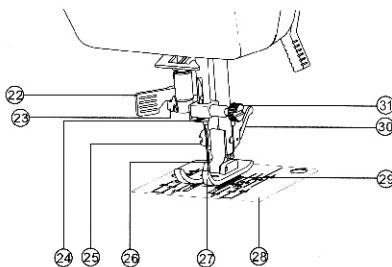
# KNOWING YOUR SEWING MACHINE

## Main parts

- 1 Stitch length dial
- 2 Thread cutter
- 3 Pattern selector dial
- 4 Thread tension control dial
- 5 Thread take up lever
- 6 Thread guide
- 7 Carry handle
- 8 Spool pins
- 9 Hand wheel
- 10 Belt cover
- 11 Appliance inlet
- 12 Power switch
- 13 Power socket
- 14 Reverse stitch lever
- 15 Front cover
- 16 Extension table (Accessory box)
- 17 Bobbin winder stopper
- 18 Bobbin winder spindle
- 19 Bobbin winder thread guide
- 20 Press foot lifter
- 21 Rear cover
- 22 Auto threader
- 23 Thread guide



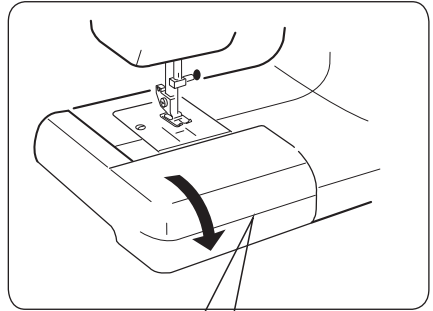
- 24 Needle bar thread guide
- 25 Presser foot screw
- 26 Needle
- 27 Presser foot
- 28 Needle plate
- 29 Feed dogs
- 30 Presser foot holder
- 31 Needle clamp screw



# KNOWING YOUR SEWING MACHINE

## Accessories

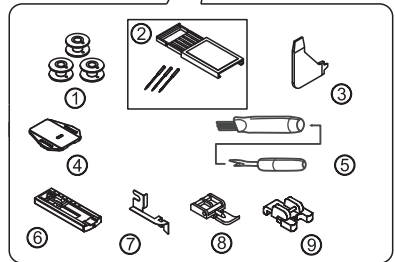
1. Bobbins(3pcs)
2. Needle box (Needle 3 pcs)
3. Multi-function screwdriver
4. Embroiderer plate
5. Buttonhole opener/Brush
6. Buttonhole foot
7. Guide presser foot
8. Zipper foot
9. Button fitting foot



The foot that comes on your sewing machine is called zigzag foot and will be used for the majority of your sewing.

## Setting up your machine

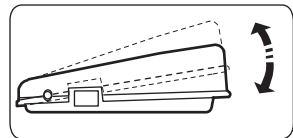
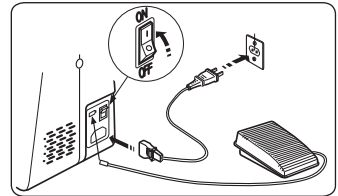
Be sure to wipe off any surplus oil from needle plate area before using your machine the first time.



## Power line cord/foot control connect and disconnect

Make sure that the sewing machine is turned off (the power switch is set to "O"), then connect the plug of the power line into the appliance inlet and your wall outlet. Before you disconnect power line cord and foot control, please make sure the sewing machine is turned off (the power switch is set to "o").

Sewing speed can be varied the foot control. The harder you press on the control, the faster machine runs.



**NOTE:** When foot control is disconnected, the machine will not operate.



Always disconnect the machine from power supply by removing the plug from the wall-outlet.



Power/light switch " OFF"



Power/light switch "ON"

## Power/light switch

Your machine will not operate until the power/light switch is turned on. The same switch controls both the power and the light.

When servicing the machine, or changing needles, etc., machine must be disconnected from the power supply.

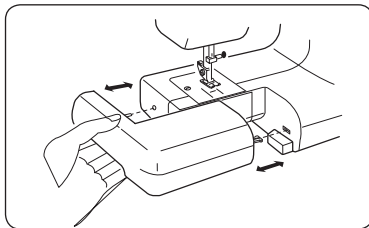
# KNOWING YOUR SEWING MACHINE

## Converting to free-arm sewing

Your machine can be used either as a flat-bed or as a free-arm model.

With the extension table in position, it provides a large working surface as a standard flat-bed model. To remove the extension table, hold it firmly with both hands and pull it off to the left as shown. To replace, slide the extension table back into place until it clicks.

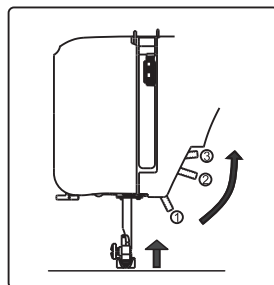
With the extension table removed the machine converts into a slim free-arm model for sewing children's clothes, cuffs, trouser legs, and other hard-to-reach places.



## Presser foot lifter

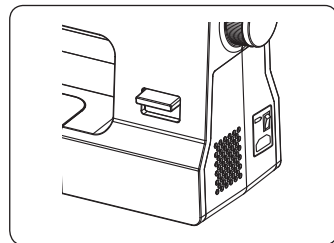
There are three positions for your presser foot.

1. Lower the presser foot to sew.
2. Raise the lifter to the middle position to insert or remove fabric.
3. Lift it to its highest position to change the presser foot or to remove thick fabric.



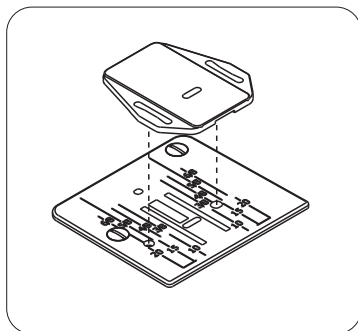
## Reverse sewing lever

As long as you are pressing down this button while sewing, the machine will feed the fabric backwards.



## Embroidery plate

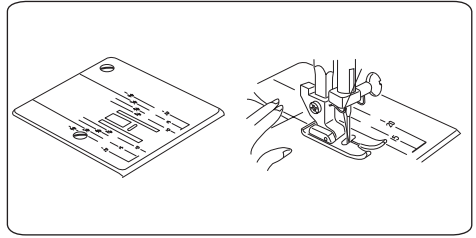
When free sewing or sewing buttons, install the embroidery plate as the right picture.



# KNOWING YOUR SEWING MACHINE

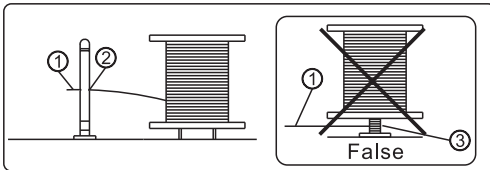
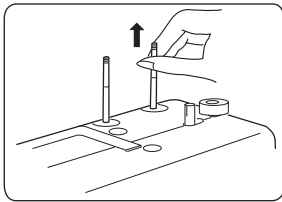
## Seam guide line

The numbers on the needle plate indicate the distance between the center needle position and the indicating line. The numbers in the front indicate in Millimeters. The numbers in the back indicate in inches.



## Setting spool pins

The spool pins are used for holding the spool of thread in order to feed thread to the machine. To use, pull up the spool pin. Push down for storage.

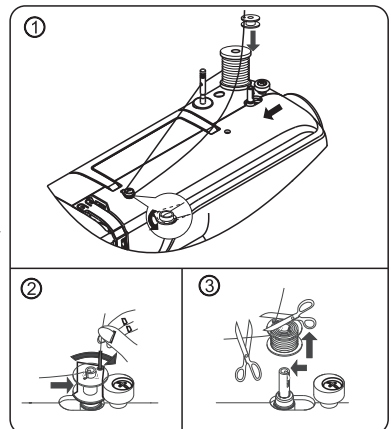


① Upper thread ② Hole ③ Tangle

**NOTE: In case of using thread which has tendency to tangle around the spool pin, thread through the hole of spool pin as shown. The hole should face to the thread spool.**

## Winding the bobbin

1. Place a spool of thread on the spool pin. pull the thread out from the spool, through the hole of spool pin and place it through thread guide as shown in illustration. Put end of thread through the hole in bobbin as shown.
2. Push the bobbin wider shaft to far left position, if it is not already there. Place bobbin onto the bobbin wider shaft with end of thread coming from top of bobbin. Push bobbin winder shaft to the right until it clicks. Hold onto end of thread.
3. Start machine. Bobbin will automatically stop turning when completely filled. Push shaft to the left to remove bobbin and cut thread.



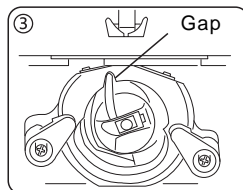
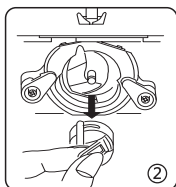
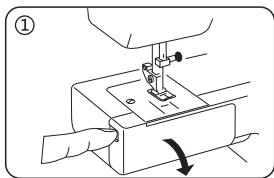
# KNOWING YOUR SEWING MACHINE

## Removing or replace the bobbin case

- 1.Refer to page 4 to remove the Extension table, raise the needle by turning the hand wheel toward you, then open the shuttle cover.
- 2.Take out bobbin case holding the latch.
- 3.When installing the bobbin case, the pin on the case should fit into the gap of the shuttle race.



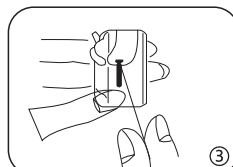
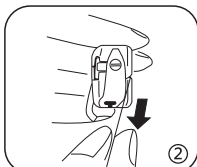
**Be sure to disconnect the power supply before operating the machine.**



## Threading the bobbin case

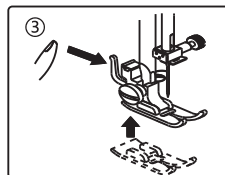
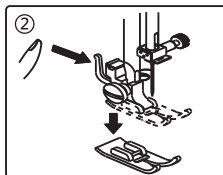
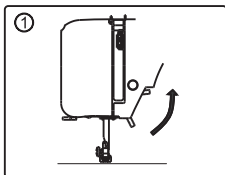
- 1.Install the bobbin into bobbin case. Make sure the thread unwinds in the direction of arrow.
- 2.Pull the thread into the groove in the bobbin case slot.
- 3.Now pull the thread under the tension spring and into the delivery eye.

**NOTE: Leave about 10cm (4 inches) of the thread hanging out of the bobbin case. When you pull the thread, the bobbin should spin clockwise.**



## Changing the presser foot

- 1.Turn the hand wheel toward you to raise the needle to its highest position.  
Raise the presser foot.
- 2.Press the lever on the back of the presser foot holder. The presser foot will drop off.
- 3.Place the presser foot so the pin on the foot lies just under the groove of the holder.  
Lower the presser foot holder to lock the foot in place.



## Attaching the seam guide(optional)

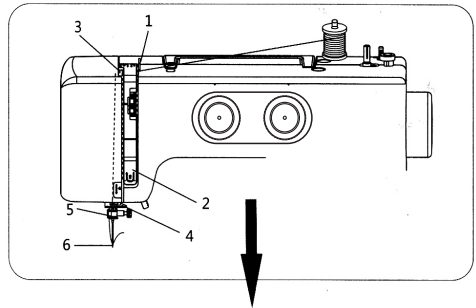
Attach the seam guide in the slot as illustrated.adjust according to need for hems pleats etc.

# KNOWING YOUR SEWING MACHINE

## Threading the machine

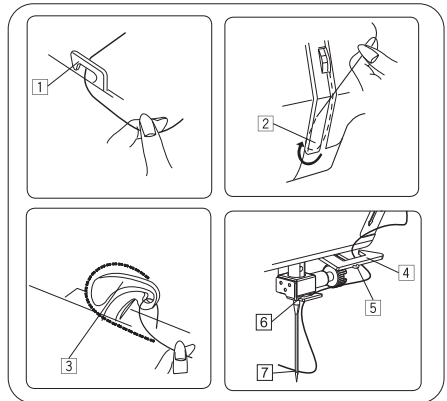
Raise take-up lever to its highest position by turning hand wheel toward you. Raise presser foot.

Place spool on spool pin as shown, with thread coming from the back of the spool.



1. Draw thread into thread guide using both hands.
2. Draw thread down into the tension area and around the check spring holder.
3. Firmly draw thread up and through take-up lever from right to left.
4. Then draw thread down and slip it into the lower thread guide.
5. Do not block the thread into double needle spring.
6. Draw thread down and slip it into needle bar thread guide.
7. Thread needle eye from front to back.

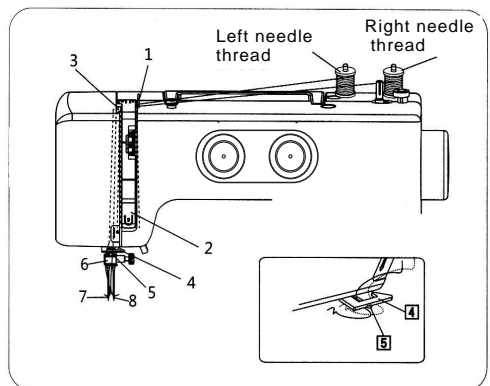
**NOTE: Cut the thread end with sharp scissors for easier needle threading.**



## Twin needle

How to thread the double needle:

1. Use the bobbin to thread the left needle according to the way of threading single needle from step one to step four, then fix the thread into the double needle spring as point 5 in the right picture. Finally thread into the left needle eye from front to back.
2. Thread the right needle according to the way of threading single needle from step one to step seven.



**Note: Be sure to thread the left needle firstly, then to thread the right needle.**

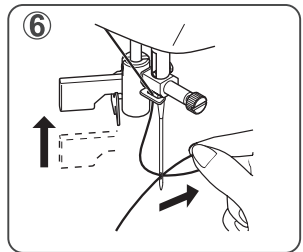
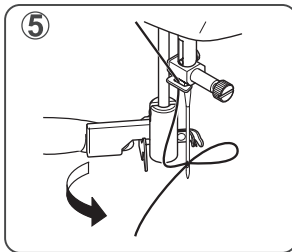
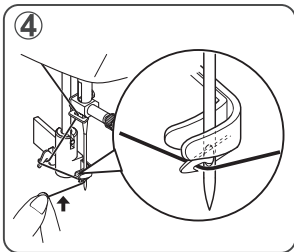
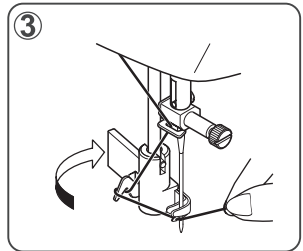
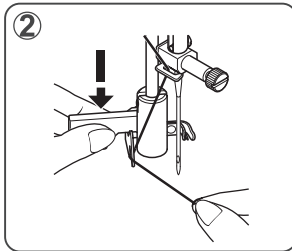
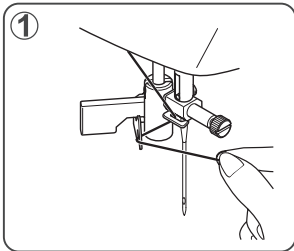
# KNOWING YOUR SEWING MACHINE

## Using automatic needle threader

Raise the needle to its highest position by rotating the hand wheel towards you.

1. Hook thread to thread guide as illustrated.
2. Pull down lever while holding the end of thread.
3. Rotate the lever to the rear of the machine.
4. Guide thread into hooked end and pull the thread upward.
5. Return the lever and needle will be threaded automatically.
6. Release the lever and pull thread away from you.

**NOTE : For a smooth threading it is recommended you select straight stitching when using the needle threader.**

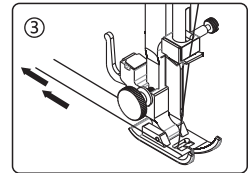
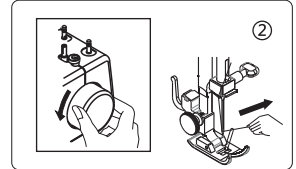
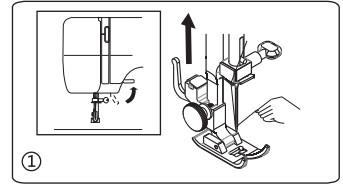




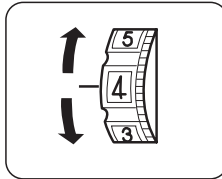
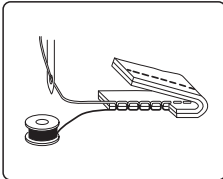
# KNOWING YOUR SEWING MACHINE

## Drawing up bobbin thread

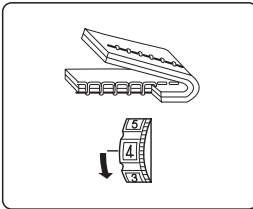
- ① Raise the presser foot and hold the needle thread lightly with your left hand.
- ② Turn the hand wheel slowly towards you with your right hand until the needle goes down and continue turning the hand wheel until the take-up lever is at its highest position. Lightly draw up the needle thread forming a loop of the bobbin thread.
- ③ Pull 15cm (6 inches) of both thread back and under the presser foot.



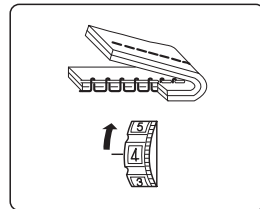
## Balancing top thread tension



The top thread and the bobbin thread should interlock in the center of two layers of fabric in straight seams. Set the desired number of the thread tension dial at setting mark.



Tighten the needle thread tension by moving the dial to a higher number.



Loosen the needle thread tension by moving the dial to a lower number.

**NOTE :** In order to obtain better zigzag stitches, the top thread tension should be slightly weaker than the bobbin thread tension. That means, the top thread should appear slightly on the reverse side of the fabric, but the bobbin thread cannot appear on the top side of the fabric.

# KNOWING YOUR SEWING MACHINE

## Needle, thread and fabric chart

Your fabric will determine the choice of a needle and thread. The following table is a practical guide to needle and thread selection.

Always refer to it before a new sewing project. And be sure to use the same size and type of thread in the bobbin as in the top thread supply.

Kind	Fabric	Threads	Needle size
Light Weight	Crepe de chine, Voile Lawn, Organdy, Georgette, Tricot.	Fine Silk, Fine Cotton, Fine Synthetic, Fine Cotton Covered Polyester.	9 or 11
Medium Weight	Linens, Cotton, Pique, Serge, Double knits, Percale.	50 Silk, 50-80 Cotton, 50-60 Synthetic, 50-60 Cotton Covered Polyester.	11 or 14
Heavy Weight	Denim, Tweed, Gabardine, Coating, Drapery and Upholstery Fabric.	50 Silk, 40-50 Cotton, 40-50 Synthetic, 40-50 Cotton Covered Polyester.	14 or 16

### CAUTION

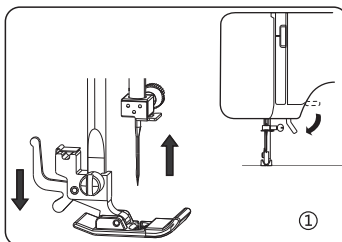
**Always disconnect the machine from power supply by removing the plug from the wall-outlet.**

### Changing the needle

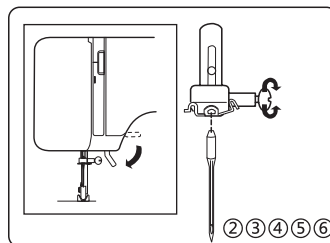
1. Raise the needle by turning hand wheel toward you and lower the presser foot.
2. Rotate the needle clamp screw toward you (counter-clockwise) to loosen the needle.
3. Remove the needle from the clamp.
4. Insert the new needle into the needle clamp with the flat side away from you.
5. When inserting the needle into the clamp, push it up as far as it will go.
6. Tighten the clamp screw clockwise firmly with the screwdriver.

**NOTE : Tighten snugly, but do not over tighten.**

**Helpful Hint: Placing a scrap of fabric under the presser foot and lowering the presser foot makes it easier to change the needle and will preclude dropping the needle into the needle plate slot.**

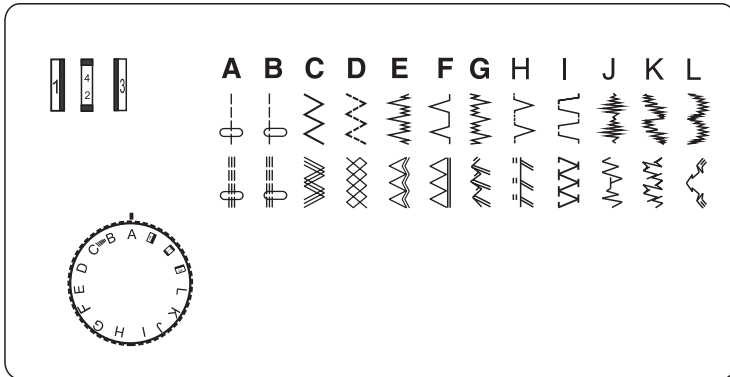


\* Check your needles frequently for barbed or blunted points. Snags and runs in knits, fine silks and silk-like fabrics are permanent and are almost always caused by a damaged needle.



# KNOWING YOUR SEWING MACHINE

## Pattern selector dial



Raise the needle above the fabric and select the desired pattern at the setting mark by turning the pattern selector dial.

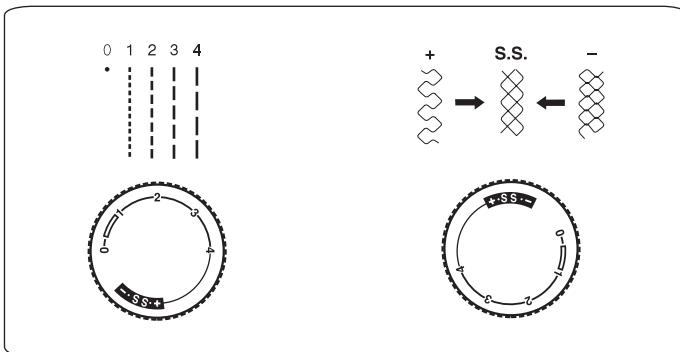
## Selecting stretch stitch patterns

When sewing stretch, set the stitch length dial at "SS".

When forward and reverse feeds become unbalanced depending upon the type of fabric, correct the hand as follows.

When patterns are compressed, correct it by turning the dial toward "+".

When patterns are drawn out, correct it by turning the dial toward "-".



## Stitch length dial

The higher the number, the longer the stitch length. You can select the suitable stitch length for most fabric.

# KNOWING YOUR SEWING MACHINE

## Useful sewing tips

Various ways to achieve better sewing results are described below. Refer to these tips when sewing.

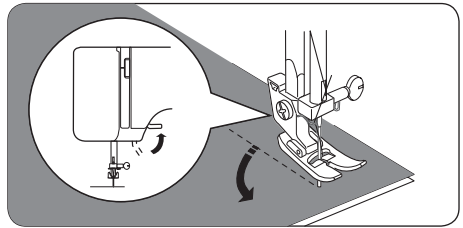
### 1. Trial sewing

Use different stitch width and length for trial sewing. When you have finished, select the best looking stitch width and length for correct sewing.

For the trial sewing, use a piece of fabric and thread that are the same as those used for your project, and check the thread tension and stitch length and width. Since the results differ depending on the type of stitching and the number of fabric layers sewn, perform the trial sewing under the same conditions that will be used with your project.

### 2. Changing the sewing direction

Stop the machine and turn the hand wheel toward you to bring the needle down into the fabric. Raise the presser foot. Pivot the fabric around the needle to change sewing direction as desired. Lower the presser foot and continue sewing.



### 3. Sewing curves

- 1). Stop sewing, and then slightly change the sewing direction to sew around the curve.
- 2). When sewing along a curve while using a zigzag stitch, select a shorter length in order to obtain a finer stitch.

### 4. Sewing thick fabrics

If the fabric does not fit under the presser foot

Raise the presser foot even higher to bring the presser foot to its highest position. Then feed the fabric under the presser foot. (See page 4 to Raise the presser foot.)

### 5. Sewing elastic fabric or the fabric that is easy to cause skipping stitches

Use round head needle and bigger stitch length. If necessary, add one layer of lining cloth under the fabric for better sewing.

### 6. Sewing thin fabric or silk

When sewing thin fabric or silk, the stitch may depart from correct direction or cannot feed the fabric correctly. If so, add one layer of lining cloth under the fabric for better sewing.

### 7. Sewing stretch fabrics

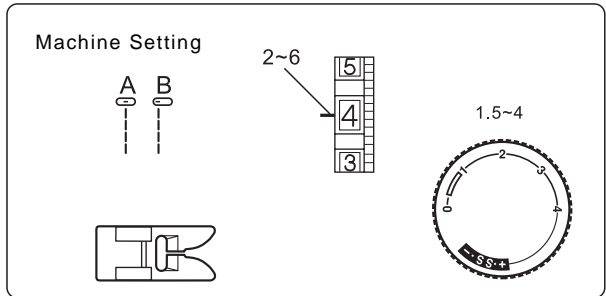
First, baste the piece of fabric together, and then sew without stretching the fabric.

### 8. Free arm sewing

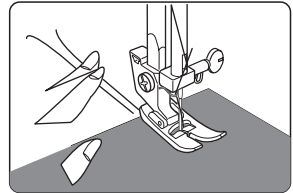
When sewing tube fabric or the part cannot reach, use the free arm sewing function (For detail, refer to page 4).

# UTILITY STITCHES

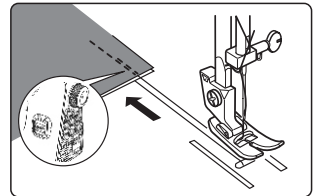
## Straight stitch



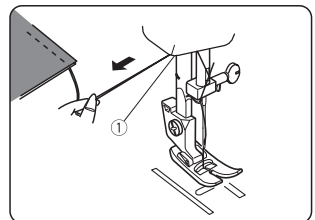
Raise the presser foot and position the fabric next to a stitching guide line on the needle plate.  
Lower the needle into the fabric.  
Lower the presser foot and smooth the thread towards the back. Depress the foot control.  
Gently guide the fabric along the guide line letting the fabric feed by itself.



For fastening the ends of seams, press the reverse stitch button and sew several reverse stitches.  
Raise the presser foot and remove the fabric, drawing the threads to back.



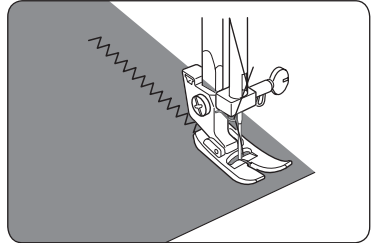
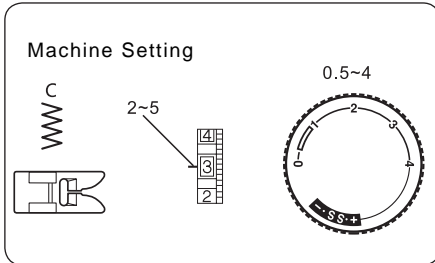
The threads are cut the proper length for starting the next seam.



# UTILITY STITCHES

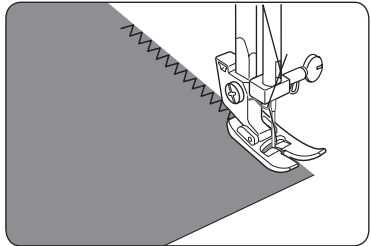
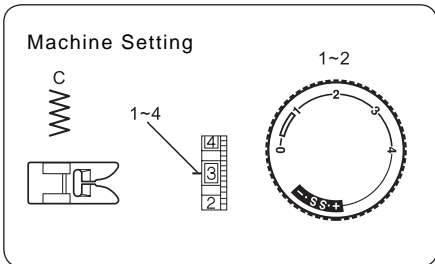
## Zigzag stitch

Simple zigzag stitching is widely used for overcasting, sewing on buttons etc.



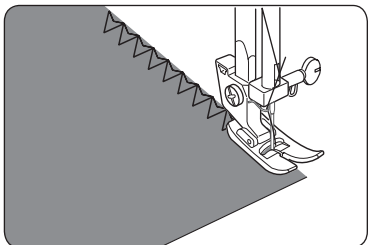
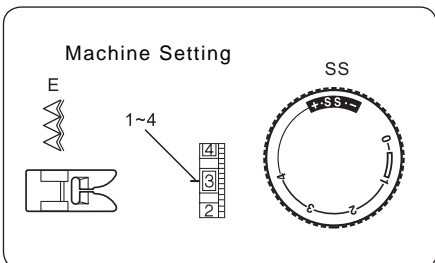
## Overlock stitch

This type of stitch is used on the seam allowance to prevent fabrics from fraying at raw edges.



## Overedge stitch

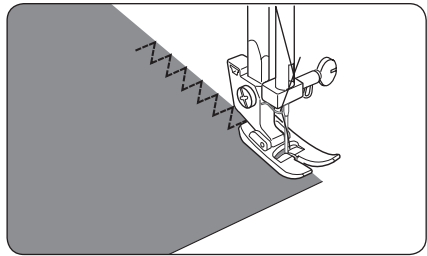
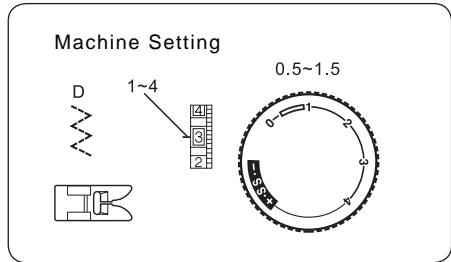
Overedge stitch will be done most successfully when the right side stitches of zigzag fall slightly off the edge of the fabric.



# UTILITY STITCHES

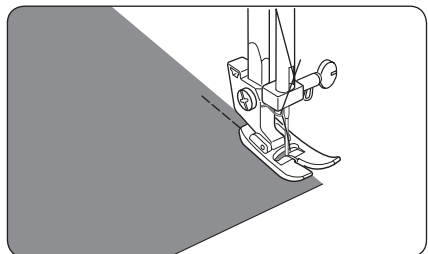
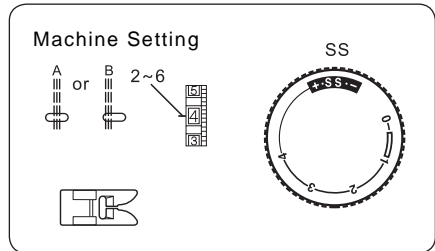
## Tricot stitch

Place the fabric under the presser foot so that the edge will be slightly inside the right hand side of the presser foot. Guide the work so the right hand stitches fall at the edge of the fabric.



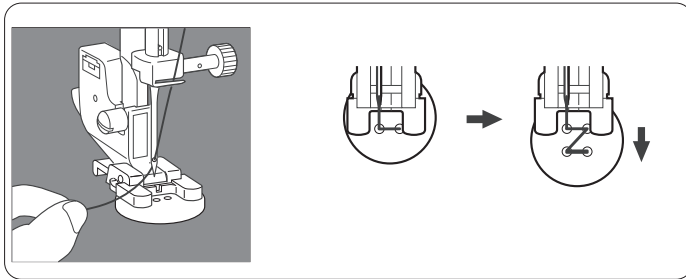
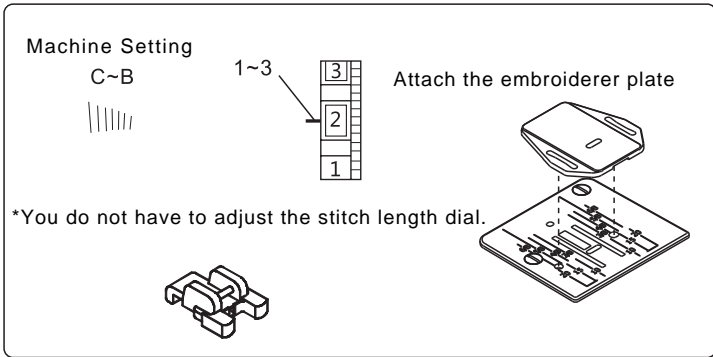
## Triple strength stitch

The stitch is sewn with two stitches forward and one stitch backward forming a seam that does not rip easily. Garments should be basted for fitting before seaming.



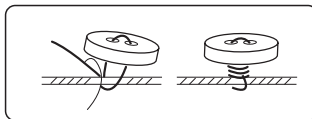
# UTILITY STITCHES

## Sewing buttons



Position your fabric and button under the presser foot. Lower presser foot. Turn the handwheel to make sure needle clears both left and right openings of button. Adjust width if required. Sew 10 stitches across.

When attaching four-hole buttons, first sew the two holes closest to you. Then, slide the button so that the needle goes into the two holes toward the rear of the sewing machine, and then sew them in the same way.

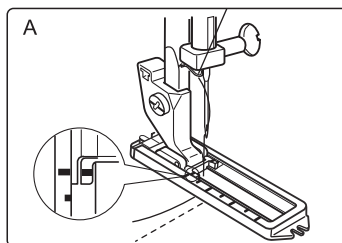
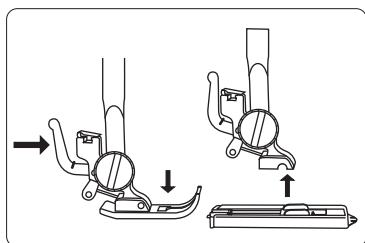
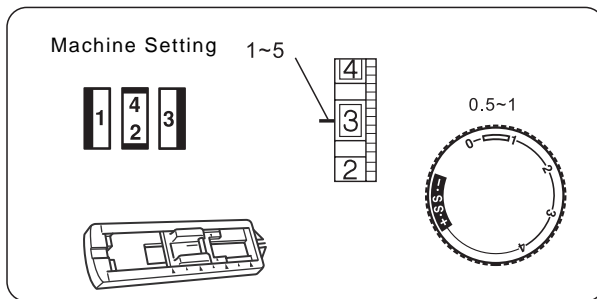


To secure thread, cut the upper thread with 25cm of excess, wind it around the thread between the button and the fabric, and then tie it tightly.



# UTILITY STITCHES

## Buttonhole stitch

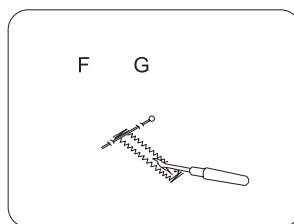
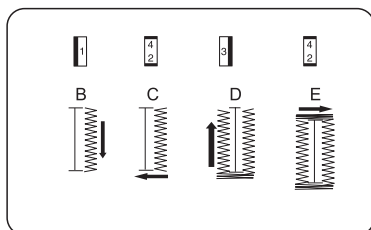


Replace the buttonhole foot.

\*Before you sew the actual buttonholes on the actual garment, make several practice buttonholes on a fabric sample.

\*Use interfacing on stretch fabrics.

A. Select **1**, draw both thread to the left under the foot.  
Insert the garment under the foot.



B. Lower the needle at the starting point. Then lower buttonhole foot. Sew the needed length on the left side of buttonhole and stop the machine.

C. Raise the needle to its highest position by turning the hand wheel, then select **2**.

D. Raise the needle to its highest position and select **3**, sew the right side of buttonhole the same length as the left side and stop the machine.

E. Raise the needle and select **4**, and sew five of the bartack stitches.

F. Raise the presser foot and draw out the fabric, cut both top thread and bobbin thread leaving about 10cm of thread ends, and tie it on the wrong side of the fabric.

G. Cut open the buttonhole with seam ripper.

# UTILITY STITCHES

## Buttonhole stitch

### Tips:

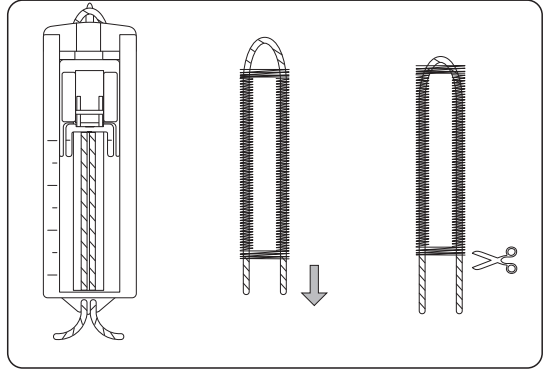
Slightly reduce the upper tension to produce better results.

Use backing material for fine or stretchy materials.

We recommend placing a pin across the end of the buttonhole as a precaution against cutting the stitches with the seam ripper.

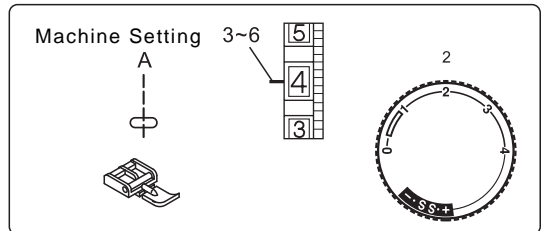
It is advisable to use gimp cord for stretch or knit fabrics. The zigzag should sew over the gimp.

The lines on the buttonhole foot can be used as guides when sewing multiple buttonholes.



1. Lift the presser foot, pull the gimp cord and come round the protruding point on back of the buttonhole foot.
2. Pull the gimp cord under the foot to the front.
3. Fix the gimp cord to the protruding point on front of foot.
4. Turn the needle down to the starting position on fabric, put down the presser foot.
5. Sew the buttonhole according to page 17.
6. Pull the gimp cord straightly.
7. Cut the gimp cord.

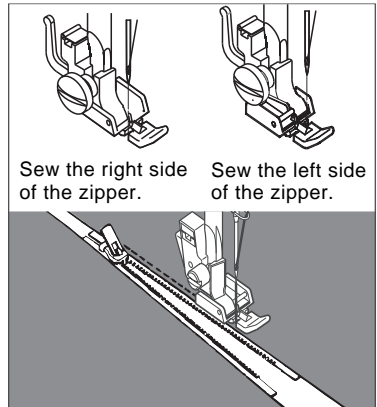
## Zipper application



Attach the zipper foot.

When sewing the right side of the zipper, attach the zipper foot as the illustration in right.

When sewing the left side of the zipper, attach the zipper foot as the illustration in right.



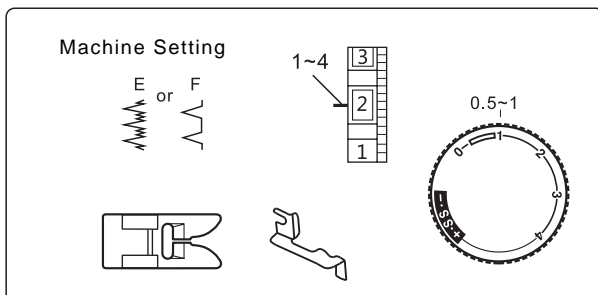
### Helpful hint:

**During zipper inserting, ensure that the needle do not touch the zipper. Otherwise it will cause needle break or even injury.**

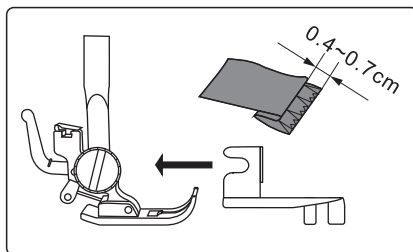
# UTILITY STITCHES

## Blind stitch

**Helpful hint:** Please thread the needle firstly before install the Guide foot.

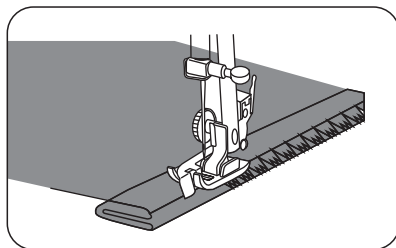


Fold up the fabric as illustrated. Lower the presser foot, then loosen the foot holder screw to place the hem guide between the screw and the shank of foot holder. Tighten the screw making sure the wall of hem guide is placed in the middle of the toes of the presser foot.

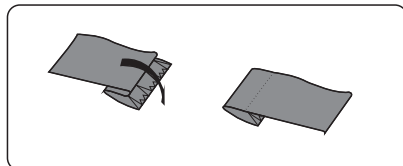


Raise the presser foot and place the fabric under the foot so that the soft fold rests against the wall of hem guide.

Lower the foot, then stitch slowly for better control so that the zigzag stitches fall on the hem allowance and pierce the soft fold. While sewing, make sure the soft fold runs along the wall of hem guide.

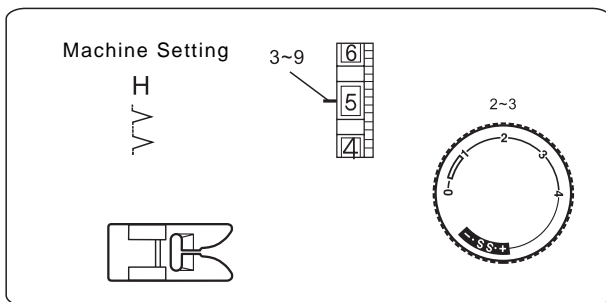


Spread the fabric flat with the right side facing up.

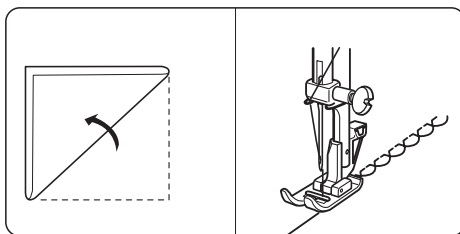


# DECORATIVE STITCHING

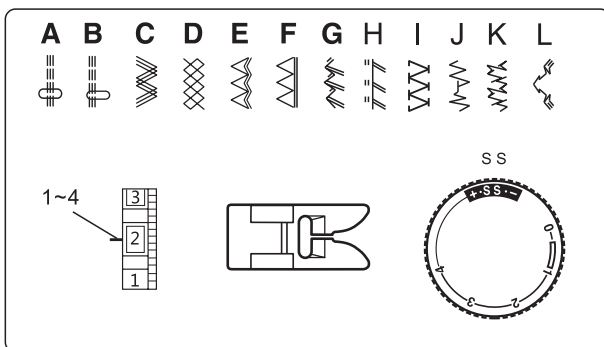
## Shell tuck stitch



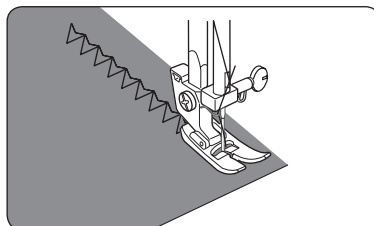
Place the folded edge along the slot of foot. the needle should fall off the edge of the fabric on the right forming a tuck.



## Stretch stitches

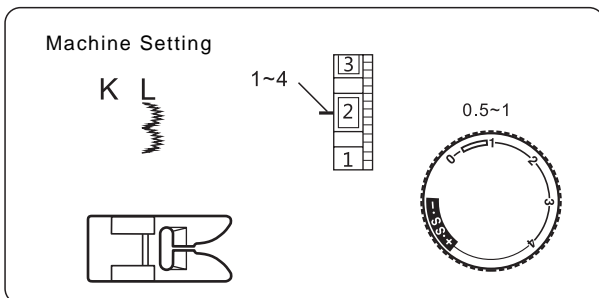


When forward and reverse feeds become unbalance depending upon the type of fabric, correct the balance by turning the stitch length dial as follows:  
 When patterns are compressed, correct it by turning the dial toward"+".  
 When patterns are draw out, correct it by turning the dial toward"-".

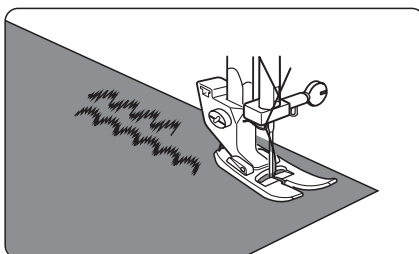


# DECORATIVE STITCHING

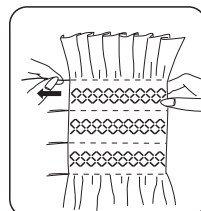
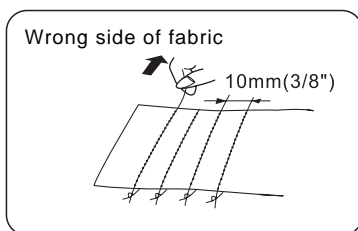
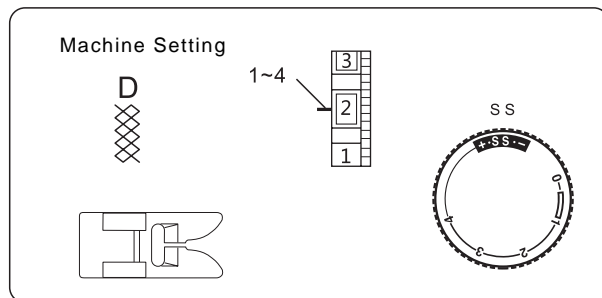
## Decorative satin stitch



Sew a row of stitches and adjust the thread tension so the upper thread should appear on the reverse side of the fabric.  
Test the stitch on actual fabric for the best results.



## Smocking



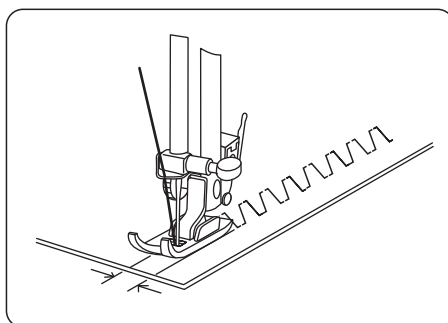
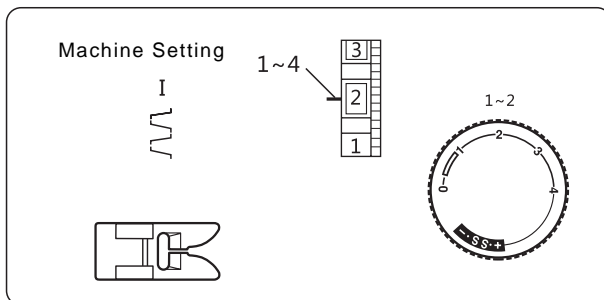
With the stitch length "4", sew straight stitching; lines 3/8" apart across the area to be smocked. Knot the threads along one edge, pull the bobbin threads and distribute the gathers evenly. Secure the thread at the other end. Sew the decorative stitch between the gathering stitches. Pull out the gathering stitches.

NOTE: Loosen the top thread tension to make gathering easier.

# DECORATIVE STITCHING

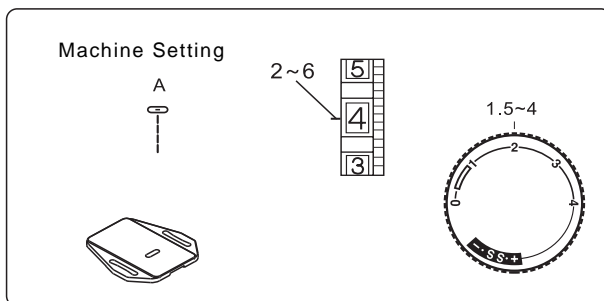
## Box stitch

Use this stitch to join heavy weight interlining. Overlap two raw edges together and use this stitch to join them.



## Free seam

Can sew free-motion stitches with customer's own style.

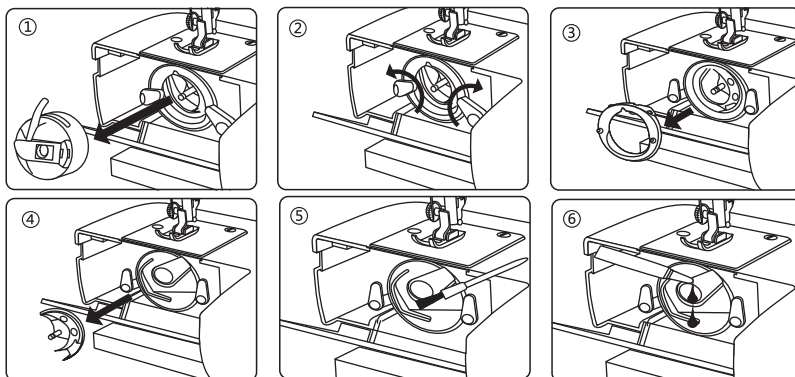


Note: Remove the presser foot and foot holder before free sewing.

# CARE OF YOUR MACHINE

## Dismantling and assembling shuttle race

To dismantle the shuttle race and oil the shuttle race



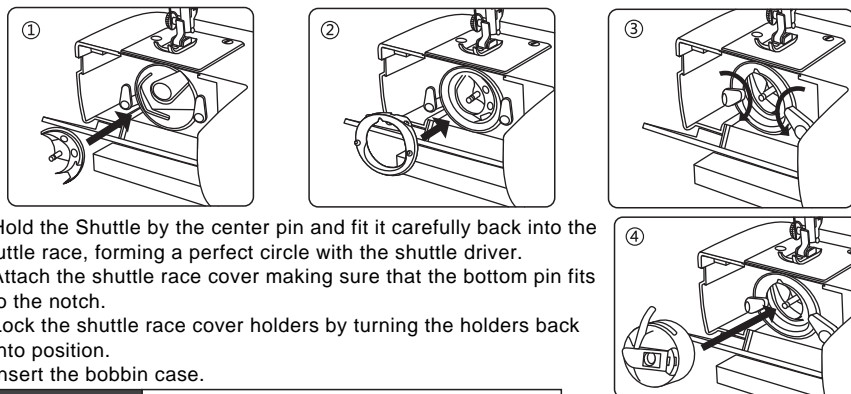
Raise the needle to its highest position and open the shuttle cover.

1. Open the hinged latch of the bobbin case and take it out of the machine.
2. Open the shuttle race cover holders.
3. Remove the shuttle race cover.
4. Remove the shuttle.
5. Clean the shuttle race with a brush and soft dry cloth.
6. Before assembling the shuttle race, oil the shuttle race using a few drops of fine quality sewing machine oil.

### Note:

1. Use oil sparingly as over oiling will cause it to leak onto your fabric.
2. In case the machine does not work smoothly due to standing idle for some time, apply a few drops of kerosene at the oiling point, and turn the machine rapidly for a minute.
3. When the machine keeps working 4-8 hours or there is abnormal noise, apply 2-3 drops of sewing machine oil at the oiling point.

## To assembling the shuttle race



1. Hold the Shuttle by the center pin and fit it carefully back into the shuttle race, forming a perfect circle with the shuttle driver.
2. Attach the shuttle race cover making sure that the bottom pin fits into the notch.
3. Lock the shuttle race cover holders by turning the holders back into position.
4. Insert the bobbin case.



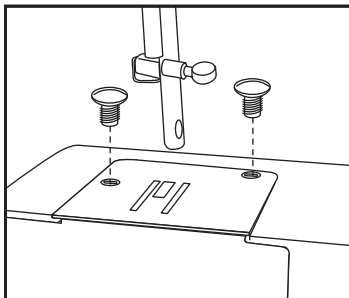
**CAUTION**

**Be sure to disconnect the power supply before operating the machine.**

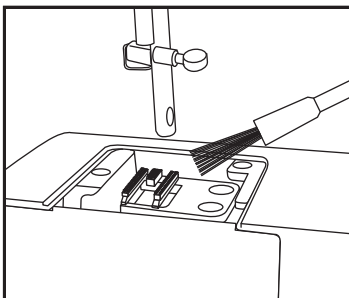
# CARE OF YOUR MACHINE

## Cleaning the feed dogs

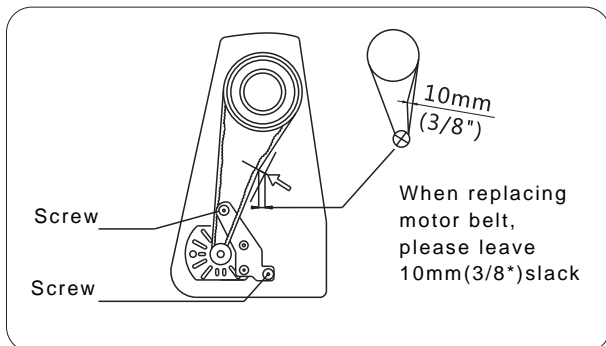
Remove the needle and the presser foot.  
Remove the needle plate set screws and remove the needle plate.



With a brush, clean out dust and lint clogging on the feed dog teeth. Reset the needle plate.



## Drive belt tension



To adjust the belt tension, take off the belt cover and loosen the fixing screws about one turn with a screwdriver.

This will allow the motor to move downward or upward. Then firmly tighten the screw, making sure the belt has the correct tension.

**CAUTION:** Do not tighten the belt too tightly.

**CAUTION** Be sure to disconnect the power supply before operating the machine.



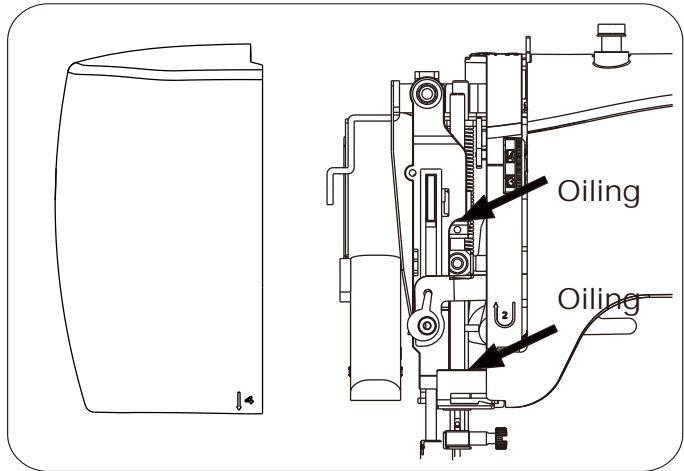
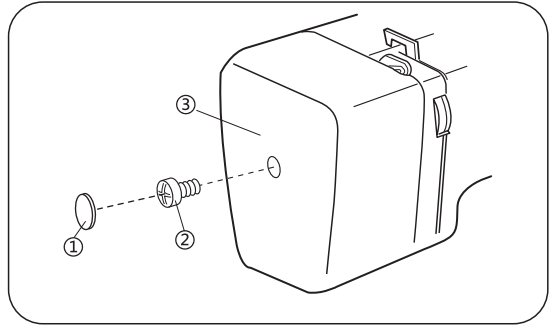
# CARE OF YOUR MACHINE

## Oiling the machine

- ① Face cover screw cap
- ② Face cover screw
- ③ Face cover

Remove the face cover

- 1.Face cover screw
- 2.Face cover



Apply a few drops of fine quality sewing machine oil to the point indicated by the arrows in the figures. For machine in constant use, oil two or three times a year.

In case the machine does not work smoothly due to standing idle for some time, apply a few drops of kerosene at the oiling point, and turn the machine rapidly for a minute.

Before oiling, wipe off oiling points.

**CAUTION** Be sure to disconnect the power supply before operating the machine.

# TROUBLESHOOTING

Trouble	Causes	Solution
Top thread broken	<ol style="list-style-type: none"> <li>1.Improper top threading.</li> <li>2.Excessively tight top tension.</li> <li>3.Blunt or bend needle.</li> <li>4.Improper fixing of needle.</li> <li>5.At start of sewing, top thread and bottom thread are not correctly fixed beneath the presser.</li> <li>6.The thread is unsuitable</li> </ol>	<ol style="list-style-type: none"> <li>1.Threading the top thread again. (Refer to page7.)</li> <li>2.Adjust the top tension. (Refer to page 9.)</li> <li>3.Replace the needle. (Refer to page 10.)</li> <li>4.Reinstall the needle. (Refer to page 10.)</li> <li>5.Proper operation. (Refer to page 7 9.)</li> <li>6.Replace the proper thread. (Refer to page 10.)</li> </ol>
bobbin thread broken	<ol style="list-style-type: none"> <li>1.The bobbin thread is not correctly threaded into bobbin case.</li> <li>2.Cotton flock collected on shuttle race.</li> <li>3.The bobbin is damaged and impossible to smoothly rotate.</li> </ol>	<ol style="list-style-type: none"> <li>1.Thread the bobbin thread again. (Refer to page 9.)</li> <li>2.Clean the shuttle race.(Refer to page 23.)</li> <li>3.Replace the bobbin. (Refer to page 6.)</li> </ol>
Needle broken	<ol style="list-style-type: none"> <li>1.Improper fixing of needle.</li> <li>2.Blunt or bend needle.</li> <li>3.The needle cramp screw is loosening.</li> <li>4.Excessively tight top tension.</li> <li>5.Too thin needle.</li> </ol>	<ol style="list-style-type: none"> <li>1.Reinstall the needle. (Refer to page 10.)</li> <li>2.Replace the needle. (Refer to page 10.)</li> <li>3.Tight the needle cramp screw.</li> <li>4.Adjust the top tension. (Refer to page 9.)</li> <li>5.Replace the proper needle. (Refer to page 10.)</li> </ol>
Skipping stitches	<ol style="list-style-type: none"> <li>1.Improper fixing of needle.</li> <li>2.Blunt or bend needle.</li> <li>3.The needle and (or) thread is unsuitable for the used fabric.</li> <li>4.Improper top threading.</li> <li>5.The needle is unsuitable.</li> </ol>	<ol style="list-style-type: none"> <li>1.Reinstall the needle. (Refer to page 10.)</li> <li>2.Replace the needle. (Refer to page 10.)</li> <li>3.Replace the proper needle and thread. (Refer to page 10.)</li> <li>4.Threading the top thread again. (Refer to page 7.)</li> <li>5.Replace the proper needle. (Refer to page 10.)</li> </ol>
Seam puckering	<ol style="list-style-type: none"> <li>1.Excessively tight top tension.</li> <li>2.Improper top threading.</li> <li>3.Excessively thick top thread for the used fabric.</li> </ol>	<ol style="list-style-type: none"> <li>1.Adjust the top tension. (Refer to page9.)</li> <li>2.Threading the top thread again. (Refer to page 7.)</li> <li>3.Replace the proper thread. (Refer to page 10.)</li> </ol>
Unsmooth feed	<ol style="list-style-type: none"> <li>1.Feed dog is wound by thread.</li> <li>2.Thread jams.</li> </ol>	<ol style="list-style-type: none"> <li>1.Clean the feed dog. (Refer to page 24.)</li> <li>2.Clean the clamping thread.</li> </ol>
Not run of machine	<ol style="list-style-type: none"> <li>1.Not surely inserting power plug.</li> <li>2.Clamping thread at shuttle race.</li> <li>3.Failure to replace the bobbin winder shaft at original position after winding bobbin.</li> </ol>	<ol style="list-style-type: none"> <li>1.Check the power connector. (Refer to page 3.)</li> <li>2.Clean the clamping thread.</li> <li>3.Push the bobbin winder shaft to original position. (Refer to page 5.)</li> </ol>
Thread jaming	<ol style="list-style-type: none"> <li>1.The presser foot lifter is not lower down when sewing.</li> <li>2.Improper top threading.</li> <li>3.Improper bobbin threading.</li> </ol>	<ol style="list-style-type: none"> <li>1.Lower down the presser foot lifter.(Refer to page 4.)</li> <li>2.Threading the top thread again. (Refer to page 7.)</li> <li>3.Threading the bobbin thread again. (Refer to page 9.)</li> </ol>

# DŮLEŽITÉ BEZPEČNOSTNÍ POKYNY

Při používání elektrických zařízení je třeba dbát na základní bezpečnostní pokyny, včetně následujících:

Před použitím tohoto stroje čtěte pečlivě všechny pokyny.

## **NEBEZPEČÍ-** - Pro snížení rizika zásahu elektrickým proudem.

1. Toto zařízení není hračka. Pokud je používáno dětmi nebo v blízkosti dětí, věnujte práci velkou pozornost.
2. Toto zařízení mohou používat děti od 8 let výše a osoby se sníženými fyzickými, sensorickými nebo mentálními schopnostmi nebo nedostatkem zkušeností a znalostí, pokud mají dozor osoby zodpovědné za jejich bezpečí, nebo byly dostatečně proškoleni a chápou rizika, která souvisí s používáním tohoto zařízení. Děti by si neměly se zařízením hrát. Čištění a údržbu by neměly provádět děti bez dozoru.
3. Používejte tento šicí stroj pouze pro účel, který je popsán v tomto návodu. Používejte pouze příslušenství doporučené výrobcem, jak je obsaženo v tomto návodu.
4. Nikdy nepracujte se šicím strojem, pokud je poškozen přívodní kabel nebo zástrčka, pokud nefunguje správně, byl upuštěn nebo poškozen nebo přišel do kontaktu s vodou. Odnesete šicí stroj do nejbližšího servisního místa pro kontrolu a případnou opravu.
5. Nikdy nepracujte se šicím strojem, pokud je kterýkoliv z jeho ventilačních otvorů blokován. Je třeba tyto otvory udržovat čisté, stejně jako pedál.
6. Nikdy nevkládejte žádné předměty do otvorů ve stroji.
7. Nepoužívejte venku.
8. Nepoužívejte v místnostech, kde se pracuje s aerosolovými výrobky (spreji) nebo kde dochází ke zpracovávání kyslíku.
9. Pro odpojení vypněte vypínač do pozice ("O") vypnuto, poté odstraňte přívodní kabel ze zásuvky.
10. Neodpojíte taháním za kabel. Pro odpojení uchopte zástrčku, nikoliv kabel.
11. Nepřibližujte prsty k pohyblivým částem stroje. Zvláštní péči věnujte okolí jehly.
12. Nikdy nešijte, pokud je poškozená stehová deska, může dojít ke zlomení jehly.
13. Nepoužívejte tupé nebo ohnuté jehly.
14. Netahejte ani nepostrkujte látku při šití. Může dojít k poškození jehly.
15. Vypněte šicí stroj - hlavní vypínač do pozice ("O"), pokud provádíte jakékoli úpravy v okolí jehly jako jsou: navlékání jehly, výměna cívky, výměna přítlačné patky.
16. Vždy odpojte přívodní kabel z el. sítě, pokud odstraňujete kryty, provádíte mazání nebo jiné servisní práce, které jsou zmíněny v tomto návodu.
17. Abyste předešli riziku poranění, dbejte na následující :
  - Vypněte nebo odpojte zařízení z el. sítě, pokud je necháváte bez dozoru.
  - odpojte zařízení před údržbou nebo výměnou žárovky.

**UPOZORNĚNÍ** - -Pohyblivé části -Pro snížení rizika zranění vypněte hlavní vypínač stroje. Před jeho použitím zavřete všechny kryty.

## **UCHOVEJTE TYTO POKYNY**

Tento výrobek je určen pouze pro domácí použití.

**Toto zařízení splňuje nařízení EEC 2004/108/EC o elektromagnetické kompatibilitě.**

Mějte, prosím, na paměti, že tento výrobek je třeba bezpečně recyklovat v souladu s legislativou o elektrických/elektronických výrobcích, platnou v zemi prodeje. V případě pochybností, kontaktujte, prosím, svého prodejce.



# OBSAH

## 1. SEZNÁMENÍ S VAŠÍM ŠICÍM STROJEM

Hlavní části	2
Příslušenství	3
Nastavení vašeho stroje	3
Odpojení a připojení přívodního kabelu	3
Hlavní vypínač/vypínač osvětlení	3
Šití na volném ramenu	4
Páčka pro zdvih přítlačné patky	4
Páčka zpětného chodu	4
Vyšivací destička	4
Vodící švové linie	5
Nastavení nitových kolíků	5
Navíjení cívek	5
Odstranění a vložení cívkového pouzdra	6
Navlečení cívkového pouzdra	6
Výměna přítlačné patky	6
Nasazení vodiče švů(k dokoupení)	6
Navlečení stroje	7
Dvojehla	7
Použití automatického navlékače jehel	8
Vytažení spodní nitě	9
Vyrovnaní napětí horní nitě	9
Tabulka jehel, nití a látek	10
Výměna jehel	10
Kolečko nastavení stehu	11
Volba strečových vzorů stehů	11
Kolečko nastavení délky stehu	11
Užiteční tipy pro šití	12

## 2. UŽITKOVÉ STEHY

Rovný steh	13
Cíckak steh	14
Overlockový steh	14
Obrubovací steh	14
Trikotový steh	15
Trojitý odolný steh	15
Přišívání knoflíků	16
Steh na knoflíkové dírky	17
Přišívání zipů	18
Slepý steh	19

## 3. DEKORATIVNÍ STEHY

Lasturový steh	20
Strečový steh	20
Dekoratívni saténový steh	21
Nabírání	21
Boxový steh	22
Volný šev	22

## 4. PÉČE A ÚDRŽBA

Rozebrání a složení dráhy chapače	23
Čištění podavače	24
Napětí hnacího řemen	24
Mazání stroje	25

## 5. PROBLÉMY PŘI ŠITÍ ----- 26

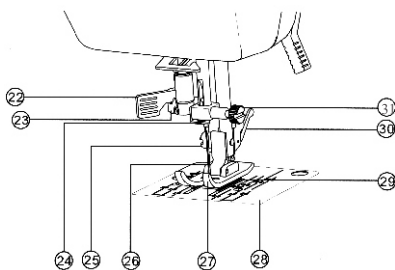
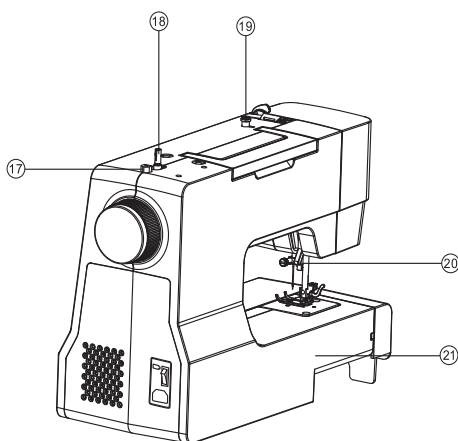
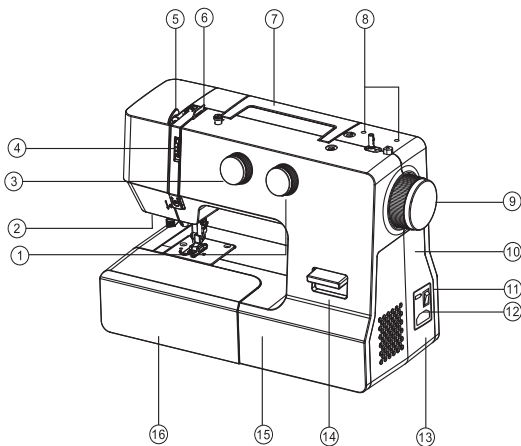
# SEZNÁMENÍ S VAŠÍM ŠÍCÍM STROJEM

## Hlavní části

1. Kolečko nastavení délky stehu
2. Ořez nitě
3. Kolečko nastavení vzoru
4. Kolečko pro nastavení napětí nitě
5. Posuvná páčka horní nitě
6. Vodič nitě
7. Držadlo pro přenášení
8. Niťové kolíky
9. Ruční kolo
10. Kryt řemene
11. Zásuvka stroje
12. Hlavní vypínač
13. Zásuvka pro přívodní kabel
14. Páčka zpětného chodu
15. Čelní kryt
16. Pracovní stolek (box na příslušenství)
17. Zarážka navijeece cívek
18. Navijecí hřídel cívek
19. Vodič nitě pro navijení cívek
20. Zdvih přítlačné patky

21. Zadní kryt
22. Automatický navlékač
23. Vodič nitě

24. Vodič na jehelní tyči
25. Šroub přítlačné patky
26. Jehla
27. Přítlačná patka
28. Stehová deska
29. Podavač
30. Držák přítlačné patky
31. Šroub jehelní svorky



# SEZNÁMENÍ S VAŠÍM ŠICÍM STROJEM.

## Příslušenství

1. Cívky (3 ks)
2. Balení jehel (3 ks jehel)
3. Multifunkční šroubovák
4. Vyšivací destička
5. Páráček/kartáček
6. Patka na knoflíkové dírky
7. Přítlačná patka s vodičem
8. Zipová patka
9. Patka pro přišívání knoflíků

Patka, která je při vybalení nasazena na stroji je tzv. patka na cikcak a používá se pro většinu běžného šití.

## Nastavení šicího stroje

Ujistěte se, že jste očistili stroj od všech případných zbytků oleje před prvním použitím šicího stroje.

## Přívodní kabel/pedál - připojení a odpojení

Ujistěte se, že je šicí stroj vypnutý (hlavní vypínač v pozici O), poté připojte zástrčku přívodního kabelu do zásuvky v zařízení a do zásuvky ve zdi.

Před odpojením přívodního kabelu a pedálu se ujistěte, že je šicí stroj vypnutý (hlavní vypínač v pozici O)

Šicí rychlost se ovládá pomocí pedálu. Čím silněji pedál sešlápnete, tím rychleji bude stroj šít.

**POZNÁMKA:** Pokud je pedál odpojen, stroj nefunguje.



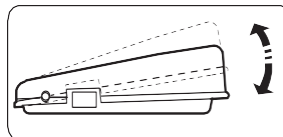
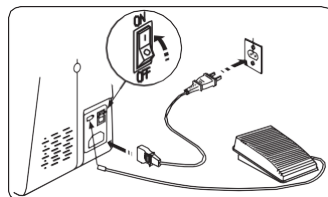
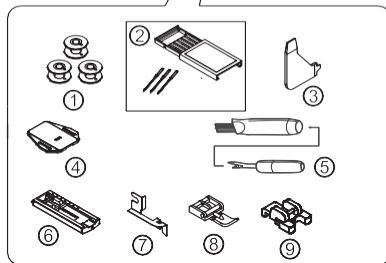
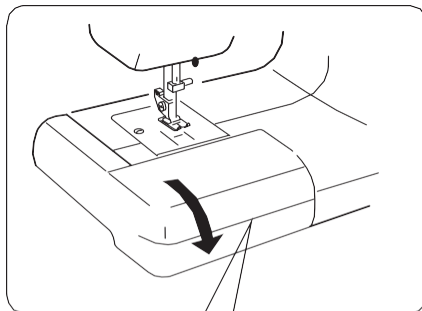
### UPOZORNĚNÍ

Vždy odpojte stroj z el. sítě vytážením zástrčky přívodního kabelu z el. zásuvky.

## Hlavní vypínač/osvětlení

Váš šicí stroj nebude fungovat, dokud nezapnete hlavní vypínač. Stejně tlačítko ovládá jak přívod energie tak osvětlení stroje.

Při provádění údržby stroje nebo výměně jehly, atd. je třeba stroj odpojit od přívodu el. energie.



Hlavní vypínač  
pozice vypnuto

Power/light  
switch "ON"

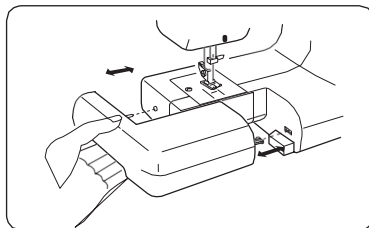
# SEZNÁMENÍ S VAŠÍM ŠÍCÍM STROJEM

## Šití na volném ramenu

Váš šicí stroj lze jednoduchou úpravou nastavit na šití na volném ramenu.

Pokud je pracovní stolek (box na příslušenství) nasazen na stroji, poskytuje velkou pracovní plochu. Pro odstranění pracovního stolku jej zatáhněte směrem doleva, dle obrázku. Pro nasazení nasuňte pracovní stolek na volné rameno, dokud nezaklapne na původní místo.

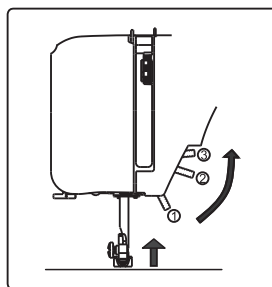
Šití na volném ramenu je vhodné na rukávy, nohavice, dětské oblečení, manžety a jiné hůře dostupné projekty.



## Páčka pro zdvih přítlačné patky

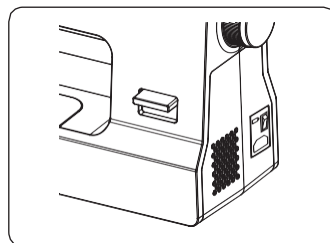
Přítlačná patka má 3 různé pozice.

1. Spusťte přítlačnou patku pro šití.
2. Zdvihněte páčku do středové pozice pro vložení nebo odstranění látky.
3. Zdvihněte do nejvyšší pozice pro výměnu přítlačné patky nebo vložení a odstranění silných vrstev materiálů.



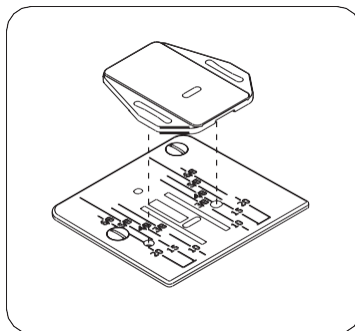
## Páčka zpětného chodu

Dokud budete páčku přidržovat stlačenou, stroj bude šít ve zpětném směru.



## Vyšivací destička

Při šití volným pohybem nebo přišívání knoflíků nasadte tuto destičku na stehovou desku podle obrázku vpravo.





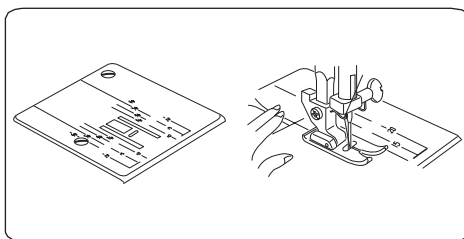
# KNOWING YOUR SEWING MACHINE

## Vodící švové linie

Čísla na stehové desce značí vzdálenost mezi jehlou ve středové pozici a danovou švovou linií.

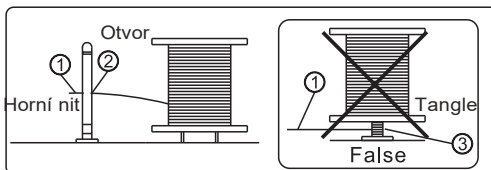
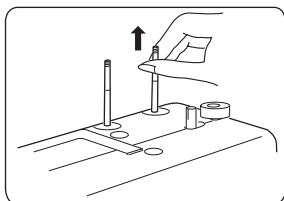
Čísla v přední části vyznačují vzdálenost v milimetrech.

Čísla v zadní části vyznačují vzdálenost v palcích.



## Nasazení niťových kolíků

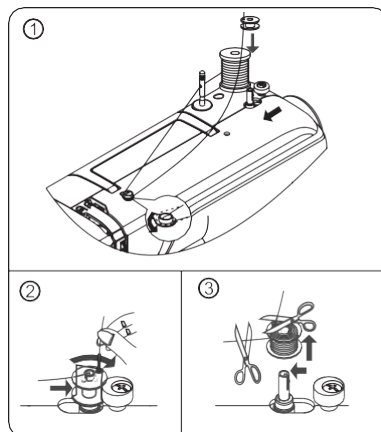
Niťové kolíky se používají pro zafixování špulky nití tak, aby byla nit správně podávána do stroje. Pokud chcete niťové kolíky použít, vytáhněte je nahoru. Před uložením stroje je stlačte dolů.



**POZNÁMKA: V případě, že používáte nit, která má tendenci se omotávat kolem niťového kolíku, provlékněte nit otvorem v niťovém kolíku, viz obrázek výše. Otvor by měl směřovat ke špulce nitě.**

## Navíjení cívky

1. Nasadíte špulku nitě na niťový kolík. Vytáhněte nit ze špulky, provlékněte ji otvorem v niťovém kolíku a vložte do vodiče nitě dle obrázku. Provlékněte konec nitě otvorem v cívce dle obrázku.
2. Zatlačte hřídel navíječe cívky do pozice vlevo, pokud se tam již nenachází. Nasadte cívku na hřídel navíječe tak, aby konec nitě navlečený v otvoru cívky byl nahoře. Zatlačte hřídel navíječe doprava, dokud nezaklapne. Přidržte konec nitě.
3. Spusťte stroj. Navíjení cívky se automaticky zastaví, jakmile je cívka plně navinutá. Zatlačte hřídel navíječe zpět doleva, odstraňte cívku a odstříhnete nit.

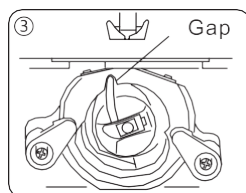
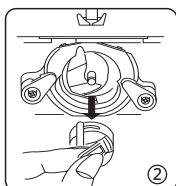
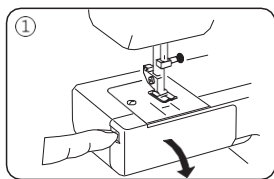


# SEZNÁMENÍ S VAŠÍM ŠÍCÍM STROJEM

## Odstranění nebo vložení cívkového pouzdra

1. Viz strana 4 pro odstranění pracovního stolku, zdvihněte jehlu otočením ručního kola směrem k sobě a poté otevřete kryt chapače.
2. Vyměňte cívkové pouzdro uchopení za západku.
3. Při vkládání cívkového pouzdra musí výčnělek na cívkovém pouzdru zapadnout do mezery v dráze chapače.

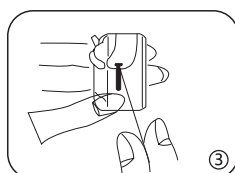
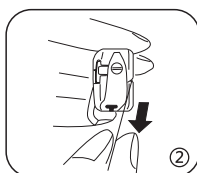
Ujistěte se, že jste odpojili přívodní kabel před vytažením pouzdra.



## Navlečení cívkového pouzdra

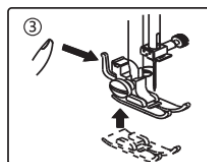
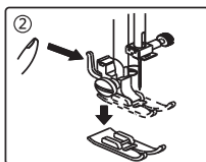
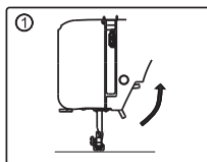
1. Vložte cívku do cívkového pouzdra. Ujistěte se, že se nit odvíjí ve směru šipky.
2. Provlékněte nit do drážky v cívkovém pouzdru, viz obrázek.
3. Poté provlékněte nit pod napínací pružinou a do podávacího očka.

**POZNÁMKA:** Ponechtejте asi 10cm (4 palce) nitě vyčnívajcí z cívkového pouzdra. Jakmile zatáhnete za nit, cívkové pouzdro by se mělo otáčet ve směru hodinových ručiček.



## Výměna přítlačné patky

1. Otočte ručním kolem k sobě pro zdvih jehly do nejvyšší polohy. Zdvihněte přítlačnou patku.
2. Stiskněte páčku v zadní části držáku patek. Přítlačná patka se uvolní a vypadne z držáku.
3. Umístěte přítlačnou patku tak, aby hřídelka na patce ležela přesně pod drážkou v držáku patek. Spusťte přítlačnou tyč pro zafixování patky do držáku.



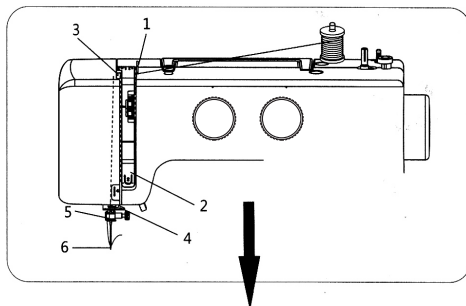
## Nasazení vodiče švů (k dokoupení)

Nasaďte vodič švů do výřezu v držáku patek, viz obrázek. Upravte jej do požadované vzdálenosti pro šití lemů, prošívání, apod.

# SEZNÁMENÍ S VAŠÍM ŠÍCÍM STROJEM

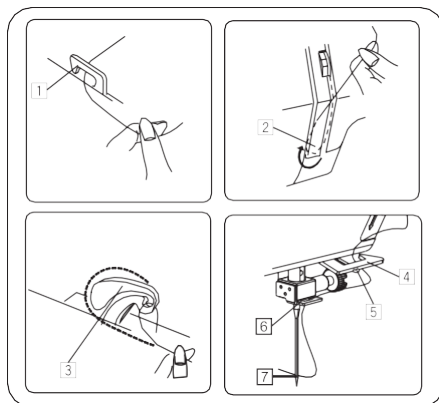
## Navlečení stroje

Zdvihněte nitovou páčku do nejvyšší pozice otáčením ručního kola k sobě. Zdvihněte přítlačnou patku. Nasadte špulku nitě na nitový kolík dle obrázku tak, aby nit vycházela ze zadní části špulky.



1. Navlékněte nit do vodiče oběma rukama.
2. Provlékněte nit dolů do napínače okolo držáku pružiny..
3. Pevně vytáhněte nit nahoru do oka nitové páčky směrem zprava doleva.
4. Poté vytáhněte nit dolů a provlékněte ji spodním vodičem nitě.
5. Nezapomínejte nit do pružiny pro dvojehlu.
6. Vytáhněte nit dolů a navlékněte ji do vodiče na jehelní tyči.
7. Provlékněte nit očkem jehly směrem zepředu dozadu.

**Poznámka: Odstrihněte konec nitě ostrými nůžkami pro snadnější navlečení do oka jehly.**

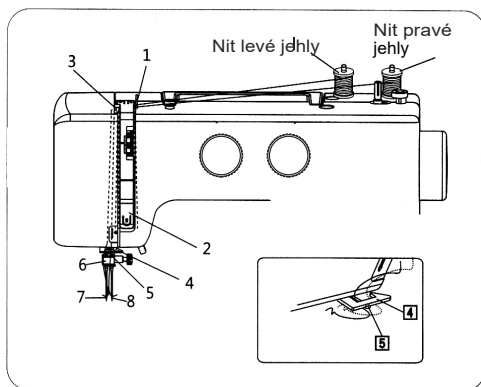


## Dvojehla

Jak navléci dvojehlu.

1. Použijte cívku pro navlečení levé jehly stejným způsobem, jako při běžném šití až po krok 4, poté zafixujte nit do pružiny pro dvojehlu viz bod 5 na obrázku vpravo. Nakonec navlékněte nit do oka levé jehly směrem zepředu dozadu.
2. Navlékněte pravou nit stejně, jako při navlékání běžné jehly krok za krokem až po krok 7.

**Poznámka: Nejdříve je třeba navléci levou jehlu a až poté pravou jehlu.**



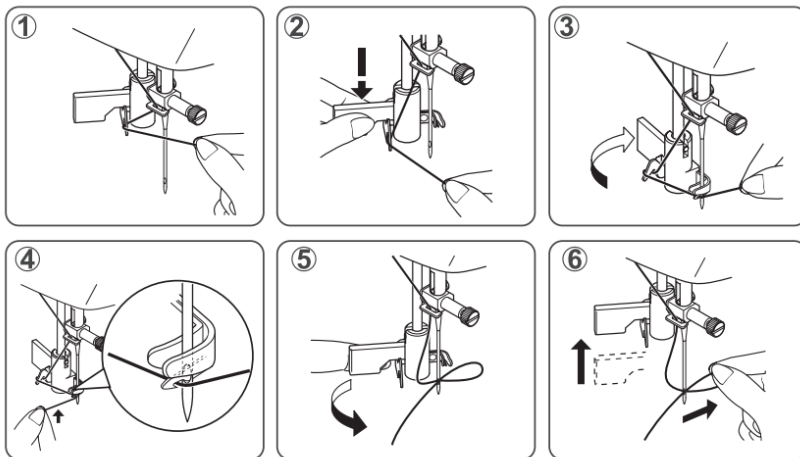
# SEZNÁMENÍ S VAŠÍM ŠICÍM STROJEM

## Použití automatického navlékače jehel

Zdvihněte jehlu do nejvyšší pozice otočením ručního kola směrem k sobě.

1. Zahákněte nit do vodiče nitě dle obrázku.
2. Spust'te dolů páčku, zatímco přidržíte konec nitě.
3. Otočte páčku směrem dozadu ke stroji.
4. Provlékněte nit do háčku na konci vodiče a pak ji vytáhněte nahoru.
5. Vraťte páčku navlékače zpět a háček projde očkem jehly a jehla bude navlečena.
6. Uvolněte páčku a vytáhněte nit vzadu za jehlou.

**POZNÁMKA: Pro hladké navlečení doporučujeme zvolit nastavení pro rovný steh, pokud chcete použít navlékač.**



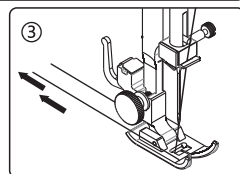
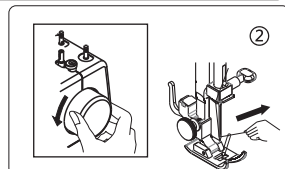
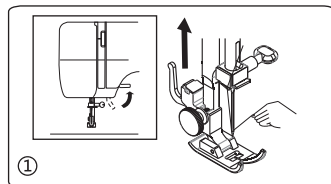
# SEZNÁMENÍ S VAŠÍM ŠICÍM STROJEM

## Vytažení spodní nitě

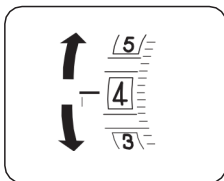
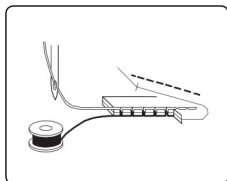
<D Zdvhňte přítlačnou patku a lehce přidržujte horní nit levou rukou.

@ Pravou rukou pomalu otáčejte ručním kolem směrem k sobě, dokud se jehla nespustí dolů a poté pokračujte v otáčení ručním kolem, dokud se nitěová páčka nedostane do nejvyšší pozice. Lehce vytáhněte horní nit, která vytvořila smyčku ze spodní nitě.

® Vytáhněte 15cm (6 palců) obou nití dozadu pod přítlačnou patkou.

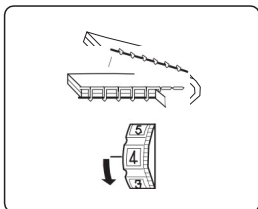


## Vyrovnění napětí horní nitě

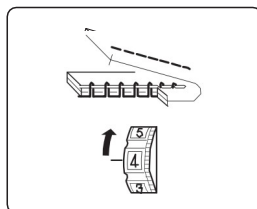


Horní nit a spodní nit by se měly provazovat mezi dvěma vrstvami látek u rovných švů.

Nastavte požadovanou hodnotu napětí horní nitě pomocí značky nastavení.



Zvyšte napětí horní nitě otočením a nastavením kolečka na vyšší hodnotu.



Snižte napětí horní nitě otočením a nastavením kolečka na nižší hodnotu.

**POZNÁMKA:** Abyste docílili do nejvzhlednějších cikcak stehů, měla by být horní nit lehounce slabší, než napětí spodní nitě. Což znamená, že bude horní nit lehce patrná na rubové straně látky, ale spodní nit nebude viditelná na lícové straně látky.

# SEZNÁMENÍ S VAŠÍM ŠICÍM STROJEM

## Tabulka jehel, nití a látek

Dle vaší látky je třeba vybrat jehlu a nit, kterými budete šít. Následující tabulka slouží jako praktický průvodce volbou jehel a nití dle šitého materiálu.

Před každým novým projektem nahlédněte do tabulky pro doporučení a ujistěte se, že používáte stejnou nit pro navlečení spodní i horní nitě.

Druh látky	Látka	Nitě	Velikost jehly
Lehká	krepdedšín, voál, organza, žoržet, trikot	jemné hedvábí , jemná bavlněná , jemná syntetická , PES	9 nebo 11
Středně silná	lůžkoviny, bavlna, piké, serž, dvojitý úplet, perkál	50 hedvábí, 50-80 bavlna , 50-60 syntetika 50-60 PES	11 nebo 14
Silná	denim, tvíd, gabardén, závěsy a čalouněnické látky.	50 hedvábí , 40-50 bavlna , 40-50 syntetika , 40-50 PES	14 nebo 16

## UPOZORNĚNÍ

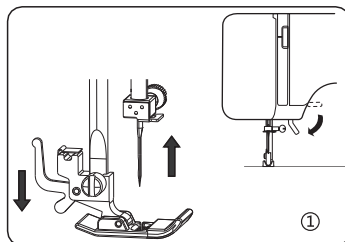
Vždy odpojte stroj z el. sítě, vytažením přívodního kabelu ze zásuvky.

## Výměna jehel

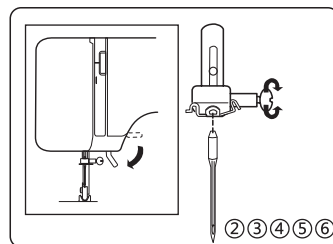
- Zdvihněte jehlu otočením ručního kola k sobě a spusťte přítlačnou patku.
- Odstraňte šroub jehelní svorky otáčením k sobě (proti směru hodinových ručiček) pro uvolnění jehly.
- Odstraňte jehlu z jehelní svorky.
- Vložte novou jehlu do jehelní svorky plochou stranou jehly dozadu - od sebe.
- Při vkládání jehly od svorky ji zatlačte co nejvíce nahoru.
- Utáhněte šroub jehelní svorky po směru hodinových ručiček pomocí šroubováku.

**POZNÁMKA:** Utáhněte pevně, ale nepřetáhněte.

**Pomocný tip:** Vložením kousku látky pod patku a spuštěním přítlačné patky usnadníte přístup k jehle a její výměnu a předejdete možnému upuštění jehly do otvoru ve stehové desce.

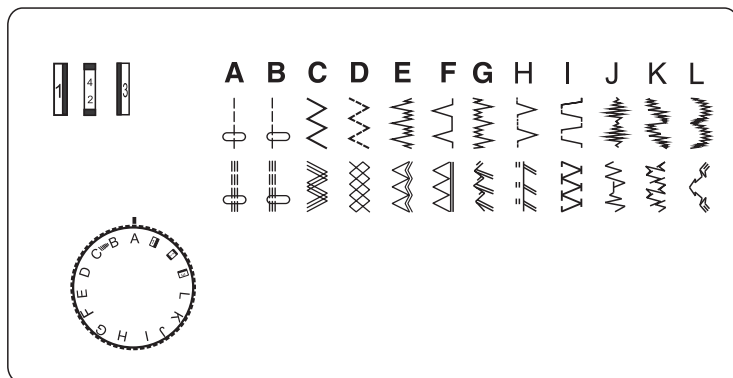


- Check your needles frequently for barbed or blunted points. Snags and runs in knits, fine silks and silk-like fabrics are permanent and are almost always caused by damaged needle.



# SEZNÁMENÍ S VAŠÍM ŠICÍM STROJEM

## Kolečko volby stehů

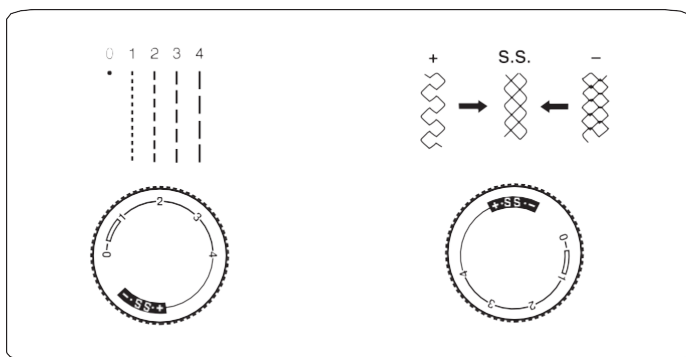


Zdvihněte jehlu nad látku a zvolte požadovaný vzor otočením kolečka pro volbu stehů příslušným číslem ke značce nastavení.

## Volba vzorů strečových stehů

Pokud chcete šít strečovými stehy, nastavte kolečko volby délky stehu na "SS". Pokud bude podávání vpřed a vzad nevyrovnané s ohledem na různé materiály, upravte ručně dle následujících pokynů.

Pokud jsou stehy stažené, upravte otočením kolečka směrem ke znaménku "+". Pokud jsou stehy uvolněné, upravte otočením kolečka směrem ke znaménku "-".



## Kolečko pro nastavení délky stehu

Čím vyšší je nastavená hodnota, tím delší je steh. Je možné zvolit vhodnou délku stehu pro většinu běžných materiálů.

# SEZNÁMENÍ S VAŠÍM ŠICÍM STROJEM

## Užitečné šicí tipy

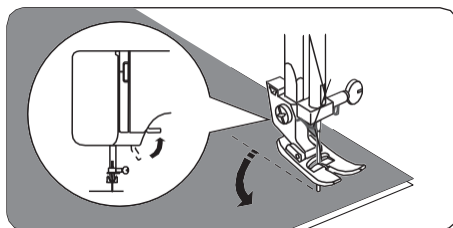
Je mnoho způsobů, jak dosáhnout lepších šicích výsledků, některé z nich jsou popsány níže v této kapitole.

### 1. Zkušební šití

Použijte různá nastavení délky a šířky stehu pro zkušební šití. Jakmile skončíte, proveďte porovnání a zvolte nejlepší vzhled stehu s použitím příslušného nastavení. Pro zkušební šití použijte kousek látky, kterou budete šít a také stejné nitě i jehlu, které budete pro svůj projekt používat. Pokud se výsledek šití liší v závislosti na druhu stehů, počtu šicích vrstev, proveďte zkušební šití za stejných podmínek, jaké bude mít váš budoucí projekt.

### 2. Změna směru šití

Zastavte stroj a otočte ručním kolem k sobě pro spuštění jehly do látky. Zdvihnete přítlačnou patku. Otočte látkou kolem jehly pro změnu směru šití. Spusťte přítlačnou patku a pokračujte v šití.



### 3. Šití křivek

- 1). Zastavte stroj a poté lehce změňte směr šití, abyste šili kolem křivky.
- 2). Jakmile šijete podél křivky s použitím cikcak stehu, nastavte nižší délku stehu pro docílení jemnějšího stehu.

### 4. Šití silných materiálů

**Pokud je složité umístit látku pod patku.**

Zdvihnete přítlačnou patku od extravysoké pozice, poté vložte látku pod přítlačnou patku. (viz strana 4 pro Zdvih přítlačné patky.)

### 5. Šití pružných látek nebo látek, na kterých vynechávají stehy

Použijte jehlu s obým hrotem, která je určena na šití pružných látek a nastavte vyšší hodnotu délky stehu. Pokud je to nutné, přidejte jednu vrstvu látky nebo výztuhy pro lepší výsledek šití.

### 6. Šití jemných materiálů nebo hedvábí

Pokud šijete tenké materiály nebo hedvábí, může docházet k vynechávání stehů nebo k nesprávnému podávání látky. V takovém případě použijte při šití výztuhu pro lepší výsledek.

### 7. Šití pružných látek

Nejdříve přistehujte obě části látek k sobě a poté šijte látky bez natahování.

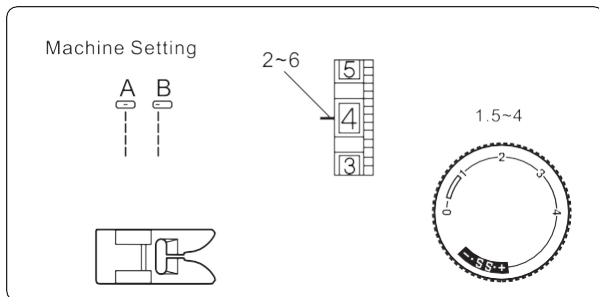
### 8. Šití na volném ramenu

Pokud šijete tubulární oděvy nebo hůře přístupné části, použijte funkci šití na volném ramenu. (pro více detailů viz strana 4).



# UŽITKOVÉ STEHY

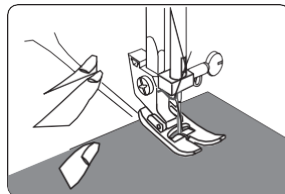
## Rovný steh



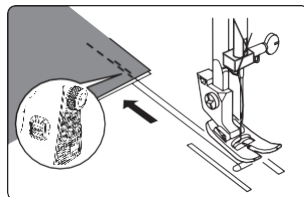
Zdvihněte přítlačnou patku a umístěte látku podél švové vodící linie na stehové desce.

Spusťte jehlu do látky.

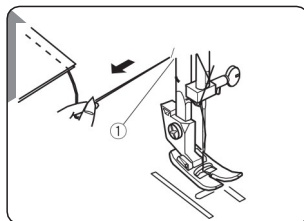
Spusťte přítlačnou patku a obě nitě položte dozadu za patku. Sešlápněte pedál. Lehce ved'te látku podél švové linie, nechejte stroj přirozeně podávat látku.



Pro zajištění konců švů stiskněte páčku zpětného chodu a ušijte několik stehů zpět. Zdvihněte přítlačnou patku a odstraňte látku vytažením dozadu za patku a poté zpět do ořezu nití.



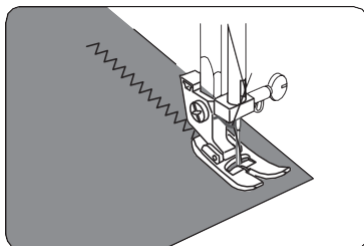
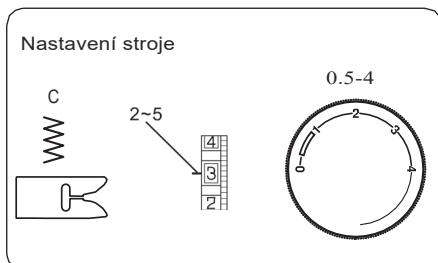
Nitě jsou oříznuty na správnou délku vhodnou pro zahájení dalšího šití.



# UŽITKOVÉ STEHY

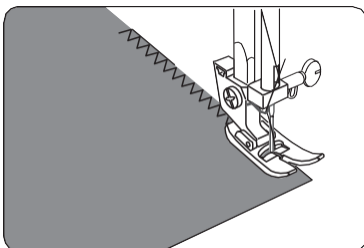
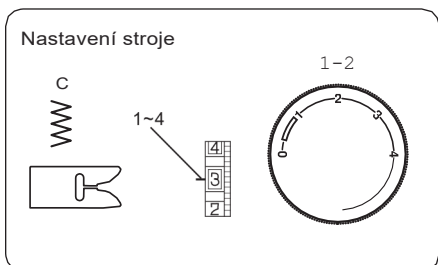
## Cikcak steh

Jednoduchý cikcak steh je široce využíván pro obrubování , přišívání knoflíků, atd.



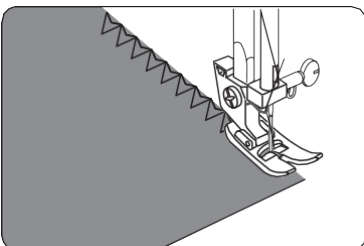
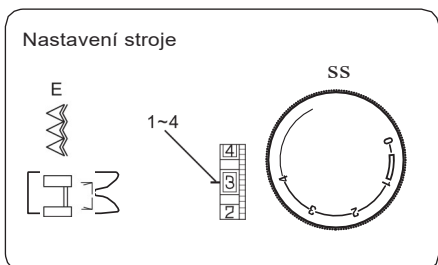
## Overlockový steh

Tento druh stehu se používá na sešívání švů a zaobroubení v jednom kroku, aby se předešlo páření hran švů.



## Obrubovací steh

Obrubovací steh má nejlepší výsledek, pokud jehla při pohybu vpravo prochází mimo látku a pouze začištuje její okraj.

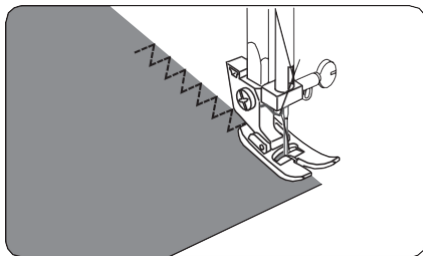
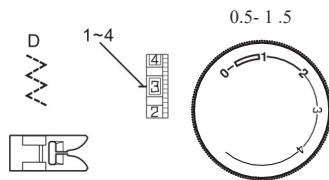


# UŽITKOVÉ STEHY

## Trikotový steh

Umístěte látku pod přítlačnou patku tak, aby hrana látky byla lehce uvnitř pod pravou stranou přítlačné patky. Veděte látku tak, aby stehy po pravé ruce procházely za hranou látky.

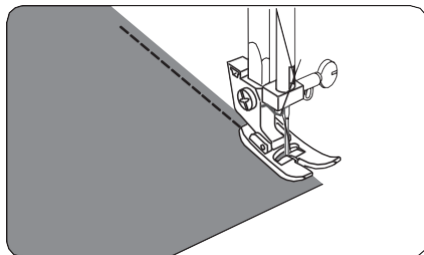
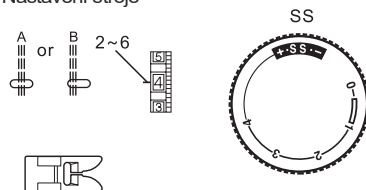
Nastavení stroje



## Trojítý silný steh

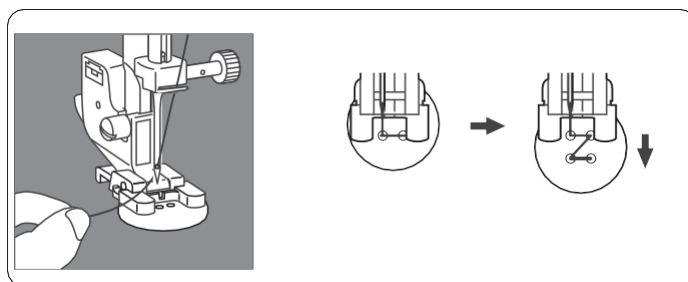
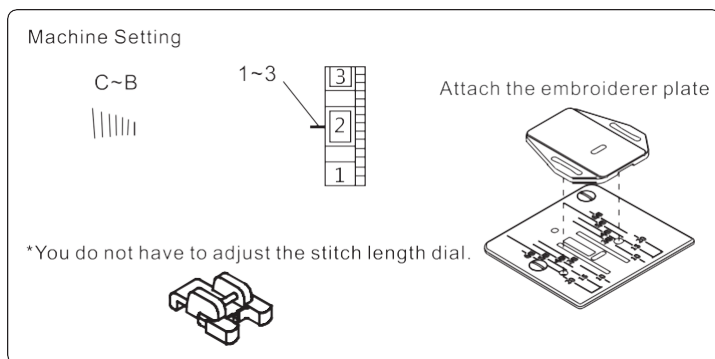
Steh je tvořen vždy dvěma stehy vpřed a jedním vzad a tím dochází k vytvoření velmi pevného a odolného švu. Oděvy je dobré před sešitím přistehovat.

Nastavení stroje



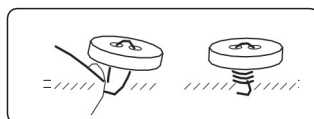
# UŽITKOVÉ STEHY

## Přišívání knoflíků



Umístěte látku a knoflík pod přítlačnou patku. Otáčejte ručním kolem, abyste se ujistili, že jehla prochází oběma dírkami knoflíku - levou i pravou. Pokud je to třeba, upravte nastavení šířky stehu. Ušijte 10 stehů napříč.

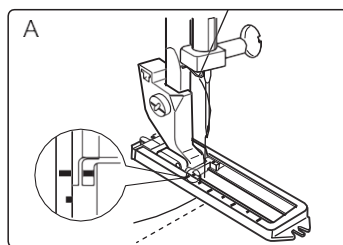
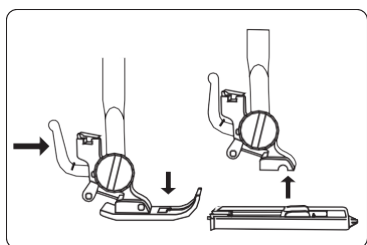
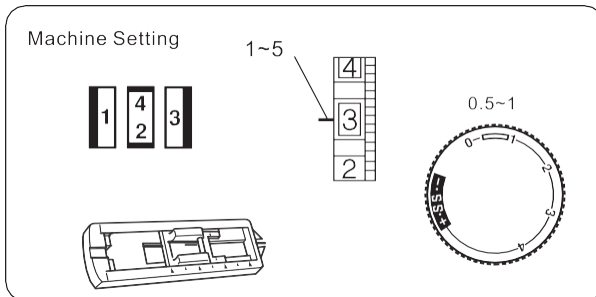
Při přišívání knoflíků se 4 dírkami ušijte nejdříve dvě dírky blíže k sobě. Poté posuňte knoflík tak, aby jehla procházela dalšími dvěma dírkami knoflíku a přišijte jej stejným způsobem.



Pro zajištění konce nitě odstříhnete horní nit, ponechte asi 25 cm přesah, otočte ji kolem nitě pod knoflíkem a poté pevně zavažte, můžete použít i jehlu na ruční šití a protáhnout konec nitě na rubovou stranu oděvu.

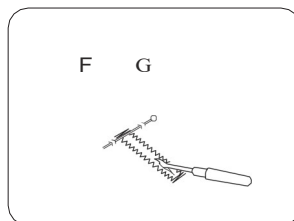
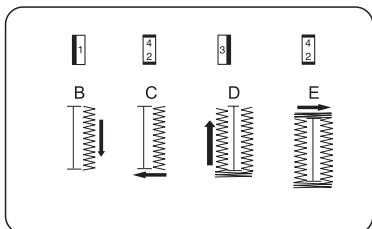
# UŽITKOVÉ STEHY

## Steh pro šití knoflíkové dírky



Nasaďte patku na šití knoflíkových dírek.  
 \*Před ušitím konečné verze knoflíkové dírky nejdříve proveďte zkušební šití na kousek látky, kterou budete šít.  
 \*Na pružné látky použijte výztuhu.

A. Zvolte **EI**, vytáhněte obě nitě doleva pod patkou.  
 Umístěte látku pod přítlačnou patku.



B. Spustte jehlu do počátečního bodu šití. Poté spustte knoflíkovou patku. Ušijte levou stranu knoflíkové dírky a zastavte stroj.

C. Zdvihněte jehlu do nejvyšší pozice otočením ručního kolečka, poté zvolte **liJ**.

D. Zdvihněte jehlu do nejvyšší pozice a zvolte a zvolte **EI** ušijte pravou stranu knoflíkové dírky o stejné délce, jako je levá strana a zastavte stroj.

E. Zdvihněte jehlu a zvolte **liJ**, a ušijte pět ryglovacích stehů.

F. Zdvihněte přítlačnou patku a odstraňte látku ze stroje, odstříhnete spodní i horní nit, ponechejte

asi 10cm dlouhé konce nití, horní nit protáhněte jehlu na ruční šití na rubovou stranu látky a svažte oba konce nití k sobě. K prostrižení knoflíkové dírky použijte páráček.

# UŽITKOVÉ STEHY

## Steh pro knoflíkovou díрку

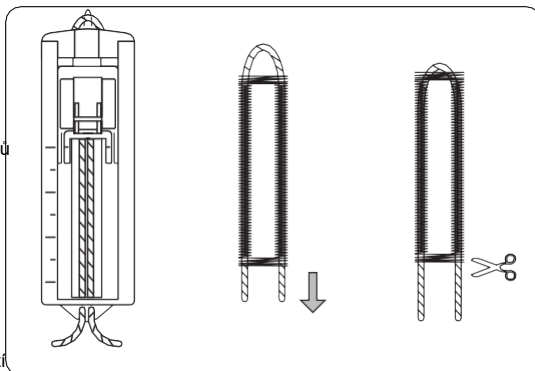
Tipy:

Lehce snižte napětí horní nitě pro dosažení lepších výsledků šití.

Na strečové nebo jemné látky použijte výztuhu. Doporučujeme do ryglovacích stehů zapíchnout špendlíky, jako prevenci před poškozením stehů páráčkem.

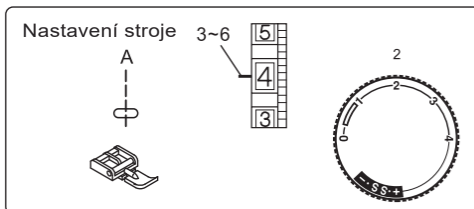
Při šití knoflíkových dírek na pružných nebo jemných materiálech doporučujeme použít provázek na výztužení.

Cikcaková část knoflíkové dírky bude šita přes tento provázek. Linie na patce na knoflíkové dírky lze použít jako vodiče při šití více knoflíkových dírek o stejné délce.



1. Zdvihněte přítlačnou patku, protáhněte provázek patkou, dle obrázku a zahákněte je kolem výčnělku v zadní části patky.
2. Vytáhněte provázek pod patkou směrem dopředu.
3. Provázek je třeba pevně fixovat kolem přední části patky.
4. Spusťte jehlu dolů do počátečního bodu šití, spusťte přítlačnou patku.
5. Ušijte knoflíkovou díрку dle postupu na straně 17.
6. Zatáhněte za provázek, aby nebyl uvolněný.
7. Odstráňte přesahující konce provázku.

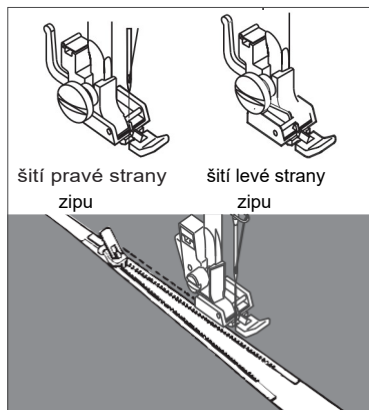
## Přišívání zipů



Nasaďte zipovou patku.

Pokud šijete pravou stranu zipu, nasaďte zipovou patku dle obrázku na její levou část.

Pokud šijete levou stranu zipu, nasaďte zipovou patku na její pravou část. Viz obrázek.



### Pomocné tipy:

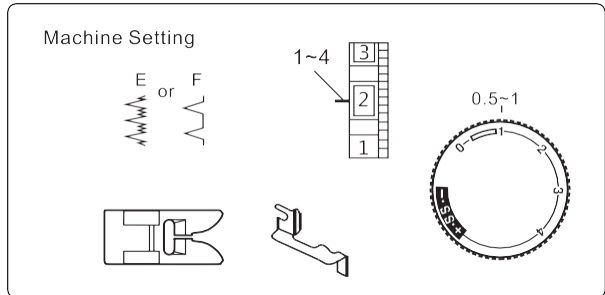
**Při všívání zipů se ujistěte, že jehla nepřichází do kontaktu se zoubky zipu. Mohlo by dojít k jejimu poškození.**

# UŽITKOVÉ STEHY

## Slepý steh

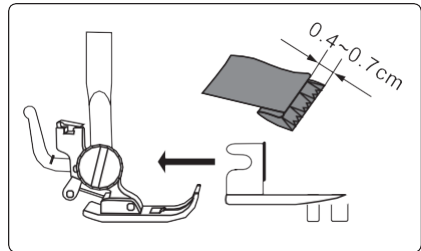
### Pomocný tip:

Před nasazením patky s vodičem navlékněte jehlu.

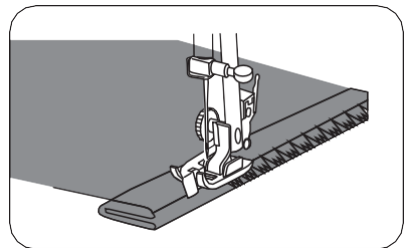


Přeložte látku dle obrázku vpravo.

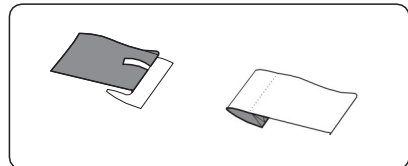
Spusťte přítlačnou patku, poté uvolněte šroubek držáku patky pro vložení vodiče mezi šroubek a držák. Utáhněte šroubek, ujistěte se, že se vodič nachází uprostřed mezi oběma nožkami přítlačné patky.



Zdvihněte přítlačnou patku a umístěte látku pod patku tak, aby byl záhyb na látce přiložen k vodiči, viz obrázek. Spusťte přítlačnou patku, poté pomalu šijte pro lepší kontrolu, kudy procházejí cikcak stehy, je třeba, aby procházely velmi těsně hranou přeloženého záhybu. Při šití vedte látku a lem podél vodiče na patce.

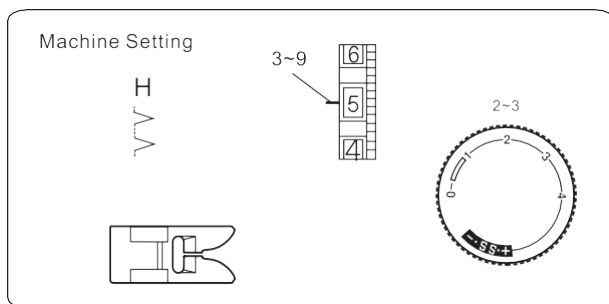


Rozložte látku naplocho, lícovými stranami nahoru.

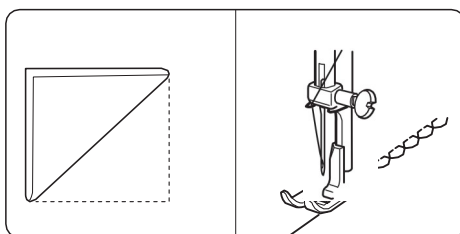


# DEKORATIVNÍ STEHY

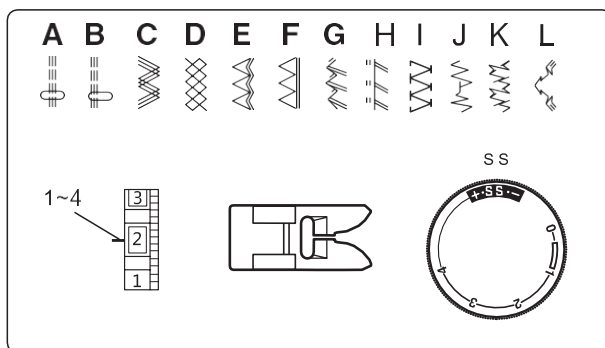
## Lasturový steh



Umístěte přeloženou hranu látky podél výřezu na patce. Jehla by měla při pohybu vpravo procházet mimo přeloženou hranu látky a vytvářet obloučky.



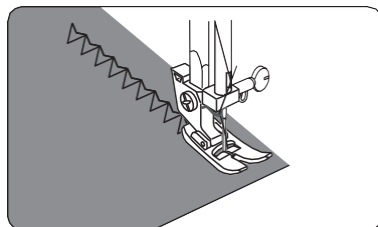
## Pružné stehy



Jakmile se podávání látky vpřed a vzad stane nevyrovnaným s ohledem na použitý druh látky, upravte vzhled stehu otočením kolečka pro nastavení délky stehu následovně:

Pokud jsou stehy stažené, otočte kolečko nastavení délky stehu směrem ke znaménku "+".

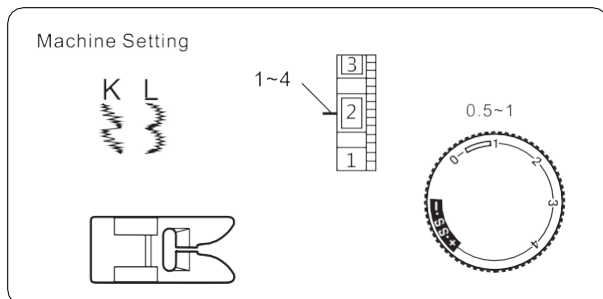
Pokud jsou stehy uvolněné, otočte kolečko pro nastavení délky stehu směrem ke znaménku "-".



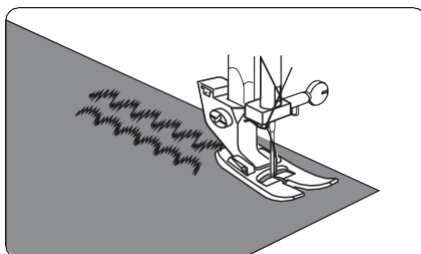


# DEKORATIVNÍ STEHY

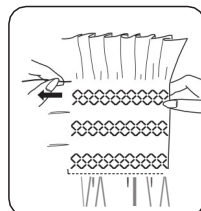
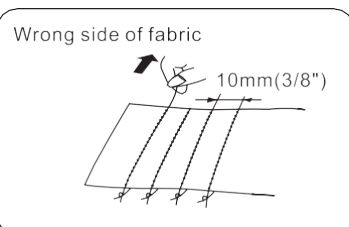
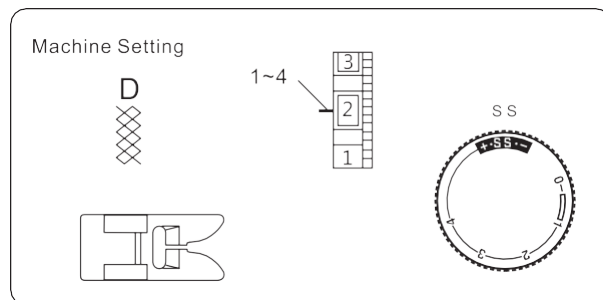
## Dekoratívni saténový steh



Šijte paralelní řady stehů a upravte nastavení napětí nitě tak, aby byla horní nit viditelná na rubové straně látky. Proveďte zkušební šití na zvláštní kousek látky, kterou chcete použít.



## Nabírání



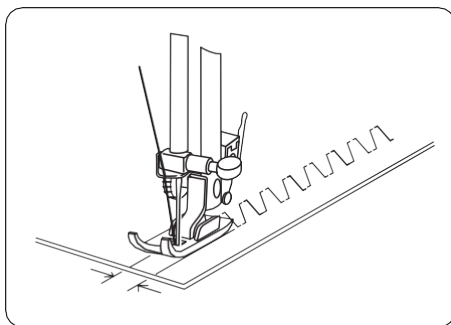
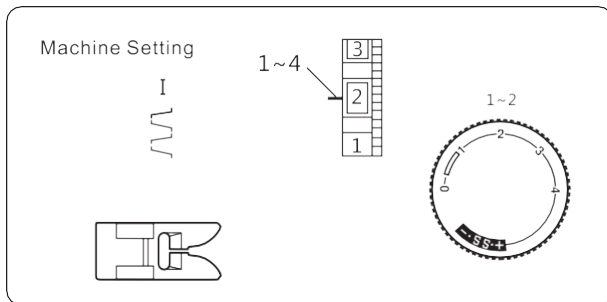
S délkou stehu nastavenou na hodnotu "4" ušijte paralelní řady stehů ve vzdálenosti 1 mm ( 3/8 palců) od sebe napříč látkou v místě, které chcete našít. Na jednom konci svažte nitě k sobě a na druhém konci zatáhněte za spodní nit a vytvořte nabírání, rozmístěte je pravidelně po celé délce. Zajistěte nitě i na druhém konci. Šijte dekorativní nabírací stehy napříč přes látku, mezi řadami rovných stehů. Vypárejte rovné stehy.

POZNÁMKA: Pro usnadnění nabírání uvolněte napětí horní nitě.

# DEKORATIVNÍ STEHY

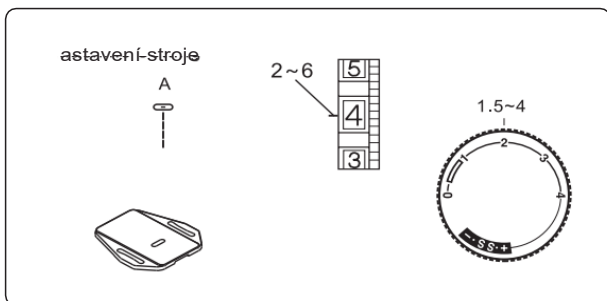
## Boxový steh

Tento steh se používá pro sešití silných a těžkých látek. Přiložte k sobě dvě části látek hranami přes sebe a sešijte je tímto stehem k sobě.



## Volné šití

Tento steh se používá pro volné šití se zakrytým podavačem, například quiltování, prošívání, látání, apod.

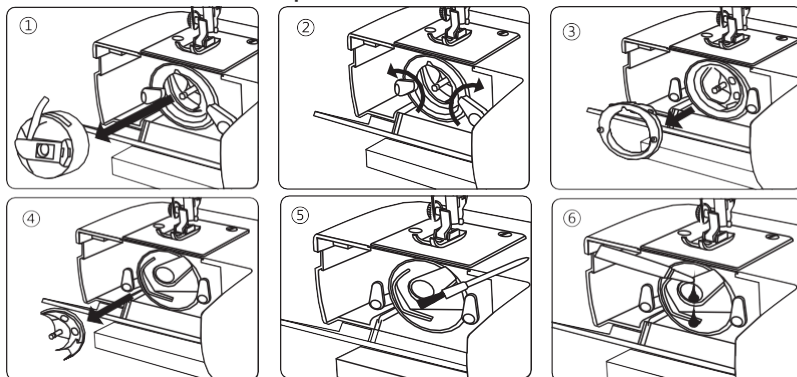


Poznámka: Odstraňte přítlačnou patku a držák patek před zahájením šití.

# PÉČE A ÚDRŽBA

## Rozebrání a složení dráhy chapače

Jak rozebrat a namazat dráhu chapače



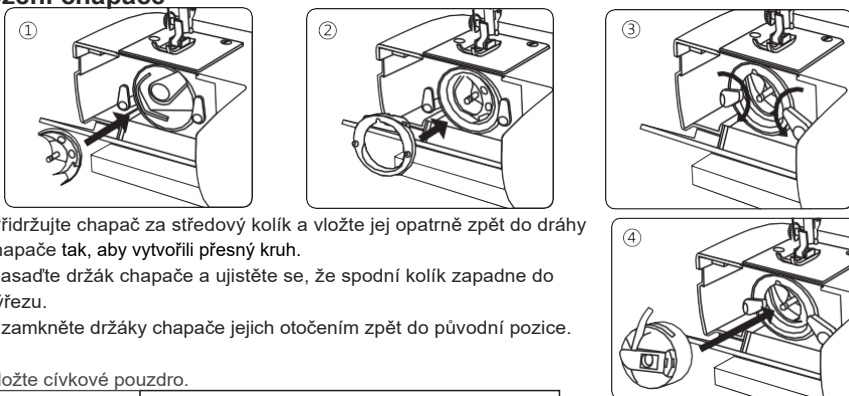
Zdvihněte jehlu do nejvyšší pozice otočením ručního kola k sobě a otevřete kryt chapače.

1. Otevřete sklopenou západku na cívkovém pouzdru a vyjměte je ze stroje.
2. Otevřete západky držáku chapače.
3. Odstraňte držák chapače.
4. Odstraňte chapač.
5. Vyčistěte dráhu chapače kartáčkem a suchým a jemným hadříkem.
6. Před složením chapače použijte olej k promazání dráhy chapače, kapněte pár kapek kvalitního oleje určeného pro šicí stroje.

### Poznámka:

1. Olej používejte velmi střídavě, aby nedošlo k potřísnění stroje a následně i látek při šití.
2. V případě, že stroj nešíje hladce poté, co jste jej delší dobu nepoužívali, aplikujte několik kapek oleje na mazací bod a nechte stroj asi minutu šít rychle naprázdno.
3. Pokud stroj pracuje více než 4-8 hodin nebo vydává nezvyklý zvuk, aplikujte 2-3 oleje na mazací bod.

## Složení chapače



1. Přidržíte chapač za středový kolík a vložte jej opatrně zpět do dráhy chapače tak, aby vytvořili přesný kruh.
2. Nasadíte držák chapače a ujistěte se, že spodní kolík zapadne do výřezu.
3. Uzamkněte držáky chapače jejich otočením zpět do původní pozice.
4. Vložte cívkové pouzdro.

### Upozornění

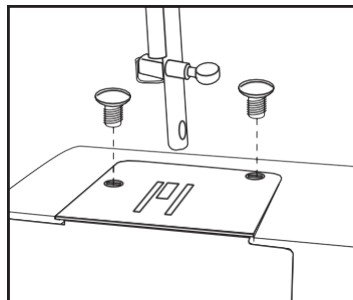
Před prací s chapačem a mazáním se ujistěte, že jste stroj odpojili z el. sítě.

# PÉČE A ÚDRŽBA

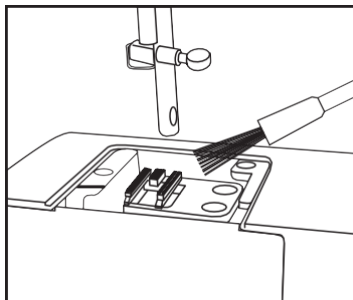
## Čištění podávacích zoubků

Odstraňte jehlu a přítlačnou patku.

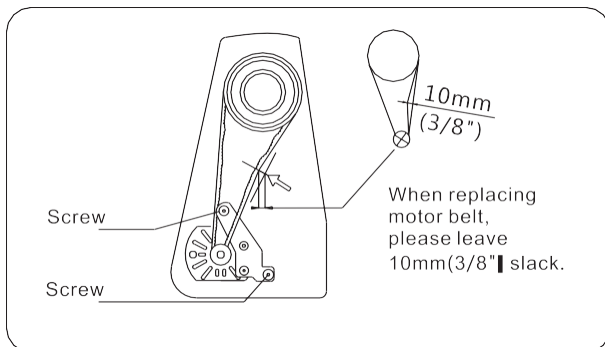
Odstraňte šroubky stehové desky a poté i stehovou desku.



Pomocí kartáčku očistěte podavač od prachu a nití, které se zde mohou při šití hromadit. Znovu nasadte stehovou desku.



## Napětí hnacího řemene



Pro upravení napětí hnacího řemene odstraňte kryt řemene a uvolněte upevňovací šroubku - asi jedno otočení pomocí šroubováku. Tím umožníte posunout motor dolů nebo nahoru. Poté znovu pevně utáhněte šrouby, ujistěte se, že má řemen správné napětí.

**UPOZORNĚNÍ:** Neutahujte řemen příliš pevně.

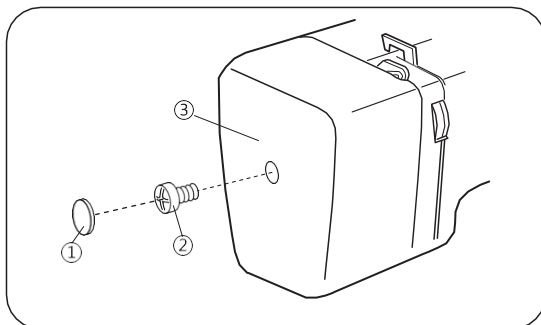
**Upozornění**

Ujistěte se, že jste před úpravou napětí řemene odpojili stroj z el. sítě.

# PÉČE A ÚDRŽBA

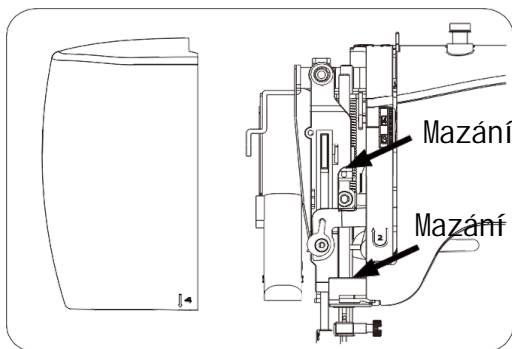
## Mazání stroje

1. Víčko šroubu čelního krytu
2. Šroub čelního krytu
3. Čelní kryt



## Odstraňte čelní rkyt

1. Šroub čelního krytu
2. Čelní kryt



Aplikujte několik kapek kvalitní oleje pro šití stroje na mazací bod, vyznačen šipkami na obrázku. Pro stroje, které šijí velmi často, je třeba provádět mazání 2 - 3 krát za rok.

V případě, že stroj nešije hladce, delší dobu nebyl používán, aplikujte několik kapek oleje na mazací bod a spusťte stroj vysokou rychlostí po dobu asi 1 minuty.

Před prováděním mazání oťřete všechny mazací body.

### Upozornění

Ujistěte se, že jste před prováděním mazání odpojili stroj z el. sítě.

# PROBLÉMY PŘI ŠITÍ

Problém	Příčina	Řešení
Horní nit se trhá	<ol style="list-style-type: none"> <li>1. Horní nit není správně navlečena.</li> <li>2. Je nastaveno příliš vysoké napětí nitě.</li> <li>3. Jehla je tupá nebo ohnutá.</li> <li>4. Jehla není správně nasazena v jehelní svorce</li> <li>5. Při zahájení šití nebyly nitě položeny správně pod přitlačnou patkou směrem dozadu.</li> <li>6. Nit je nekvalitní nebo nevhodná.</li> </ol>	<ol style="list-style-type: none"> <li>1. Znovu navlékněte horní nit. (viz strana 7)</li> <li>2. Upravte napětí horní nitě (viz strana 9.)</li> <li>3. Použijte novou jehlu. (viz strana 10.)</li> <li>4. Znovu upevněte jehlu. (viz strana 7)</li> <li>5. Proper operation. (Refer to page 7, 9.)</li> <li>6. Použijte správnou nit. (viz strana 10)</li> </ol>
Spodní nit se trhá	<ol style="list-style-type: none"> <li>1. Spodní nit není správně navlečena v cívkovém pouzdru</li> <li>2. V dráze chapače se zachytila nit/nitě.</li> <li>3. Cívka je poškozená a neotáčí se hladce.</li> </ol>	<ol style="list-style-type: none"> <li>1. Znovu navlékněte nit do cívkového pouzdra. (viz strana 9)</li> <li>2. Vyčistěte dráhu chapače. (viz strana 23.)</li> <li>3. Vyměňte cívku. (viz strana 6.)</li> </ol>
Jehla se láme	<ol style="list-style-type: none"> <li>1. Nesprávné upevnění jehly.</li> <li>2. Jehla je tupá nebo ohnutá.</li> <li>3. Šroub jehelní svorky je uvolněný.</li> <li>4. Napětí nitě je příliš vysoké.</li> <li>5. Jehla je příliš tenká.</li> </ol>	<ol style="list-style-type: none"> <li>1. Znovu nasadte jehlu. (viz strana 10.)</li> <li>2. Vyměňte jehlu. (viz strana 10.)</li> <li>3. Utáhněte šroub jehelní svorky.</li> <li>4. Upravte napětí nitě. (viz strana 9.)</li> <li>5. Nasadte správnou jehlu (viz strana 10.)</li> </ol>
Stehy vynechávají	<ol style="list-style-type: none"> <li>1. Nesprávné upevnění jehly.</li> <li>2. Jehla je tupá nebo ohnutá.</li> <li>3. Jehla a/nebo nit není vhodná pro šitý materiál.</li> <li>4. Horní nit není správně navlečena.</li> </ol>	<ol style="list-style-type: none"> <li>1. Znovu nasadte jehlu (viz strana 10.)</li> <li>2. Vyměňte jehlu (viz strana 10.)</li> <li>3. Použijte správnou jehlu a nit (viz strana 10.)</li> <li>4. Proveďte znovu navlečení horní nitě. (viz strana 7.)</li> </ol>
Švy se krčí	<ol style="list-style-type: none"> <li>1. Napětí nitě je příliš vysoké.</li> <li>2. Horní nit není správně navlečena.</li> <li>3. Nit je příliš silná pro šitý materiál.</li> </ol>	<ol style="list-style-type: none"> <li>1. Upravte napětí nitě (viz strana 9.)</li> <li>2. Proveďte znovu navlečení horní nitě (viz strana 7.)</li> <li>3. Použijte vhodnou nit (viz strana 10.)</li> </ol>
Stroj nepodává hladce	<ol style="list-style-type: none"> <li>1. V podavači se nahromadil prach</li> <li>2. V podavači se zasekly nitě.</li> </ol>	<ol style="list-style-type: none"> <li>1. Vyčistěte podavač (viz strana 24.)</li> <li>2. dtto</li> </ol>
Stroj nefunguje	<ol style="list-style-type: none"> <li>1. Zkontrolujte správné připojení do zásuvky.</li> <li>2. V dráze chapače jsou namotané nitě.</li> <li>3. Zkontrolujte, zda je hřídel navíječe zpět v původní pozici po navijení cívek.</li> </ol>	<ol style="list-style-type: none"> <li>1. Zkontrolujte síťový konektor (viz strana 3.)</li> <li>2. Vyčistěte dráhu chapače (viz strana 23)</li> <li>3. Posuňte hřídel navíječe cívek zpět doleva. (viz strana 5.)</li> </ol>
Nitě se zasekávají	<ol style="list-style-type: none"> <li>1. Při zahájení šití nebyla spuštěná přitlačná patka.</li> <li>2. Horní nit není správně navlečena.</li> <li>3. Spodní nit není správně navlečena.</li> </ol>	<ol style="list-style-type: none"> <li>1. Spustte přitlačnou patku pomocí páčky (viz strana 4.)</li> <li>2. Proveďte znovu navlečení horní nitě (viz strana 7.)</li> <li>3. Proveďte znovu navlečení spodní nitě. (viz strana 9.)</li> </ol>

# WYMOGI BEZPIECZEŃSTWA

Podczas korzystania z urządzenia elektrycznego należy zawsze przestrzegać podstawowych zasad bezpieczeństwa, w tym poniższych.

Przed rozpoczęciem korzystania z maszyny do szycia należy przeczytać wszystkie instrukcje.

**UWAGA** -- W celu uniknięcia porażenia prądem należy:

1. Nie wolno używać maszyny jako zabawki. Gdy maszyna do szycia jest używana przez dzieci lub w ich pobliżu, należy zachować szczególną ostrożność.
2. To urządzenie może być używane przez dzieci w wieku od 8 lat i starsze oraz osoby o ograniczonych zdolnościach fizycznych, sensorycznych lub umysłowych lub nieposiadające doświadczenia i wiedzy, jeśli są one nadzorowane lub zostały poinstruowane w zakresie korzystania z urządzenia w bezpieczny sposób i rozumieją związane z tym zagrożenia. Dzieci nie powinny bawić się urządzeniem. Czyszczenie i konserwacja nie mogą być wykonywane przez dzieci bez nadzoru.
3. Maszyny do szycia należy używać wyłącznie zgodnie z jej przeznaczeniem opisanym w niniejszej instrukcji. Należy używać wyłącznie osprzętu zalecanego przez producenta i opisanego w niniejszej instrukcji.
4. Nigdy nie używaj maszyny do szycia, jeśli ma uszkodzony przewód lub wtyczkę, jeśli nie działa prawidłowo, jeśli została upuszczona, uszkodzona lub wpadła do wody. Maszynę do szycia należy oddać do najbliższego autoryzowanego sprzedawcy lub centrum serwisowego w celu sprawdzenia, naprawy, regulacji elektrycznej lub mechanicznej.
5. Nigdy nie używaj maszyny do szycia z zablokowanymi otworami wentylacyjnymi. Otwory wentylacyjne maszyny do szycia i sterownika nożnego powinny być wolne od kłaczek, kurzu i luźnych tkanin.
6. Nigdy nie upuszczaj ani nie wkładaj żadnych przedmiotów do otworów.
7. Nie używać na zewnątrz.
8. Nie używać w miejscach, w których stosowane są produkty w aerozolu lub gdzie podawany jest tlen.
9. Aby odłączyć urządzenie, należy ustawić przełącznik w położeniu wyłączenia ("O"), a następnie wyjąć wtyczkę z gniazdka.
10. Nie odłączaj urządzenia ciągnąc za przewód. Aby odłączyć urządzenie, należy chwycić wtyczkę, a nie przewód.
11. Trzymaj palce z dala od wszystkich ruchomych części. Należy zachować szczególną ostrożność w pobliżu igły.
12. Nigdy nie szyc z uszkodzoną płytką igły, ponieważ może to spowodować złamanie igły.
13. Nie używać wygiętych igieł.
14. Nie ciągnąć ani nie popychać materiału podczas szycia. Może to spowodować odchylenie igły i jej złamanie.
15. Wyłącz maszynę do szycia ("O") podczas wykonywania jakichkolwiek regulacji w obszarze igły, takich jak nawlekanie igły, zmiana igły, nawlekanie szpulki lub zmiana stopki itp.
16. Zawsze odłączaj maszynę do szycia od gniazdka elektrycznego podczas zdejmowania pokryw, smarowania lub wykonywania innych czynności serwisowych.
17. Aby uniknąć obrażeń, należy zwrócić uwagę na następujące kwestie:
  - wyłączyć lub odłączyć urządzenie, gdy pozostawia się je bez nadzoru;
  - odłączyć urządzenie od zasilania przed przystąpieniem do konserwacji lub wymiany lamp.

**UWAGA**-- Ruchome części - aby zmniejszyć ryzyko obrażeń, przed przystąpieniem do serwisowania należy wyłączyć urządzenie.

## ZACHOWAJ TE INSTRUKCJE

Ten produkt jest przeznaczony do użytku domowego lub równoważny.

**To urządzenie jest zgodne z dyrektywą EEC 2004/108/EC dotyczącą kompatybilności elektromagnetycznej.**



Należy pamiętać, że w przypadku utylizacji niniejszy produkt musi zostać poddany bezpiecznemu recyklingowi zgodnie z odpowiednimi przepisami krajowymi dotyczącymi produktów elektrycznych/elektronicznych. W razie wątpliwości należy skontaktować się ze sprzedawcą w celu uzyskania wskazówek.





# SPIS TREŚCI

## 1. PODSTAWOWE INFORMACJĘ

NAZWY CZĘŚCI	2
AKCESORIA	3
KONFIGURACJA URZĄDZENIA	3
PODŁĄCZENIE MASZYNY DO PRĄDU	3
WŁĄCZNIK LAMPKI/ZASILANIA	3
SZYCIE NA OKRĄGŁO (WOLNE RAMIĘ)	4
PODNOSENIE STOPKI	4
DŹWIGNIA SZYCIA WSTECZ	4
PŁYTKA ŚCIEGOWA DO HAFTU	4
OZNACZENIA NA PŁYTCIE ŚCIEGOWEJ	5
STOJAKI NA NICI	5
NAWIJANIE NICI NA SZPULKĘ	5
WYMIANA BĘBENKA	6
ZAKŁADANIE SZPULKI W BĘBENKU	6
WYMIANA STOPKI	6
MOCOWANIE PROWADNIKA (OPCJONALNIE)	6
NAWLEKANIE NITKI GÓRNEJ	7
PODWÓJNA IGŁA	7
NAWLEKANIE IGŁY	8
WYCIĄGANIE NICI ZE SZPULKI	9
REGULACJA NAPRĘŻENIA NICI GÓRNEJ	9
TABELA DOBORU NICI I IGIEŁ DO SZYTEGO MATERIAŁU	10
WYMIANA IGŁY	10
WYBÓR ŚCIEGU	11
WYBÓR ŚCIEGÓW ELASTYCZNYCH	11
REGULACJA DŁUGOŚCI ŚCIEGU	11
PRZYDATNE PORADY	12

## 2. ŚCIEGI PODSTAWOWE

SZYCIE ŚCIEGIEM PROSTYM	13
ŚCIEGI ZYGZAKOWE	14
SZYCIE ŚCIEGIEM KRYTYM	14
Overedge Stitch	14
Tricot Stitch	15
ŚCIEG POTRÓJNY PROSTY	15
PRZYSZYWANIE GUZIKÓW	16
OBSZYWANIE DZIUREK	17
PRZYSZYWANIE ZAMKÓW BŁYSKAWICZNYCH	18
SZYCIE ŚCIEGIEM KRYTYM	19

## 3. ŚCIEGI DEKORACYJNE

ŚCIEG MUSZELKOWY	20
STRETCH STITCH	20
ŚCIEGI DEKORACYJNE (SATYNOWE)	21
MARSZCZENIE	21
ŚCIEG TYPU "BOX"	22
SWOBODNY ŚCIEG	22

## 4. KONSERWACJA MASZYNY

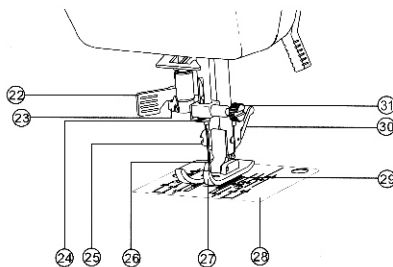
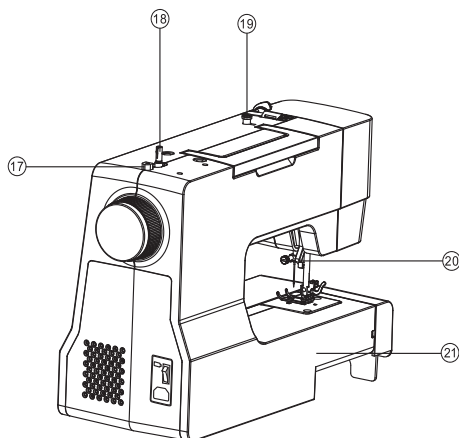
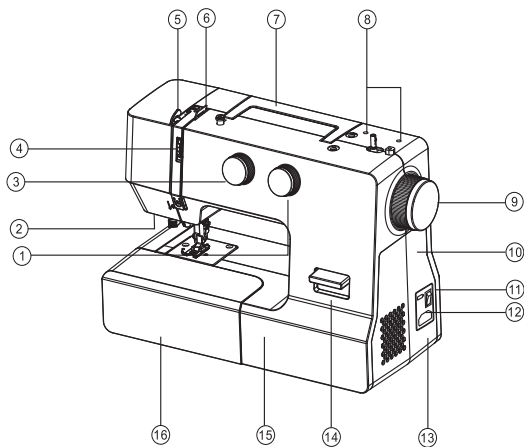
CZYSZCZENIE OKOLICY CHWYTACZA	23
CZYSZCZENIE ZĄBKÓW TRANSPORTERA	24
NAPRĘŻENIE PASKA NAPEŁDOWEGO	24
OLIWIENIE MASZYNY	25

## 4. PROBLEMY I ICH ROZWIĄZYWANIE 26

# PODSTAWOWE INFORMACJE

## Lista części

- 1 Pokrętło długości ściegu
- 2 Obcinacz nici
- 3 Pokrętło wyboru ściegu
- 4 Pokrętło regulacji napięcia nici
- 5 Dźwignia podnoszenia nici
- 6 Prowadnik nici
- 7 Uchwyt do przenoszenia
- 8 Trzpień szpulki
- 9 Koło napędowe
- 10 Ośłona paska
- 11 Wejście urządzenia
- 12 Przełącznik zasilania
- 13 Gniazdo zasilania
- 14 Dźwignia szycia wstecz
- 15 Pokrywa przednia
- 16 Pojemnik na akcesoria
- 17 Hamulec szpulownika
- 18 Trzpień szpulownika
- 19 Prowadnik nitki
- 20 Dźwignia podnoszenia stopki
- 21 Pokrywa tylna
- 22 Dźwignia nawlekacza igły
- 23 Prowadnik nawlekacza nitki
- 24 Prowadnik nitki
- 25 Śruba mocująca stopkę
- 26 Igła
- 27 Stopka dociskowa
- 28 Płytkę ściegową
- 29 Transporter
- 30 Przycisk zwalnający stopkę



# PODSTAWOWE INFORMACJE

## Akcesoria

1. Szpulki (3 szt.)
2. Pudełko na igły (igły 3 szt.)
3. Wielofunkcyjny śrubokręt
4. Płytkę do haftowania
5. Szczotka do dziurek na guziki
6. Stopka do dziurek
7. Stopka prowadząca
8. Stopka do zamków błyskawicznych
9. Stopka do guzików

Stopka dołączona do maszyny do szycia nazywana jest stopką zygzakową i będzie używana do większości czynności związanych z szyciem.

## Ustawianie maszyny

Przed pierwszym użyciem maszyny należy zetrzeć nadmiar oleju z obszaru płytki ściegowej.

## Podłączanie i odłączanie przewodu zasilającego/sterowania rozrusznikiem nożnym

Upewnij się, że maszyna do szycia jest wyłączona (przełącznik zasilania jest ustawiony na "0"), a następnie podłącz wtyczkę przewodu zasilającego do gniazda urządzenia i gniazdko ściennego. Przed odłączeniem przewodu zasilającego i sterownika stopki należy upewnić się, że maszyna do szycia jest wyłączona (przełącznik zasilania jest ustawiony w pozycji "0"). Prędkość szycia można zmieniać za pomocą pokrętki nożnej. Im mocniej naciśniesz pokrętkę, tym szybciej maszyna będzie pracować.

**NOTE:** Gdy sterowanie nożne jest odłączone, maszyna nie będzie działać.



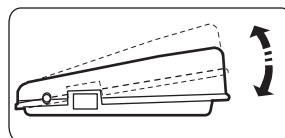
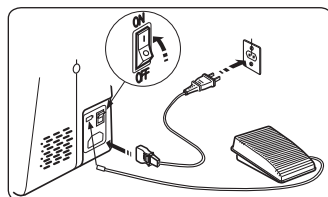
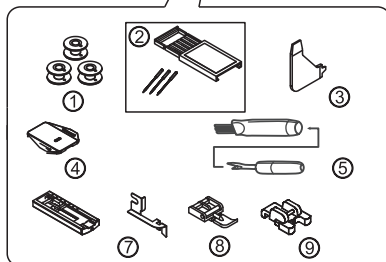
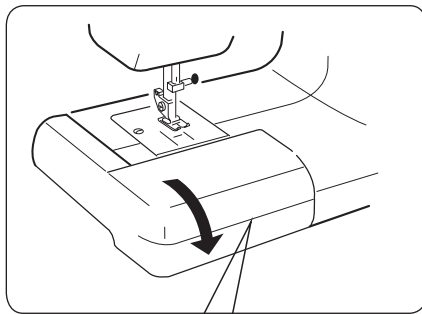
**UWAGA**

Zawsze odłączaj urządzenie od zasilania, wyjmując wtyczkę z gniazdko ściennego.

## Przełącznik zasilania/oświetlenia

Urządzenie nie będzie działać, dopóki nie zostanie włączony przełącznik zasilania/oświetlenia. Ten sam przełącznik steruje zarówno zasilaniem, jak i oświetleniem.

Podczas serwisowania maszyny, wymiany igieł itp. maszyna musi być odłączona od zasilania.



Przełącznik w trybie "OFF"

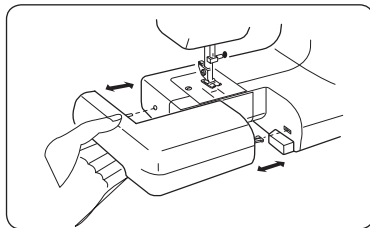
Przełącznik w trybie "ON"

# PODSTAWOWE INFORMACJE

## Szycie na okrągło (wolne ramię)

Aby otrzymać wolne ramię wysuń stolik w lewo, jak pokazano na rysunku obok.

Po wysunięciu stolika otrzymamy wolne ramię, które ułatwia szycie trudno dostępnych elementów odzieży (nogawek, rękawów itp.)

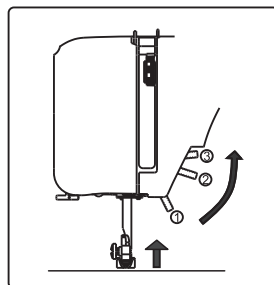


## Podnoszenie stopki

Dostępne są trzy pozycje stopki. Stopka powinna być opuszczona zawsze podczas szycia.

Stopkę należy podnieść do pozycji środkowej, aby wsunąć pod spód szyty materiał.

Stopkę można unieść do trzeciej, najwyższej pozycji, przytrzymując dźwignię w celu umieszczenia pod nią kilku warstw materiałów, bądź przy wymianie stopki.

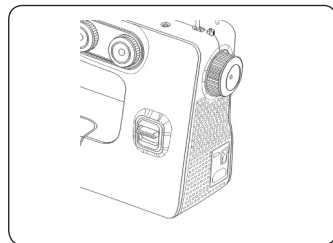


## Dźwignia szycia wstecz

Aby wzmocnić początek lub koniec szwu należy przeszyć kilka ściegów do tyłu – w tym celu naciśnij dźwignię szycia wstecznego.

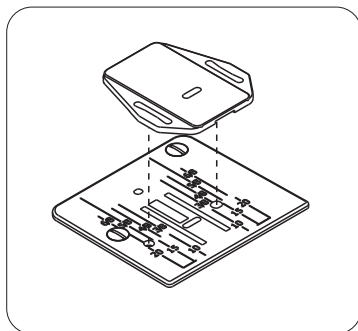
Maszyna będzie szyla wstecz tak długo, jak dźwignia będzie przyciskana.

Aby znów szyc do przodu, po prostu zwolnij dźwignię.



## Płytkę do haftowania

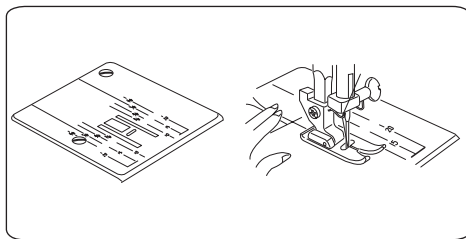
Podczas szycia swobodnego lub przyszywania guzików należy zainstalować płytkę do haftowania, jak pokazano na prawym rysunku.



# PODSTAWOWE INFORMACJE

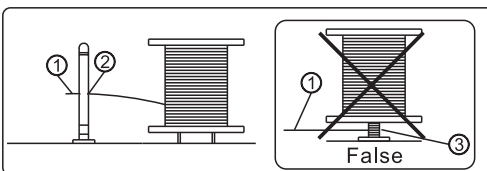
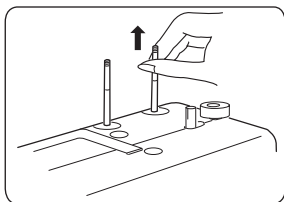
## Oznaczenia na płytce ściegowej

Linie na płytce ściegowej pomagają zachować właściwą odległość ściegu od krawędzi materiału (a konkretnie od centralnego uderzenia igły). Wartości liczbowe pokazane są zarówno w calach (z tyłu płytki), jak i w milimetrach (z przodu płytki).



## Stojak na nici

W zapakowanej fabrycznie maszynie stojaki na nici są schowane, aby nie uległy uszkodzeniu. Przed rozpoczęciem szycia należy je wyciągnąć do góry, natomiast zawsze przed zapakowaniem maszyny do kartonu, walizki czy choćby pokrowca, należy wciskać stojaki w dół w obudowę.



① Górna nić    ② Otwór    ③ Splot

**UWAGA: W przypadku używania nici, która ma tendencję do plątania się wokół trzpienia szpulki, należy przewlec nić przez otwór trzpienia szpulki, jak pokazano na rysunku. Otwór powinien być skierowany w stronę szpulki nici.**

## Nawijanie nici na szpulkę

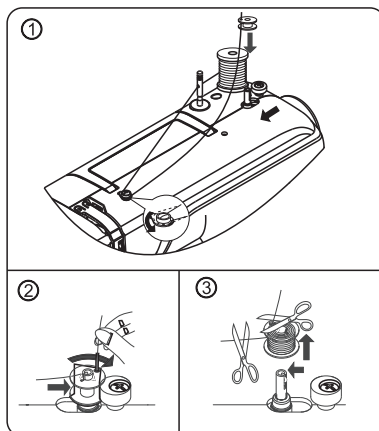
Nałóż szpulę z nicią na jeden ze stojaków. Pociągnij nitkę ze szpulki i przeprowadź przez prowadnik na pokrywie górnej (1).

Przeciągnij nitkę przez otwór w szpulce od wewnątrz na zewnątrz i załóż szpulkę bębna na trzpień szpulownika.

Przesuń trzpień ze szpulką w prawo (2).

Przytrzymaj za koniec nitki i naciśnij rozrusznik rozpoczynając nawijanie.

Zatrzymaj maszynę po nawinięciu kilku zwojów i utnij nitkę blisko otworu w szpulce (3).



# PODSTAWOWE INFORMACJE

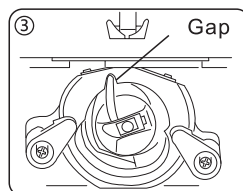
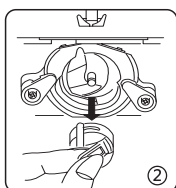
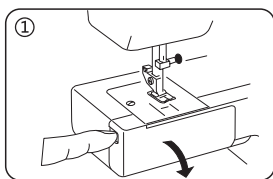
## Wymiana bębinka

1. Wsuń stolik w lewo i otwórz pokrywę chwytacza.
2. Trzymając bębenek za uchylny uchwyt wyciągnij go z maszyny.
3. Zakładając bębenek umieść bolec bębinka we wgłębieniu nakładki chwytacza.



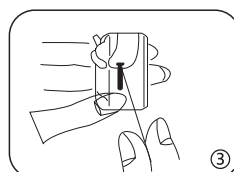
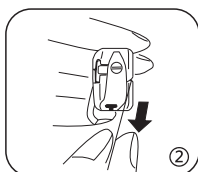
**UWAGA**

Przed wymianą bębinka wyłącz zasilanie maszyny



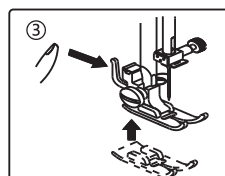
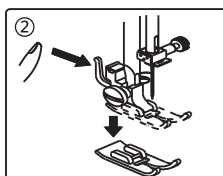
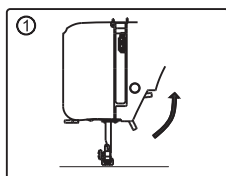
## Zakładanie szpulki w bębnieku

1. Umieść nawleczoną wcześniej szpulkę w bębnieku. Upewnij się, że nitka odwija się zgodnie z ruchem wskazówek zegara, za strzałką - tak jak pokazano to na rysunku.
2. Przeciągnij nitkę przez szczelinę bębnieka.
3. Następnie przeciągnij nitkę przez sprężynkę regulującą napięcie nitki, aż do otworu wyjściowego. Wyciągnij przynajmniej 10 cm nitki poza bębenek



## Wymiana stopki

1. Obróć pokrętko do siebie, aby podnieść igłę do najwyższej pozycji. Podnieś stopkę.
2. Naciśnij dźwignię z tyłu uchwytu stopki. Stopka zostanie opuszczona.
3. Umieść stopkę w taki sposób, aby trzpień stopki znajdował się tuż pod rowkiem uchwytu. Opuść uchwyt stopki, aby zablokować stopkę na miejscu.



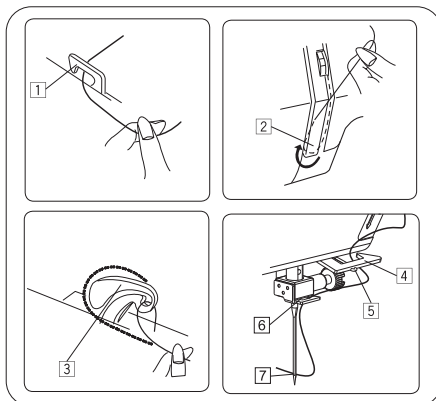
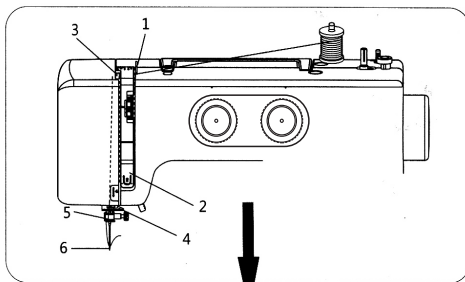
## Mocowanie prowadnika (opcjonalnie)

Zamocuj prowadnicę szwu w szczelinie, jak pokazano na ilustracji. Wyreguluj w zależności od potrzeb, aby uzyskać obszcycia, zakładki itp.

# PODSTAWOWE INFORMACJE

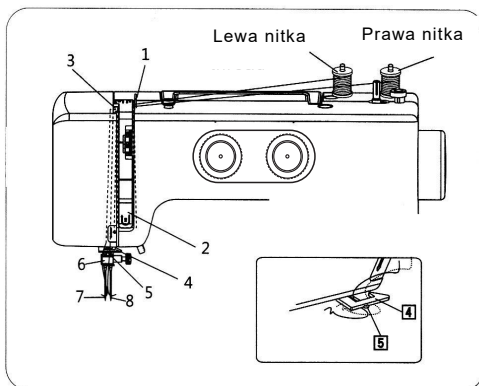
## Nawlekanie nitki górnej

1. Ustaw igłę w najwyższym położeniu, obracając kołem napędowym do siebie. Podnieś stopkę.
2. Umieść szpulę z nicią na stojaku tak, aby nitka odwijała się od tyłu - jak pokazano na rysunku.
3. Przeprowadź nitkę przez prowadnik (1) wprowadzając nitkę od prawej strony.
4. Dalej prowadź nitkę w dół i przeprowadź przez talerzyki naprężacza nici górnej (2) i poprowadź w górę.
5. Przelóż nitkę od prawej strony do lewej przez oczko podciągacza nici (3).
6. Następnie prowadź nitkę w dół w kierunku igły i przewlec przez dolny prowadnik nici (4&5) oraz przez kolejny prowadnik na wysokości igły (6).
7. Nawlecz oczko igły przeciągając nić od przodu do tyłu (7) i przeciągnij pod stopką na długość ok. 10 cm.



## Podwójna igła

- Podczas nawlekania lewej igły postępuj analogicznie jak w przypadku nawlekania jednej igły (przewlec nitkę przez punkty zaznaczone na rysunku od 1 do 5).
2. Następnie przeprowadź nitkę wewnątrz sprężynki znajdującej się w prowadniku (5) jak pokazano na rysunku.
  3. Przewlec nitkę przez igłę od tyłu do przodu.
  4. Po nawleczeniu lewej igły, nawlecz igłę prawą. Postępuj w standardowy sposób.
  5. Przewlec nitkę prawą przez igłę od przodu do tyłu



**Uwaga: Pamiętaj, aby najpierw nawlec lewą igłę, następnie nawlec prawą igłę.**

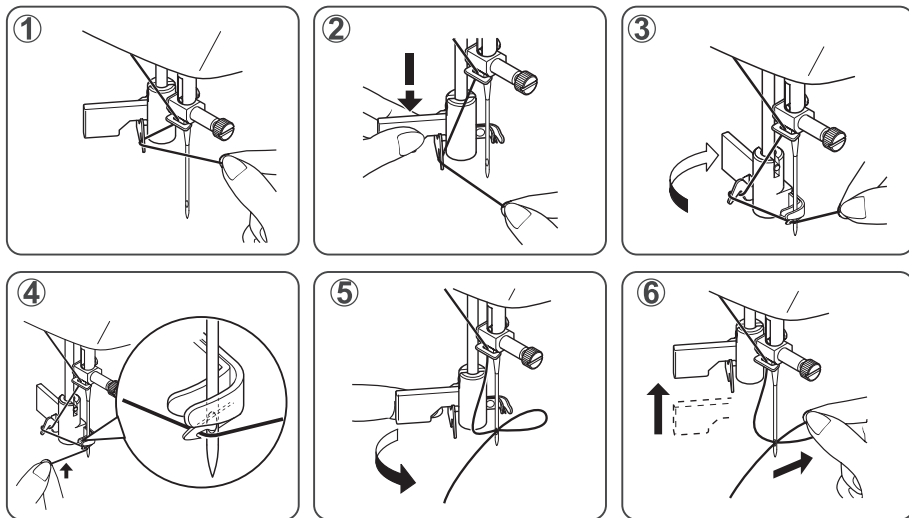
# PODSTAWOWE INFORMACJE

## Nawlekanie igły

Opuść stopkę dociskową. Obracając kołem pasowym podnieś igłę do jej najwyższej pozycji.

1. Przeciwnij nić przez prowadnik nawlekacza wyciągając ją w prawo.
2. Przytrzymując nić opuść nawlekacz w dół tak nisko jak to możliwe.
3. Obróć dźwignię nawlekacza do tyłu tak, aby haczyk nawlekacza wskoczył do oczka igły.
4. Przeprowadź nić przez prowadnik pod haczykiem.
5. Trzymaj luźno nić i przesun dźwignię nawlekacza w swoim kierunku. Haczyk się obróci przeprowadzając pętlę nici przez igłę.
6. Zwolnij nawlekacz. Wyciągnij ok. 10 cm nici.

**UWAGA : Nie obniżaj nawlekacza podczas szycia na maszynie. Aby nawlekanie przebiegało bez problemów, ustaw ścieg prosty. Nawlekacz nie może być używany podczas nawlekania podwójnej igły**

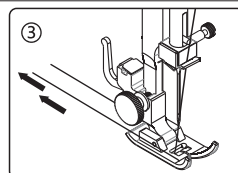
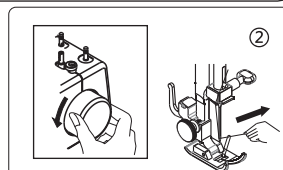
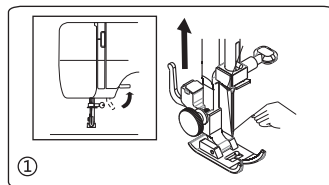




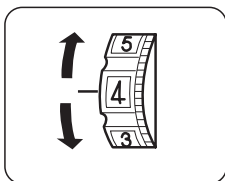
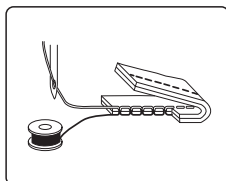
# PODSTAWOWE INFORMACJE

## Wyciąganie nici ze szpulki

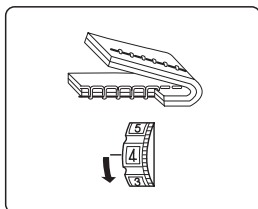
- ① Podnieść stopkę i lekko przytrzymać nić lewą ręką.
- ② Prawą ręką powoli obracać kołem do siebie, aż igła opuści się w dół i kontynuować obracanie kołem, aż dźwignia chwytacza znajdzie się w najwyższym położeniu. Lekko podciągnij nić igłową, tworząc pętlę nici dolnej.
- ③ Przeciągnąć 15 cm (6 cali) obu nici do tyłu i pod stopką.



## Regulacja naprężenia nici

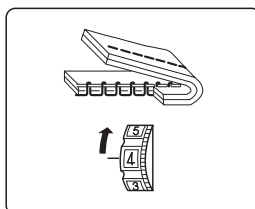


Ustawiaj odpowiednie naprężenie za pomocą pokrętki regulacji naprężenia nitki w zależności od grubości i ilości warstw szytego materiału oraz rodzaju nici. W prawidłowym ściegu nić górna i nić bębna wciągane są w równym stopniu do materiału, a splot tworzy się po środku zszywanych warstw tkaniny.



Gdy nić ze szpulki jest widoczna na wierzchniej stronie materiału

Przekręć pokrętko regulacji na niższy numer, by poluzować naprężenie górnej nici



Gdy górna nić jest widoczna na spodniej stronie materiału:

Przekręć pokrętko regulacji na wyższy numer, by zwiększyć naprężenie górnej nici.

**UWAGA :** Przy szyciu ściegami zygzakowymi naprężenie nici powinno być nieco słabsze niż przy szyciu ściegiem prostym. Otrzymasz ładniejszy ścieg, gdy górna nić pojawi się na spodniej stronie materiału.

# KNOWING YOUR SEWING MACHINE

## Tabela doboru nici i igieł do szytego materiału

Wybór igły i nici zależy od rodzaju tkaniny. Poniższa tabela stanowi praktyczny przewodnik po wyborze igły i nici.

Zawsze należy się z nią zapoznać przed rozpoczęciem nowego projektu szycia. Upewnij się, że używasz tego samego rozmiaru i rodzaju nici w szpulce, co w górnym zapasie nici.

Rodzaj	Tkanina	Nici	Rozmiar igły
Lekkie	Cienka żorżeta, tafta, jedwab itp.	Bawełniana #120 – 150 Jedwabna #120 – 150 Syntetyczna #120 - 150	70-80
Średnie	Bawełna, len, satyna, aksamit itp.	Bawełniana #100 - 120 Jedwabna #100 – 120 Syntetyczna #100 - 120	80-90
Grube	Gabardyna, denim, sztruks itp.	Bawełniana #50 - 80 Jedwabna #50 - 80 Syntetyczna #50 - 80	90-100



### UWAGA

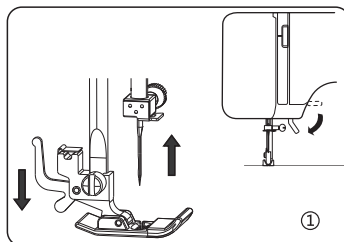
Zawsze odłączaj urządzenie od zasilania, wyjmując wtyczkę z gniazdka ściennego.

## Wymiana igły

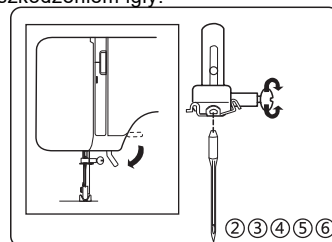
1. Dobierz odpowiedni system igły i jej grubość, w zależności od rodzaju szytego materiału.
2. UWAGA: Wyłącz zasilanie maszyny przed wymianą igły!
3. Podnieś igłę do najwyższej pozycji, obracając kołem napędowym w swoją stronę.
4. Poluzuj śrubę mocującą igłę.
5. Wymij igłę z uchwytu.
6. Umieść nową igłę w uchwycie płaską stroną do przodu stopki i dociśnij ją maksymalnie w górę.
7. Dokręć śrubę mocującą igłę.

**UWAGA: Nie wolno używać wykrzywionych, tępych lub wygiętych igieł!**

Aby sprawdzić igłę, połóż ją na płaskiej powierzchni (np. płytce ścięgowej, szkle). Odstęp pomiędzy igłą a płaską powierzchnią powinien być stały.

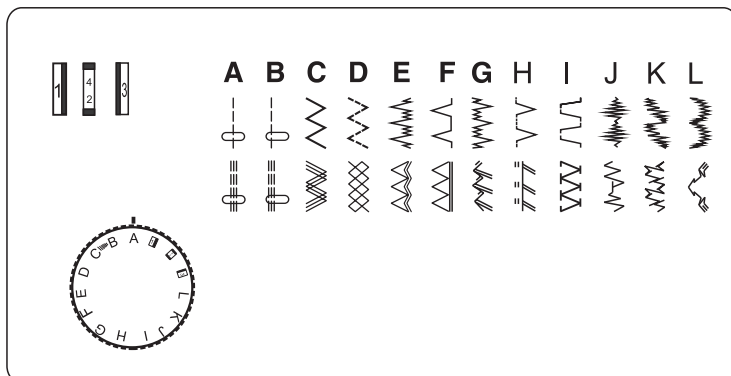


Należy często sprawdzać, czy igły nie mają kolczastych lub stępionych ostrzy. Szwy i zacieki w dzianinach, cienkich jedwabiach i tkaninach jedwabnopodobnych są trwałe i prawie zawsze są spowodowane uszkodzeniem igły.



# PODSTAWOWE INFORMACJE

## Wybór ściegu



Przed przystąpieniem do zmiany lub wyboru ściegu należy wyprowadzić igłę z tkaniny lub materiału.

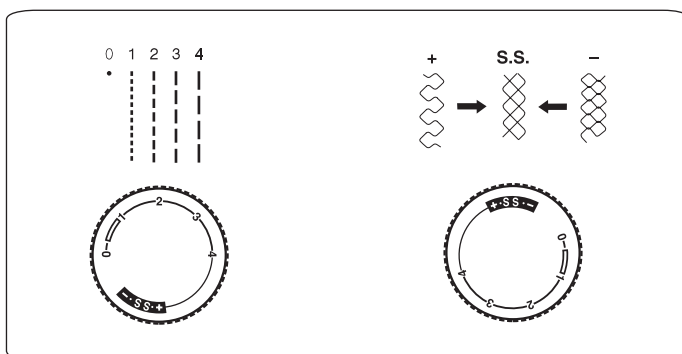
Aby wybrać wymagany ścieg, należy ustawić pokrętko wyboru ściegu na odpowiednim symbolu zgodnie z tabelą ściegów znajdującą się na maszynie.

## Wybieranie wzorów ściegów elastycznych

Podczas szycia rozciągliwego, ustawić pokrętko długości ściegu na "SS".

Gdy posuwamy do przodu i do tyłu stają się nie zrównoważone w zależności od rodzaju materiału, należy skorygować rękę w następujący sposób.

Gdy wzory są ściśnięte, skoryguj to obracając pokrętko w kierunku "+". Gdy wzory są wyciągnięte, skoryguj to obracając pokrętko w kierunku "-".



## Regulacja długości ściegu

Aby zmienić długość ściegu (dotyczy ściegów pojedynczych) należy użyć pokrętła regulacji długości ściegu znajdującego się na panelu przednim ustawiając go w zakresie od 0 do 4 mm. Im wyższy numer, tym dłuższy ścieg uzyskamy.

# PODSTAWOWE INFORMACJE

## Przydatne porady

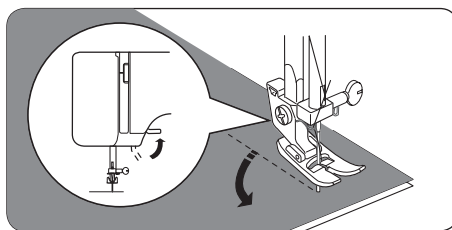
Poniżej opisano różne sposoby osiągnięcia lepszych wyników szycia. Wskazówki te należy stosować podczas szycia.

### 1. Szycie próbne

Do próbnego szycia należy użyć ściągów o różnej szerokości i długości. Po zakończeniu wybierz najlepiej wyglądającą szerokość i długość ścięgu dla prawidłowego szycia. Do próbnego szycia użyj kawałka materiału i nici, które są takie same jak te użyte w projekcie, a następnie sprawdź napięcie nici oraz długość i szerokość ścięgu. Ponieważ wyniki różnią się w zależności od rodzaju ścięgu i liczby zszytych warstw materiału, wykonaj próbne szycie w takich samych warunkach, jakie będą używane w projekcie.

### 2. Zmiana kierunku szycia

Zatrzymaj maszynę i obróć pokrętkę do siebie, aby igła wbiła się w materiał. Podnieś stopkę. Obróć materiał wokół igły, aby zmienić kierunek szycia. Opuść stopkę i kontynuuj szycie.



### 3. Szycie krzywych

1) Zatrzymaj szycie, a następnie nieznacznie zmień kierunek szycia, aby szyć po krzywej.  
2) Podczas szycia wzdłuż krzywej przy użyciu ścięgu zygzakowego, wybierz krótszą długość w celu uzyskania drobniejszego ścięgu.

### 4. Szycie grubych tkanin

Jeśli tkanina nie mieści się pod stopką: Podnieś stopkę jeszcze wyżej, aby ustawić ją w najwyższym położeniu. Następnie wsuń materiał pod stopkę. (Patrz strona 4, aby podnieść stopkę).

### 5. Szycie elastycznego materiału lub materiału, który łatwo powoduje przeskakiwanie ściągów

Użyj igły z okrągłą główką i większej długości ścięgu. Jeśli to konieczne, dodaj jedną warstwę materiału podszewkowego pod tkaniną, aby zapewnić lepsze szycie

### 6. Szycie cienkich tkanin lub jedwabiu

Podczas szycia cienkich tkanin lub jedwabiu ściąg może odbiegać od prawidłowego kierunku lub nie może prawidłowo podawać tkaniny. W takim przypadku należy dodać jedną warstwę tkaniny podszewkowej pod materiał, aby zapewnić lepsze szycie.

### 7. Szycie tkanin elastycznych

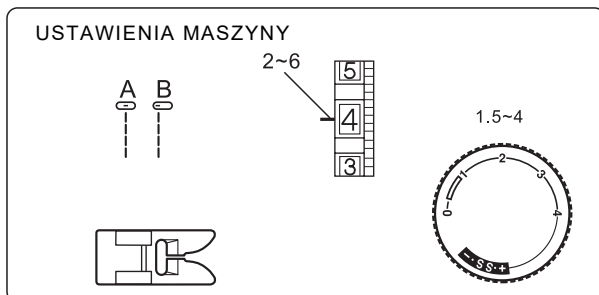
Najpierw zfastryguj kawałek materiału, a następnie zszyj go bez rozciągania.

### 8. Szycie na okrągło (wolne ramię)

W przypadku szycia materiału rurkowego lub części, której nie można osiągnąć, użyj funkcji szycia z wolnym ramieniem (szczegółowe informacje znajdują się na stronie 4).

# ŚCIEGI PODSTAWOWE

## Szycie ściegiem prostym



### STOPKA - UNIWERSALNA

1. Sprawdź stopkę – powinieneś mieć założoną stopkę uniwersalną.

2. Przekręć kołem pasowym tak, aby igła znalazła się w swojej

najwyższej pozycji.

3. Podnieś stopkę dociskową i umieść pod nią materiał.

4. Opuść stopkę dociskową.

5. Delikatnie prowadź materiał tak, by był on podawany naturalnie. Dostosuj prędkość szycia

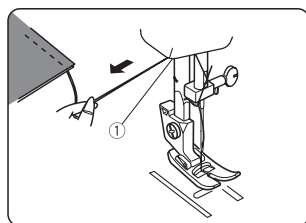
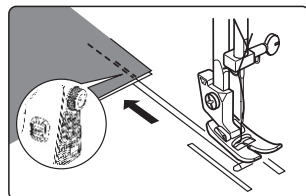
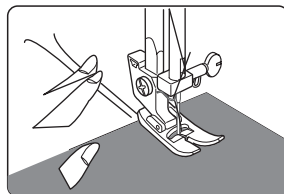
6. Przy końcu szwu naciśnij dźwignię szycia wstecz i przesyj 3-4 ściegi.

7. Podnieś dźwignię podnoszenia stopki.

8. Przekręcając kołem napędowym podnieś igłę.

Wyciągnij szyty materiał spod stopki.

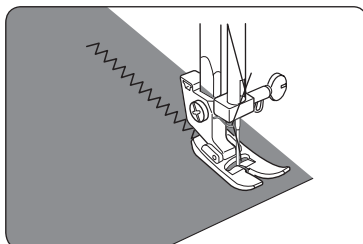
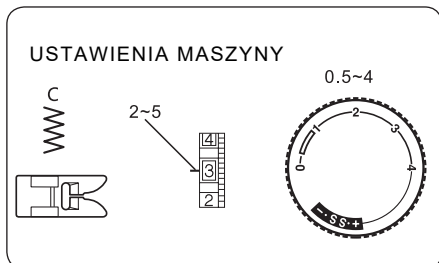
Używając obcinacza z boku maszyny odetnij nitki.



# ŚCIEGI PODSTAWOWE

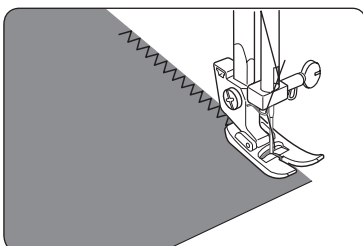
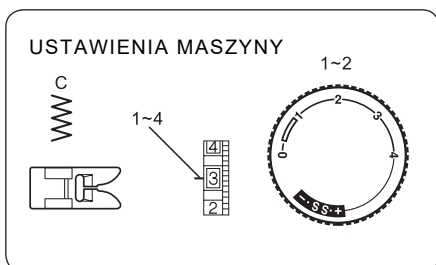
## Ściegi zygzakowe

ZYGZAK to drugi obok prostego podstawowy ścieg. Znajduje zastosowanie w obrzucaniu brzegów materiału, przyszywaniu guzików, obszywaniu dziurek na guziki, ale też haftowaniu, szyciu dekoracyjnym ściegami satynowymi (bardzo zagęszczony zygzak).



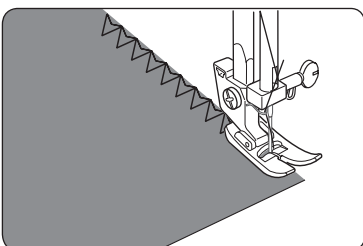
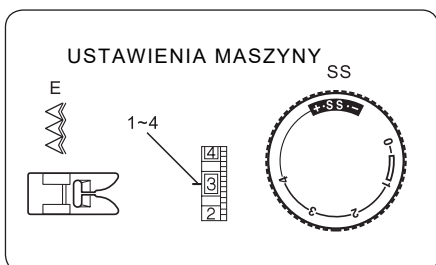
## Trójkostek (zygzak elastyczny)

Stosowany do wykańczania brzegów materiału na tkaninach elastycznych (np. kostiumów kąpielowych z lycry) lub na tkaninach, które mają skłonność do marszczenia się po przeszyciu.



## Ścieg na zakładkę

Ścieg zygzakowy będzie najlepiej wykonany, gdy prawe oczka zygzaka będą lekko opadać poza krawędź materiału.



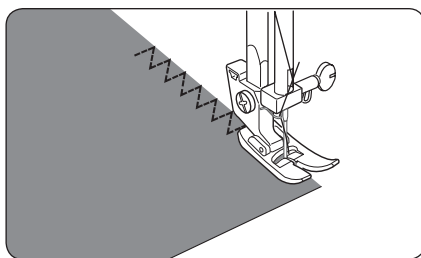
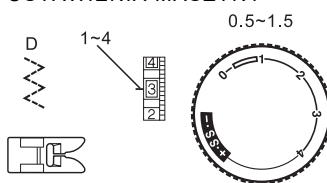
# ŚCIEGI PODSTAWOWE

## Ścieg trykotowy

Umieść materiał pod stopką, tak aby krawędź znajdowała się nieco wewnątrz prawej strony stopki.

Poprowadzić pracę tak, aby prawe ściegi wypadały przy krawędzi materiału.

### USTAWIENIA MASZyny



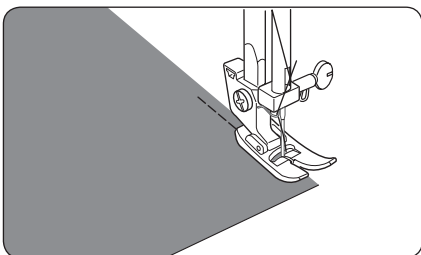
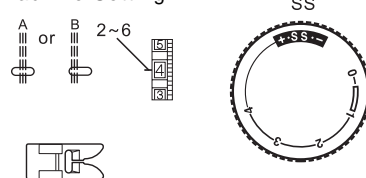
## Ścieg potrójny prosty

STOPKA - UNIWERSALNA

Pamiętaj o ustawieniu pokrętki długości ściegu na SS. Służy głównie wzmocnieniu szwów. Igła porusza się 2 razy do przodu i 1 raz do tyłu, co pozwala na uzyskanie bardzo mocnego szwu.

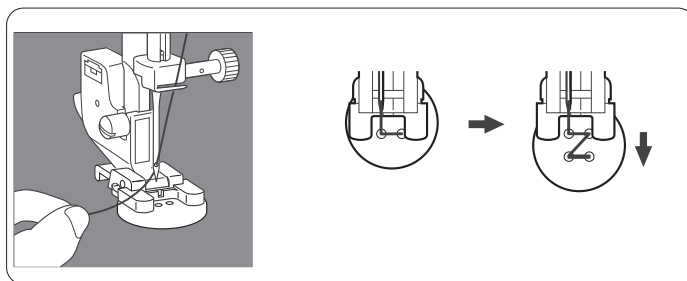
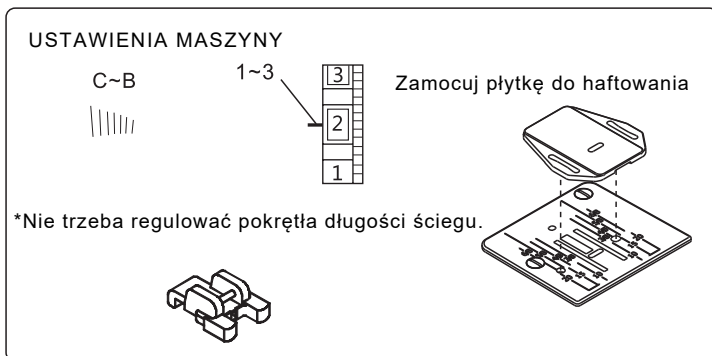
Jest on zalecany do szycia klinów, odzieży roboczej i sportowej. Przed przystąpieniem do wykonania ściegu potrójnego tkaninę należy sfastrygować lub przymocować szpilkami.

### Machine Setting



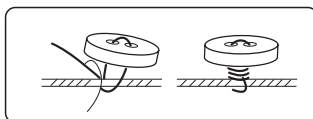
# ŚCIEGI PODSTAWOWE

## Przyszywanie guzików



Umieść materiał i guzik pod stopką. Opuść stopkę. Obróć kołem ręcznym, aby upewnić się, że igła przechodzi przez lewy i prawy otwór guzika. W razie potrzeby wyreguluj szerokość. Wykonaj 10 ściegów w poprzek.

Podczas przyszywania guzików z czterema dziurkami, najpierw przyszyj dwie dziurki najbliższe sobie. Następnie przesunij guzik tak, aby igła weszła w dwa otwory znajdujące się z tyłu maszyny do szycia, a następnie przyszyj je w ten sam sposób.

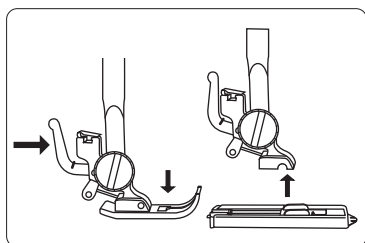
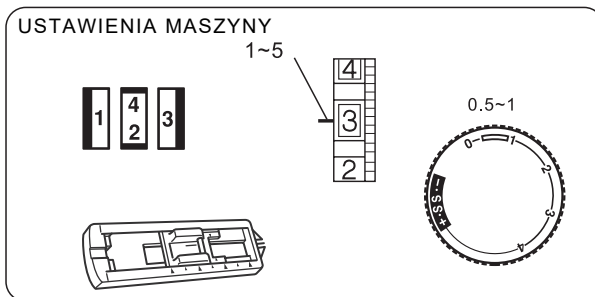


Aby zabezpieczyć nić, odetnij górną nić z 25-centymetrowym nadmiarem, owiń ją wokół nici między guzikiem a tkaniną, a następnie mocno zawiąż.



# ŚCIEGI PODSTAWOWE

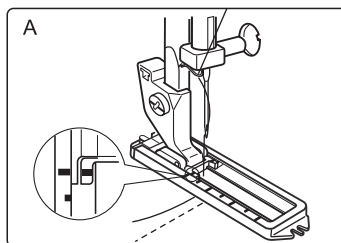
## Obszywanie dziurek




Wymiana stopki do dziurek.

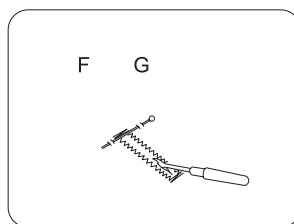
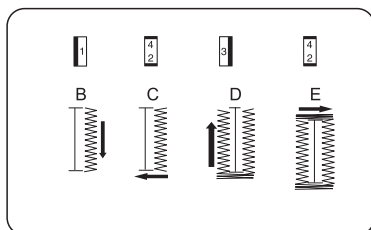
\*Zanim wykonasz dziurki w odzieży, wykonaj kilka dziurek na próbce materiału.

\*W przypadku tkanin elastycznych użyj flizeliny.





A. Wybierz , dprzeciagnij obie nici w lewo pod stopką.

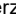
Włóż ubranie pod stopkę.



B. Opuścić igłę w punkcie początkowym. Następnie opuścić stopkę do dziurek. Przeszyj wymaganą długość po lewej stronie dziurki i zatrzymaj maszynę.

C. Podnieś igłę do najwyższego położenia, obracając pokrętko, a następnie wybierz opcję .

D. Podnieś igłę do najwyższej pozycji i wybierz , uszyć prawą stronę dziurki na guziki na tej samej długości co lewą stronę i zatrzymać maszynę.

E. Podnieś igłę i wybierz , i przyszyć pięć szwów ryglowych.

F. Podnieś stopkę i wyciągnąć materiał, odciąć górną nić i nić dolną, pozostawiając około 10 cm końcówek nici i zawiązać je po lewej stronie materiału.

G. Rozetnij dziurkę za pomocą rozpruwacza do szwów.

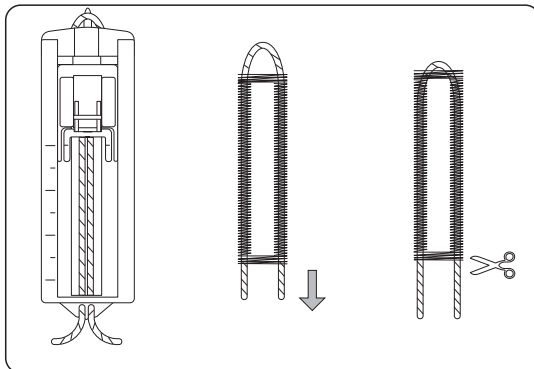
# ŚCIEGI PODSTAWOWE

## Obszywanie dziurek

Wskazówki:

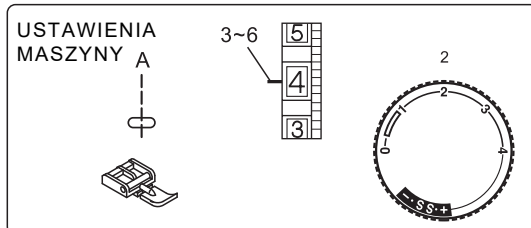
Nieznacznie zmniejsz górne napięcie, aby uzyskać lepsze rezultaty.

W przypadku cienkich lub rozciągliwych materiałów należy użyć materiału podkładowego. Zalecamy umieszczenie szpilki na końcu dziurki na guziki jako zabezpieczenie przed przecięciem szwów za pomocą rozpruwacza do szwów. W przypadku materiałów elastycznych lub dzianin zaleca się użycie sznurka. Zygzak powinien szyć nad sznurkiem. Linie na stopce do dziurek na guziki mogą być używane jako prowadnice podczas szycia wielu dziurek na guziki.



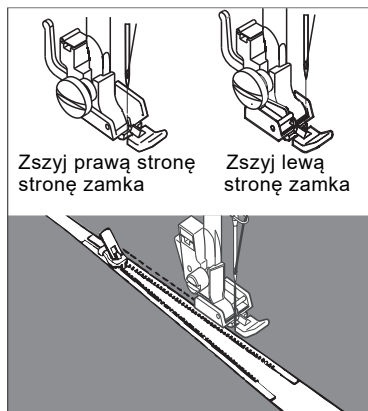
1. Podnieś stopkę, pociągnij za sznurek i omiń wystający punkt z tyłu stopki do dziurek.
2. Przeciągnąć sznurek pod stopką do przodu.
3. Przymocować sznurek do wystającego punktu z przodu stopki.
4. Obrócić igłę w dół do pozycji początkowej na materiale, opuścić stopkę.
5. Wykonać dziurkę zgodnie z opisem na stronie 17.
5. Pociągnąć prosto za sznurek.
6. Odetnij sznurek.

## Przyszywanie zamków



Zamocuj stopkę do zamków błyskawicznych.

Podczas szycia prawej strony zamka błyskawicznego, zamocuj stopkę zamka błyskawicznego zgodnie z ilustracją po prawej stronie. Podczas szycia lewej strony zamka błyskawicznego załóż stopkę zamka błyskawicznego zgodnie z ilustracją po prawej stronie.



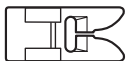
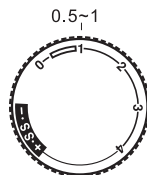
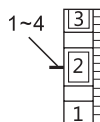
**Pomocna wskazówka:**  
**Podczas zakładania zamka błyskawicznego należy upewnić się, że igła nie dotyka zamka. W przeciwnym razie może to spowodować złamanie igły lub nawet obrażenia.**

# ŚCIEGI PODSTAWOWE

## Szycie ściegiem krytym

**Pomocna wskazówka:**  
Przed zainstalowaniem stopki prowadzącej należy najpierw nawlec igłę.

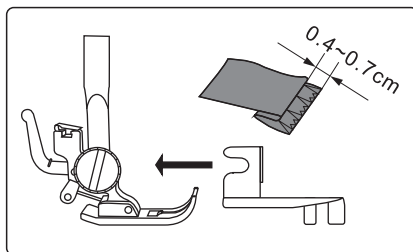
### USTAWIENIA MASZyny



Złóż materiał zgodnie z ilustracją.

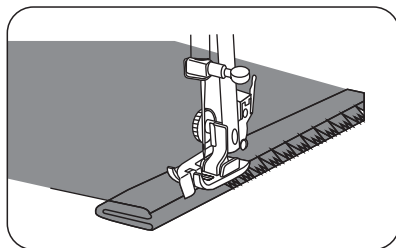
Opuść stopkę, a następnie poluzuj śrubę uchwyty stopki, aby umieścić przewodnik obszycia pomiędzy śrubą a trzonkiem uchwyty stopki.

Dokręć śrubę, upewniając się, że ścianka przewodnika obszycia znajduje się pośrodku palców stopki.

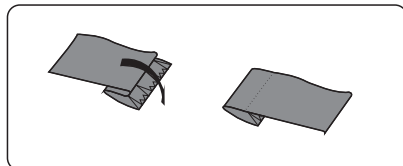


Podnieś stopkę i umieść materiał pod stopką tak, aby miękki fałd przylegał do ścianki przewodnika obszycia.

Opuść stopkę, a następnie powoli wykonaj ścieg dla lepszej kontroli, aby ściegi zygzakowe spadły na naddatek na obszyciu i przebiły miękki fałd. Podczas szycia upewnij się, że miękka fałda przebiega wzdłuż ścianki przewodnicy lamówki.

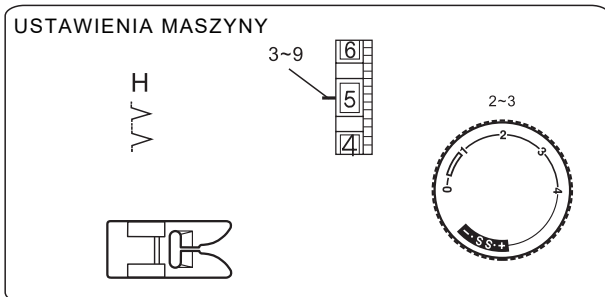


Rozłóż materiał na płasko prawą stroną do góry.



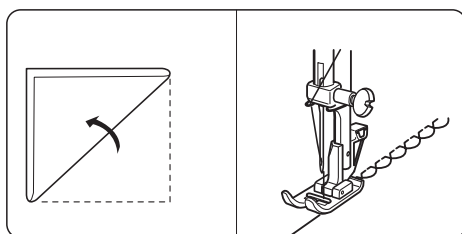
# ŚCIEGI DEKORACYJNE

## Ścieg muszelkowy

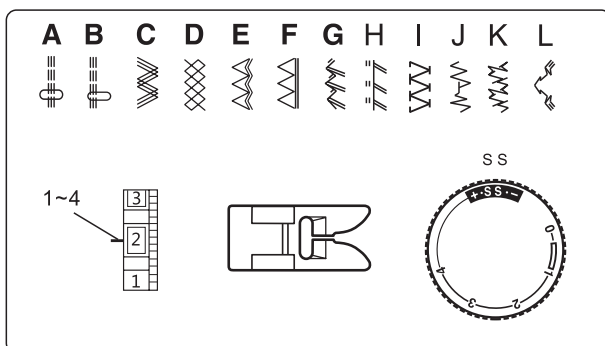


Stosowany się głównie w szyciu dekoracyjnym, często przy tkaninach krojonych ze skosu.

Materiał należy złożyć tak jak na rysunku, a następnie podłożyć pod stopkę wzdłuż założonego brzegu. Szyjąc prowadź materiał tak, aby igła po prawej stronie wychodziła za brzeg materiału. Stosuj stopkę uniwersalną.



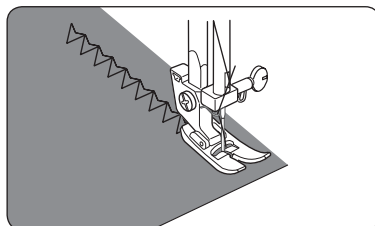
## Ścieg elastyczny



Jeśli w zależności od rodzaju materiału, występuje asymetria przesuwu do przodu i do tyłu, należy ją skorygować, obracając pokrętkę długości ściegu w następujący sposób:

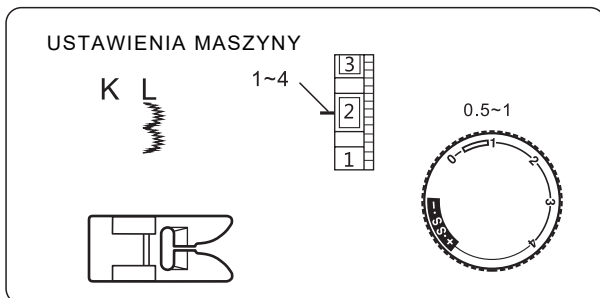
Gdy wzory są ściśnięte, skoryguj to obracając pokrętkę w kierunku "+".

Gdy wzory są wyciągnięte, skoryguj to obracając pokrętkę w kierunku "-".

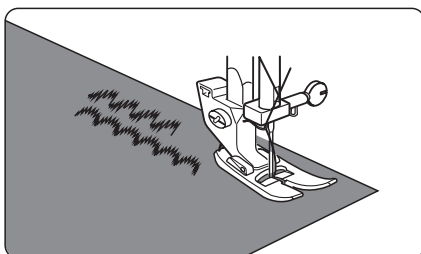


# ŚCIEGI DEKORACYJNE

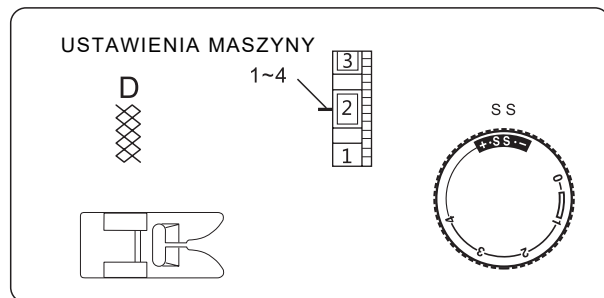
## Dekoracyjny ścieg satynowy



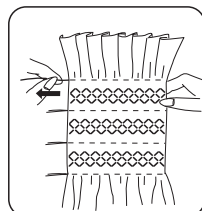
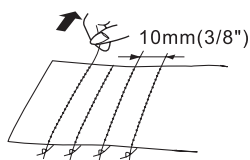
Wykonaj rząd ściegów i wyreguluj napięcie nici tak, aby górna nić pojawiła się na odwrotnej stronie materiału. Przetestuj ścieg na rzeczywistej tkaninie, aby uzyskać najlepsze rezultaty.



## Marszczenie



Niewłaściwa strona materiału



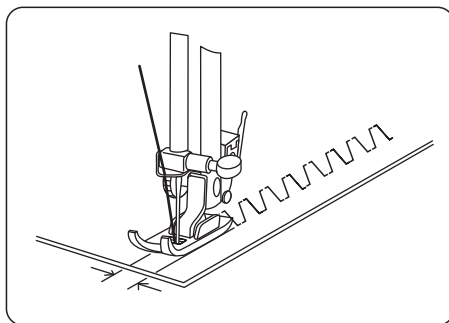
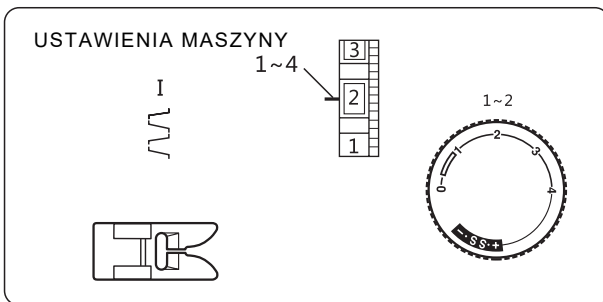
Ściegiem o długości "4" wykonać ścieg prosty; linie w odległości 3/8 od siebie w poprzek obszaru, który ma być obszyty. Zawiązać nitkę wzdłuż jednej krawędzi, przeciągnąć szpulkę i równomiernie rozłożyć marszczenia. Zabezpieczyć nitkę na drugim końcu. Przeszyć ścieg ozdobny pomiędzy ściegami marszczącymi. Wyciągnąć ściegi marszczące.

UWAGA: Poluzować napięcie górnej nici, aby ułatwić marszczenie.

# ŚCIEGI DEKORACYJNE

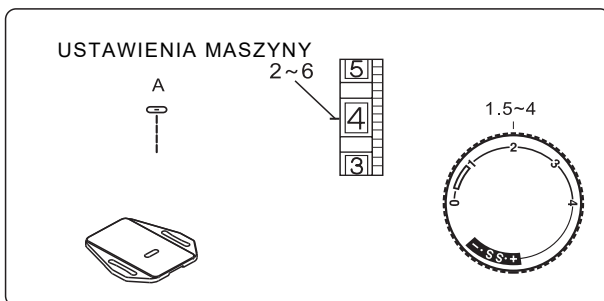
## Ścieg typu "Box"

Użyj tego ściegu do łączenia ciężkich flizelin.  
Nałożyć na siebie dwie surowe krawędzie i użyć tego ściegu do ich połączenia.



## Swobodny ścieg

Możliwość szycia ściegami free-motion według własnego stylu klienta

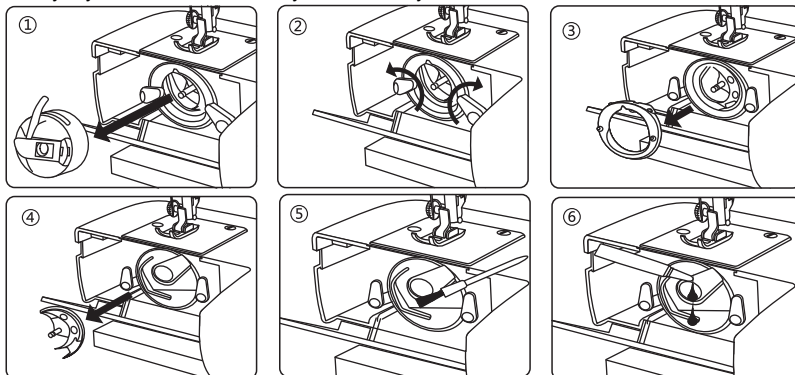


Uwaga: Przed rozpoczęciem szycia swobodnego należy zdjąć stopkę i uchwyt stopki.

# KONSERWACJA MASZYNY

## Czyszczenie okolic chwytacza

W celu wyczyszczenia okolic chwytacza należy:



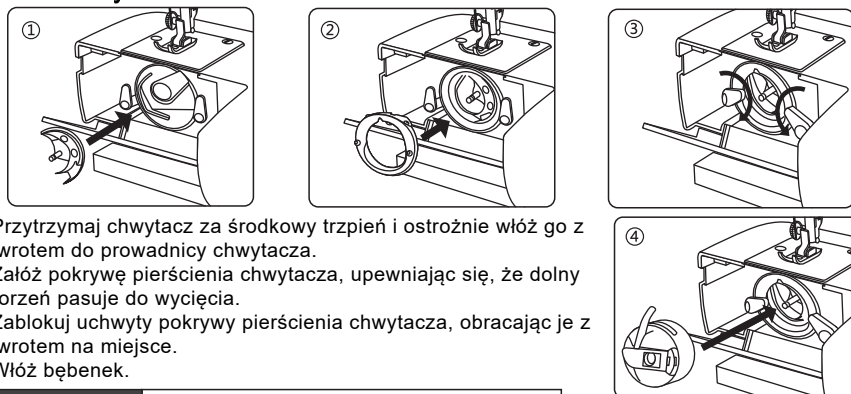
Podnieś igłę do najwyższej pozycji i otwórz pokrywę chwytacza.

1. Otwórz zatrzask bębna i wyjmij go z maszyny.
2. Otwórz uchwyty pokrywy bębna.
3. Zdejmij pokrywę bębna.
4. Wyjmij chwytacz.
5. Wyczyść pierścien chwytacza za pomocą szczotki i miękkiej, suchej szmatki.
6. Przed montażem przewodnicy nasmaruj ją kilkoma kroplami wysokiej jakości oleju do maszyn do szycia.

### Uwaga

1. Oleju należy używać oszczędnie, ponieważ nadmierne naoliwienie spowoduje jego wyciek na tkaninę.
2. W przypadku, gdy maszyna nie działa płynnie z powodu beczynności przez pewien czas, nałóż kilka kropli nafty w miejscu naoliwienia i obracaj maszyną szybko przez minutę.
3. Gdy maszyna pracuje przez 4-8 godzin lub występuje nienormalny hałas, nałóż 2-3 krople oleju do maszyn do szycia w punkcie oliwienia,

### Montaż chwytacza



1. Przytrzymaj chwytacz za środkowy trzpień i ostrożnie włóż go z powrotem do przewodnicy chwytacza.
2. Załóż pokrywę pierścienia chwytacza, upewniając się, że dolny sworzeń pasuje do wycięcia.
3. Zablokuj uchwyty pokrywy pierścienia chwytacza, obracając je z powrotem na miejsce.
4. Włóż bębenek.



**UWAGA**

**Przed rozpoczęciem korzystania z urządzenia należy odłączyć zasilanie.**

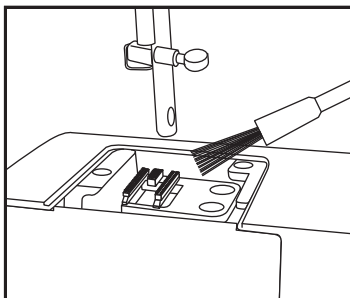
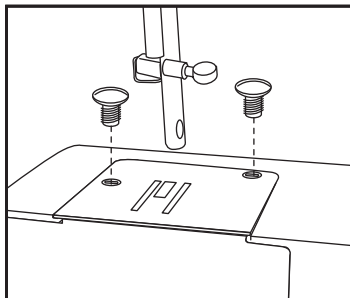
# KONSERWACJA MASZYNY

## Czyszczenie ząbków transportera

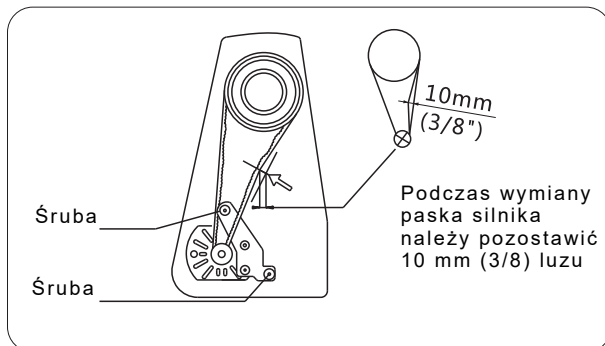
**UWAGA:** Przy jakichkolwiek czynności konserwacyjnych wyłączyć zasilanie maszyny i odłączyć maszynę z prądu!

1. Odkręć uchwyt igły i wyjmij igłę. Zdejmij stopkę.
2. Odkręć wkręty na płycie ścięgowej i wyjmij ją.
3. Oczyszcz ząbki transportera pędzelkiem i ponownie załóż i przykręć płytkę ścięgową.
4. Aby przygotować maszynę do ponownego szycia zamocuj igłę i załóż stopkę.

**UWAGA:** Jeżeli maszyna jest intensywnie używana, należy często oczyszczać ząbki transportera.



## Napężenie paska napędowego



Aby wyregulować napięcie paska, należy zdjąć pokrywę paska i poluzować śruby mocujące o jeden obrót za pomocą śrubokręta.

Umożliwi to ruch silnika w dół lub w górę. Następnie mocno dokręć śrubę, upewniając się, że pasek jest prawidłowo napięty.

**UWAGA:** Nie należy napinać paska zbyt mocno

**CAUTION** Przed rozpoczęciem korzystania z urządzenia należy odłączyć zasilanie.



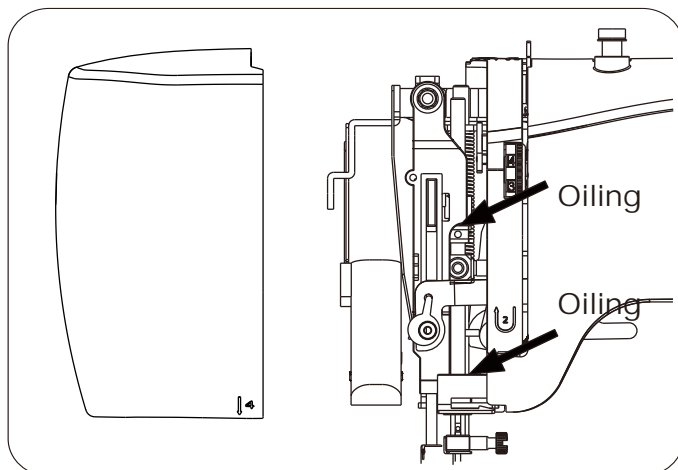
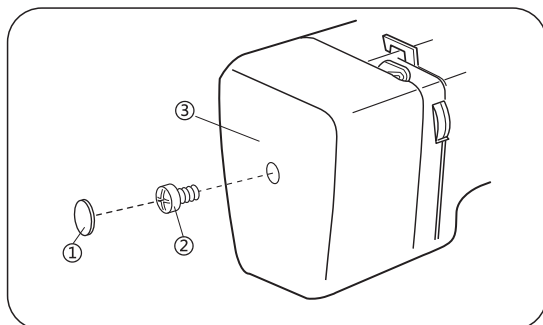
# KONSERWACJA MASZYN

## Oliwienie maszyny

- ① Nakrętka pokrywy czołowej
- ② Śruba pokrywy czołowej
- ③ Osłona twarzy

Zdejmij osłonę czołową

- 1. Śruba pokrywy czołowej
- 2. Pokrywa czołowa



Nałóż kilka kropli wysokiej jakości oleju do maszyn do szycia w miejscu wskazanym strzałkami na rysunkach. W przypadku maszyn w ciągłym użyciu, olej należy nakładać dwa lub trzy razy w roku.

W przypadku, gdy maszyna nie działa płynnie z powodu beczynności przez pewien czas, nałóż kilka kropli nafty w miejscu smarowania i obracaj maszyną szybko przez minutę. Przed smarowaniem należy wytrzeć miejsca smarowania.



**UWAGA**

**Przed rozpoczęciem korzystania z urządzenia należy odłączyć zasilanie**

# PROBLEMY I ICH ROZWIĄZANIA

Problem	Przyczyna	Rozwiązanie
Nic górna zrywa się	<ol style="list-style-type: none"> <li>1. Niewłaściwe nawleczenie górnej nici.</li> <li>2. Nadmierne naprężenie górnej nici</li> <li>3. Tępa lub wygięta igła</li> <li>4. Nieprawidłowe zamocowanie igły.</li> <li>5. Na początku szycia górna i dolna nić nie są prawidłowo zamocowane pod dociskaczem.</li> <li>6. Nić jest nieodpowiednia</li> </ol>	<ol style="list-style-type: none"> <li>1. Ponowne nawleczenie górnej nici. (Patrz strona 7)</li> <li>2. Wyreguluj naprężenie górnej nici. (Patrz strona 9.)</li> <li>3. Wymień igłę. (Patrz strona 10.)</li> <li>4. Ponownie zainstalować igłę. (Patrz strona 10.)</li> <li>5. Prawidłowe działanie. (Patrz strona 7, 9.)</li> <li>6. Wymiana właściwej nici. (Patrz strona 10.)</li> </ol>
Zerwana nić szpulki	<ol style="list-style-type: none"> <li>1. Nić bębena nie jest prawidłowo nawleczona w bębenu.</li> <li>2. Kawałki bawełny zebrały się na przewodnicy.</li> <li>3. Szpulka jest uszkodzona (nieвозмоżliwy płynny obrót)</li> </ol>	<ol style="list-style-type: none"> <li>1. Ponownie nawlecz nić na szpulkę. (Patrz strona 9)</li> <li>2. Wyczyść przewodnicę chwytacza. (Patrz strona 23.)</li> <li>3. Wymień szpulkę. (Patrz strona 6.)</li> </ol>
Igła się łamie	<ol style="list-style-type: none"> <li>1. Nieprawidłowe zamocowanie igły.</li> <li>2. Tępa lub wygięta igła.</li> <li>3. Śruba zacisku igły jest poluzowana.</li> <li>4. Nadmierne napięty górny naciąg.</li> <li>5. Zbyt cienka igła.</li> </ol>	<ol style="list-style-type: none"> <li>1. Ponownie zamontować igłę. (Patrz strona 10.)</li> <li>2. Wymień igłę. (Patrz strona 10.)</li> <li>3. Dokręć śrubę mocującą igłę.</li> <li>4. Wyregulować górne naprężenie. (Patrz strona 9.)</li> <li>5. Wymień właściwą igłę. (Patrz strona 10.)</li> </ol>
Pomijanie ściegów	<ol style="list-style-type: none"> <li>1. Nieprawidłowo założona igła</li> <li>2. Igła krzywa lub stępiona</li> <li>3. Nieodpowiednio dobrana grubość nici lub rozmiar igły</li> <li>4. Nieprawidłowo nawleczona nić górna</li> </ol>	<ol style="list-style-type: none"> <li>1. Nieprawidłowo założona igła</li> <li>2. Ponownie załóż igłę zgodnie z instrukcją</li> <li>3. Zmień igłę na nową</li> <li>4. Dobierz właściwy rozmiar igły i rodzaj nici do szytej tkaniny</li> <li>5. Nawlecz maszynę ponownie zgodnie z instrukcją.</li> </ol>
Marszczenie szwów	<ol style="list-style-type: none"> <li>1. Zbyt duże naprężenie górnej nitki</li> <li>2. Nieprawidłowo nawleczona nić górna</li> <li>3. Ustawiono zbyt długi ścieg. Jeżeli szyjesz bardzo cienki materiał</li> <li>4. Podłóż pod niego kawałek papieru lub włókniny</li> </ol>	<ol style="list-style-type: none"> <li>1. Zmniejsz naprężenie nitki górnej</li> <li>2. Nawlecz maszynę ponownie zgodnie z instrukcją</li> <li>3. Zmniejsz długość ściegu</li> </ol>
Materiał przesuwa się niejednostajnie	<ol style="list-style-type: none"> <li>1. Długość ściegu ustawiona jest na 0</li> <li>2. Kończy się dolna nitka w bębenu</li> </ol>	<ol style="list-style-type: none"> <li>1. Zwiększ długość ściegu</li> <li>2. Nawiń nitkę na szpulkę</li> </ol>
Maszyna nie działa	<ol style="list-style-type: none"> <li>1. Maszyna nie jest podłączona do zasilania</li> <li>2. Wyłącznik maszyny znajduje się w pozycji „0”</li> <li>3. Trzpień nawlekkacza szpulki jest przesunięty w prawo</li> <li>4. Nitka zahaczyła o bolec bębena</li> </ol>	<ol style="list-style-type: none"> <li>1. Umieść wtyczkę w gniazdku</li> <li>2. Ustaw wyłącznik w pozycji „1”</li> <li>3. Przesuń trzpień nawlekkacza w lewo na jego właściwą pozycję, kiedy nie jest używany</li> <li>4. Załóż prawidłowo szpulkę i bębenek</li> </ol>
Blokowanie się nici	<ol style="list-style-type: none"> <li>1. Podnośnik stopki nie opuszcza się podczas szycia.</li> <li>2. Nieprawidłowe nawlekanie górnej nici.</li> <li>3. Nieprawidłowe nawlekanie szpulki.</li> </ol>	<ol style="list-style-type: none"> <li>1. Opuść podnośnik stopki. (Patrz strona 4.)</li> <li>2. Ponowne nawleczenie górnej nici. (Patrz strona 7.)</li> <li>3. Ponowne nawleczenie nici dolnej. (Patrz strona 9.)</li> </ol>

# Wichtige Sicherheitshinweise

Bitte lesen Sie diese Anleitung sorgfältig durch, bevor Sie diese Nähmaschine benutzen.

Wenn Sie Ihre Nähmaschine benutzen, sollten Sie grundlegende Sicherheitsvorkehrungen beachten, einschließlich der folgenden Gefahrenpunkte.

## Gefahr -Um das Risiko eines Stromschlags zu verringern.

1. Verwenden Sie die Nähmaschine nicht als Spielzeug. Achten Sie auf Kinder, wenn Sie die Nähmaschine benutzen oder wenn Sie die Nähmaschine in der Nähe von Kindern benutzen.
2. Kinder ab 8 Jahren, Personen mit schwachen körperlichen oder geistigen Fähigkeiten, Unerfahrenheit und mangelnden Kenntnissen sollten die Maschine nur unter sicherer Aufsicht und Anleitung benutzen dürfen und sich der damit verbundenen Gefahren bewusst sein. Kinder sollten nicht mit der Maschine spielen. Reinigung und Wartung sollten nicht von Kindern ohne Aufsicht durchgeführt werden.
3. Diese Nähmaschine darf nur für die in dieser Anleitung genannten Zwecke verwendet werden. Verwenden Sie nur das vom Hersteller in dieser Anleitung empfohlene Zubehör.
4. Benutzen Sie die Nähmaschine nicht weiter, wenn das Netzkabel oder der Stecker gebrochen ist, wenn die Nähmaschine nicht richtig funktioniert, wenn die Maschine fallen gelassen oder beschädigt wurde oder wenn sie ins Wasser gefallen ist. Bringen Sie die Nähmaschine zur Überholung, elektrischen oder mechanischen Einstellung zum nächsten autorisierten Händler oder Reparaturzentrum.
5. Blockieren Sie keine Lüftungsöffnungen, wenn Sie die Nähmaschine betreiben. Achten Sie darauf, dass sich in den Lüftungsöffnungen der Nähmaschine und im Pedalsteuergerät keine Flusen, Staub und Lappen ansammeln.
6. Achten Sie darauf, dass keine Fremdkörper in die Öffnungen der Maschine fallen oder hineingesteckt werden.
7. Verwenden Sie die Maschine nicht im Freien.
8. Verwenden Sie die Maschine nicht an Orten, an denen Aerosole verwendet werden oder Sauerstoff gelagert wird.
9. Um die Stromversorgung zu unterbrechen, schalten Sie den Schalter in die Position OFF ( " O " ), bevor Sie den Stecker aus der Steckdose ziehen.
10. Ziehen Sie beim Herausziehen des Netzsteckers nicht direkt am Kabel, sondern halten Sie es am Stecker fest.
11. Berühren Sie keine beweglichen Teile mit den Fingern, und seien Sie besonders vorsichtig in der Nähe der Nadel.
12. Achten Sie darauf, dass Sie eine geeignete Nadelplatte verwenden, da dies zum Bruch der Nadel führen kann.
13. Verwenden Sie keine verbogenen Maschinennadeln.
14. Schieben oder ziehen Sie beim Nähen nicht am Stoff, da dies zum Verbiegen oder Bruch der Nadel führen kann!
15. Wenn Sie Einstellungen in der Nähe der Nadel vornehmen, wie z. B. Einfädeln der Nadel, Wechseln der Nadel, Einfädeln der Spule, Wechseln des Nähfußes usw., stellen Sie den Netzschalter der Nähmaschine auf " O " und schalten Sie die Maschine aus.
16. Trennen Sie die Maschine unbedingt von der Stromversorgung, wenn Sie die Abdeckung öffnen, die Maschine schmieren oder eine der in dieser Anleitung genannten Wartungs- und Einstellarbeiten durchführen.
17. Um Verletzungen zu vermeiden, sollten Sie die folgenden Vorsichtsmaßnahmen treffen:
  - Schalten Sie die Nähmaschine aus und ziehen Sie den Netzstecker, wenn sie unbeaufsichtigt gelassen wird.
  - Ziehen Sie den Netzstecker, bevor Sie Wartungsarbeiten durchführen oder die Glühbirne auswechseln.

**VORSICHT**--Trennen Sie die Maschine unbedingt von der Stromversorgung, bevor Sie die oben genannten Schritte durchführen.

Bewahren Sie diese Anweisung an einem sicheren Ort auf.



Bitte beachten Sie bei der Entsorgung, dass dieses Produkt in Übereinstimmung mit den nationalen Vorschriften für elektronische/elektrische Produkte sicher recycelt werden muss. Wenn dies nicht klar ist, wenden Sie sich bitte an Ihren Händler vor Ort.



# CONTENTS

## 1. Verstehen der Nähmaschinen

Bezeichnung der Teile .....	2
Zubehör .....	3
Installation der Nähmaschine.....	3
Anschließen und Trennen des Netzschalter/ Pedalsteuergerät .....	3
Netz-/Lichtschalter.....	3
Umrüstung auf eine Röhrenbodennähmaschine.....	4
Nähfußfußgriff .....	4
Knopf für die Rückwärtsnaht.....	4
Stickereiplatte.....	4
Nähanzeigelinie.....	5
Einstellen der Fadeneinlegesäul.....	5
Aufspulen der Spule.....	5
Spulenkapsel laden .....	6
Nähfuß montieren/demontieren.....	6
Parallelführungsschiene (optional).....	6
Einfädeln der Oberfaden.....	7
Einfädeln der Oberfaden(Doppelnadel).....	7
Verwendung des automatischen Einfädlers.....	8
Einfädeln des Unterfadens.....	9
Einstellen der Oberfadenspannung.....	9
Nadel-, Faden- und Stofftabellen.....	10
Nadelwechsel.....	10
Musterauswahl.....	11
Auswahl der Strecknaht.....	11
Einstellung des Nadelabstands.....	11
Tipps zum Nähen .....	12

## 2. Praktische Naht

Geradnaht.....	13
Zickzacknaht (ZZ-Stich).....	14
Overlocknaht.....	14
Steppstich.....	14
Schräгнаht.....	15
Dreifachnaht.....	15
Knopfnaht.....	16
Knopflochnaht.....	17
Overlock-Knopflochnaht.....	18
Reißverschlussnaht.....	18
Verdeckte(Blindnadelnaht) Naht.....	19

## 3. Ziernaht

Schalenformnaht.....	20
Verstärkte Formnaht.....	20
Dekorativer Formnaht.....	21
Gebrochene Fallennaht.....	21
Kastenförmige Naht.....	22
Freiformnaht .....	22

## 4. Wartung der Maschine

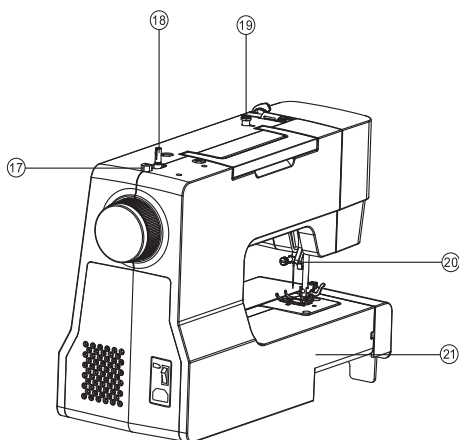
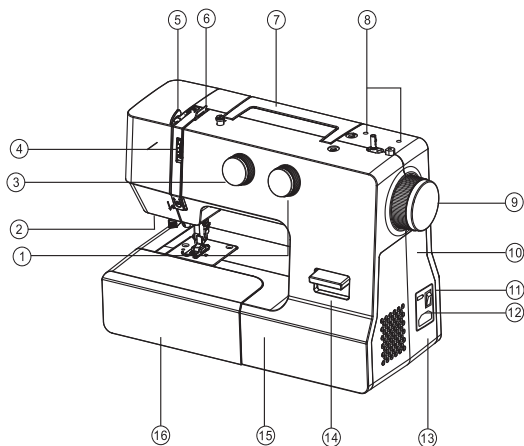
Reinigung und Wartung des Nähkessels.....	23
Reinigung der Stofftransportzähne.....	24
Ölen der Nadelstange.....	25

## 5. Fehlerbehebung .....

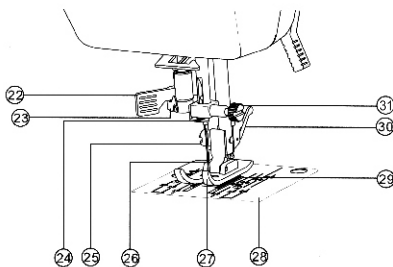
# Verstehen der Nähmaschinen

## BEZEICHUNG DER TEILE

- 1 Nadelabstandsknopf
- 2 Fadenschneider
- 3 Musterknopf
- 4 Spannungseinstellknopf des Einfädels
- 5 Stange zum Fadenanzug (Skala)
- 6 Fadenkreuzungsplatte
- 7 Handgriff
- 8 Fadeneinlegesäule
- 9 Handrad
- 10 Seitliche Abdeckung
- 11 Stromhalterung
- 12 Netzschalter
- 13 Regler-Buchse
- 14 Knopf für die Rückwärtsnaht
- 15 Frontabdeckung
- 16 Zubehörkasten
- 17 Rad
- 18 Fadenaufspuler
- 19 Fadenaufwickler
- 20 Nähfußgriff
- 21 Rückabdeckung
- 22 Automatischer Einfädler
- 23 Fadenführer des Fadenaufwicklers



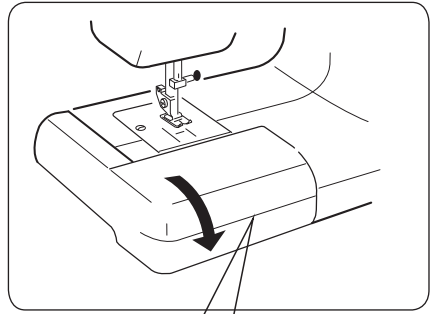
- 24 Fadenaufwickler der Nadelstange
- 25 Nähfuß-Einstellschraube
- 26 Maschinennadel
- 27 Nähfuß
- 28 Nadelplatte
- 29 Stofftransportzähne
- 30 Nähfußhalterung
- 31 Nadelklammerschraube



# Verstehen der Nähmaschinen

## ZUBEHÖR

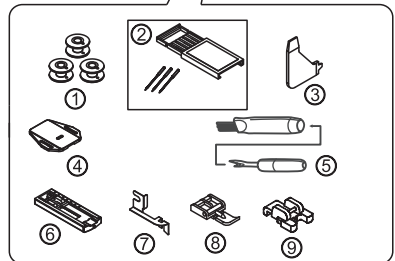
1. Spule (3 Stück)
2. Nadelkasten (einschließlich 3 Maschinennadeln)
3. Mehrzweckmesser
4. Stickereiplatte
5. Fadenmesser, Bürste
6. Knopfloch-Nähfuß
7. Führungsnähfuß
8. Reißverschluss-Nähfuß
9. Klammernähfuß



Der an der Nähmaschine montierte Nähfuß wird als Zickzack-Nähfuß bezeichnet und wird für die meisten Nähvorgänge verwendet.

## INSTALLATION DER NÄHMASCHINE

Bevor Sie die Nähmaschine zum ersten Mal benutzen, entfernen Sie Ölreste aus dem Bereich der Nadelplatte.

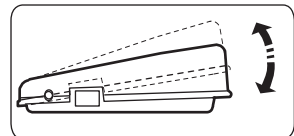
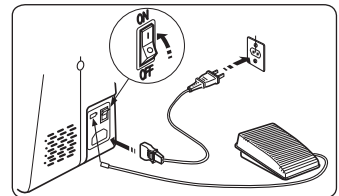


## ANSCHLIEßEN UND TRENNEN DER STROMVERSORGUNG/DES PEDALSTEUERGERÄTS

Vergewissern Sie sich, dass die Stromversorgung der Nähmaschine ausgeschaltet ist (der Netzschalter muss auf "O" stehen), und stecken Sie dann die Stecker des Pedalsteuergeräts wie in der Abbildung gezeigt in die Steckdose der Maschine bzw. in die Wandsteckdose.

Bevor Sie den Stecker des Netzkabels und des Pedalsteuergeräts abziehen, schalten Sie unbedingt die Stromversorgung der Nähmaschine aus (Schalter auf "O").

Die Laufgeschwindigkeit der Nähmaschine kann mit dem Pedalsteuergeräts eingestellt werden. Je tiefer das Pedal gedrückt wird, desto schneller ist die Laufgeschwindigkeit.

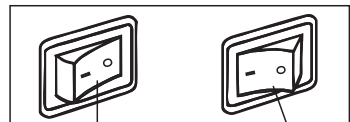


**Hinweis:** Die Maschine kann nicht nähen, wenn das Pedalsteuergeräts nicht an die Maschine angeschlossen ist.



**VORSICHT**

Trennen Sie das Gerät immer durch Ziehen des Steckers von der Netzsteckdose.



Leistung/Licht Schalter "AUS"

Leistung/Licht Schalter "ON"

## Ausschalten des Netz-/Lichtschalters

Die Maschine kann nur betrieben werden, wenn der Netz-/Lichtschalter eingeschaltet ist, der Strom und Licht steuert.

Bei Wartungsarbeiten an der Maschine und beim Auswechseln von Nadeln muss die Maschine von der Stromversorgung getrennt werden.

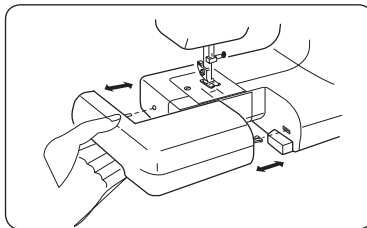
# Verstehen der Nähmaschinen

## UMRÜSTUNG AUF EINE RÖHRENPLATTENÄHMASCHINE

Ihre Nähmaschine kann sowohl als Flachplatte- als auch als Röhrenplattennähmaschine verwendet werden.

Bringen Sie den Zubehörkasten an, der die Arbeitsfläche vergrößert, und verwenden Sie die Maschine wie ein Standard-Flachplattenmodell.

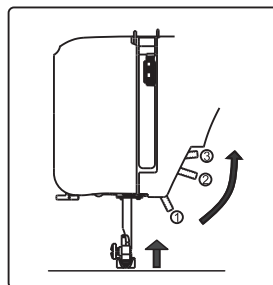
Um den Zubehörkasten abzunehmen, halten Sie den Kasten in der linken Hand und ziehen Sie sie kräftig nach links, wie rechts abgebildet. Bringen Sie den Zubehörkasten wieder an, indem Sie ihn zurückschieben, bis er mit einem Klick einrastet. Wenn der Zubehörkasten entfernt ist, wird die Maschine zu einer langen, dünnen, Röhrenplatte zum Nähen von Kinderkleidung, Ärmeln, Hosenbeinen und anderen schwer zu nähenden Stellen.



## NÄHFUßGRIFF

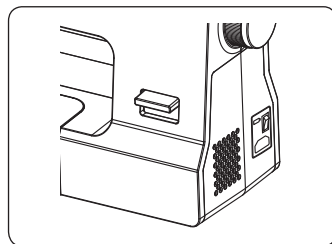
Der Nähfuß hat drei Stellungen.

1. Senken Sie den Nähfuß zum Nähen ab.
2. Den Nähfußgriff in die mittlere Position heben, um Stoff einzufügen oder zu entfernen.
3. Den Nähfuß zum Wechseln des Nähfußes oder zum Entfernen von dicken Stoffen in die höchste Position anheben.



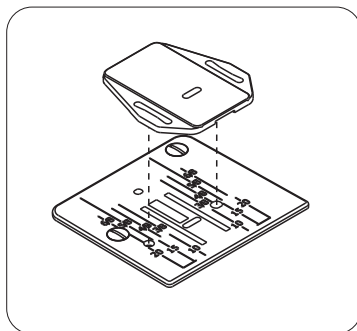
## KNOPF FÜR DIE RÜCKWÄRTSNAHT

Wenn die Taste für die Rückwärtsnaht gedrückt wird, näht die Maschine eine Rückwärtsnaht, d. h. sie transportiert den Stoff rückwärts.



## STICKEREIPLATTE

Wenn Sie freihändig nähen oder Knöpfe annähen, kann die Stickereiplatte wie rechts abgebildet angebracht werden.

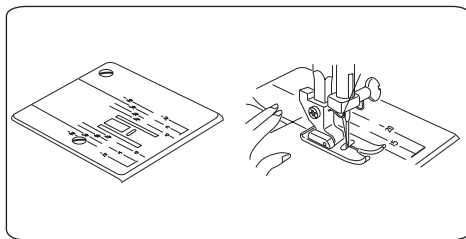




# Verstehen der Nähmaschinen

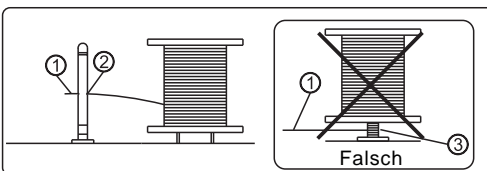
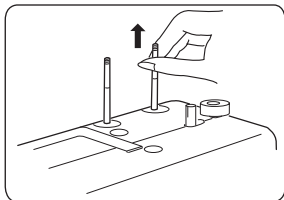
## NÄHANZEIGELINIE

Auf der Nadelplatte sind Zahlen eingraviert, die sich auf den Abstand von der Nadelmitte zur eingravierten Linie beziehen. Die Zahlen auf der Vorderseite sind metrisch (in:mm) und die auf der Rückseite imperial (in: Zoll).



## EINSTELLEN DER FADENEINLEGESÄULE

Die Fadeneinlegesäule dient dazu, den Nähfaden reibungslos in die Maschine fließen zu lassen. Ziehen Sie die Fadeneinlegesäule heraus, wenn Sie die Maschine benutzen, und drücken Sie die Fadeneinlegesäule herunter, wenn Sie die Maschine nicht mehr benutzen.

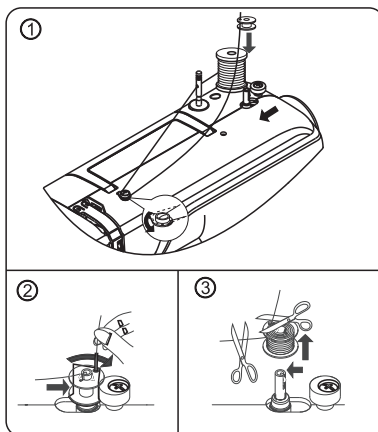


① Einfädeln    ② Loc    ③ Verwickelt

**Hinweis:** Um zu vermeiden, dass sich der Faden während des Gebrauchs auf die Fadeneinlegesäule verwickelt (wie oben rechts abgebildet), sollte der Faden durch das Loch auf der anderen Fadeneinlegesäule gefädelt werden (wie oben links abgebildet), wobei das Loch auf der Fadeneinlegesäule zur anderen Fadeneinlegesäule zeigt.

## AUFSPULEN DER SPULE

1. Setzen Sie eine Spule wie abgebildet in den Nadelhalter auf der linken Seite ein, ziehen Sie den Faden aus der Spule und wickeln Sie den Faden zur Hälfte um den Fadenaufwickler. Setzen Sie die Spule in die Achse des Fadenaufspulers ein (vergewissern Sie sich, dass sich die Achse des Fadenaufspulers in der äußersten linken Position befindet, da Sie die Spule sonst möglicherweise nicht einlegen können).
2. Dädeln Sie den Faden durch das Spulenloch und ziehen Sie ihn von oben heraus. Schieben Sie die Aufspulerachse nach rechts, bis sie einrastet. Halten Sie den Faden fest.
3. Starten Sie die Maschine. Wenn die Spule vollständig aufgespult ist, hört sie automatisch auf, sich zu drehen, schieben Sie die Welle nach links, nehmen Sie die Spule heraus und schneiden Sie den Faden ab.



# Verstehen der Nähmaschinen

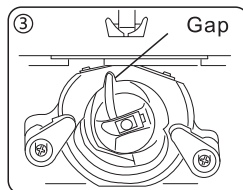
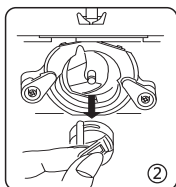
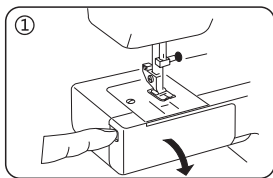
## SPULENKAPSEL LADEN

1. Siehe Seite 4, entfernen Sie den Zusatzkasten von der Maschine, drehen Sie das Handrad, um die Nadel anzuheben und öffnen Sie den Kesseldeckel.
2. Nehmen Sie die Spulenkapsel aus dem Kessel, indem Sie mit den Fingern an der Spulenkapselverriegelung ziehen (siehe Abbildung).
3. Die Spulenkapsel muss so eingelegt werden, dass der Spulenkapsel-Fixierhebel mit der Fixierkerbe am Kesseldeckel ausgerichtet ist.



**VORSICHT**

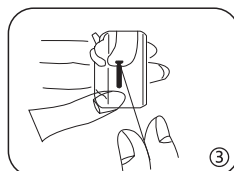
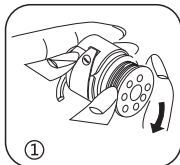
Trennen Sie die Maschine unbedingt von der Stromversorgung, bevor Sie die oben genannten Schritte durchführen.



## EINSETZEN DER SPULE IN DIE SPULENKAPSEL

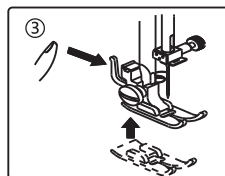
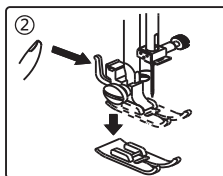
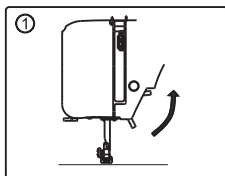
1. Setzen Sie die Spule in die Spulenkapsel ein und vergewissern Sie sich, dass der Faden in Pfeilrichtung herausgezogen werden kann.
2. Ziehen Sie den Faden in den Schlitz der Spulenkapsel.
3. Führen Sie den Faden durch die Unterkante der Spule und ziehen Sie ihn durch den Fadenauslass heraus.

\* Ziehen Sie den Faden etwa 10 cm heraus.



## NÄHFUß MONTIEREN/DEMONTIEREN

1. Drehen Sie das Handrad, um sicherzustellen, dass sich die Nadel in der höchsten Position befindet, und heben Sie den Nähfußträger an.
2. Entfernen Sie den Nähfuß, indem Sie den Nähfußhalter nach unten drücken.
3. Setzen Sie den gewünschten Nähfuß in die Nadelplatte ein und richten Sie den Nähfußstift auf den Nähfußhalter aus.
4. Senken Sie den Nähfußgriff ab, dass die Nähfußklammer in den Nähfuß gleitet.



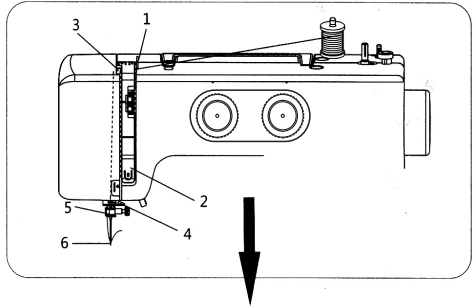
## PARALLELFÜHRUNGSSCHIENE (OPTIONAL)

Bringen Sie die Parallelführungsstange wie in der Abbildung gezeigt in den Schlitz des Nähfußes an und stellen Sie die Position entsprechend Ihren Nähanforderungen ein.

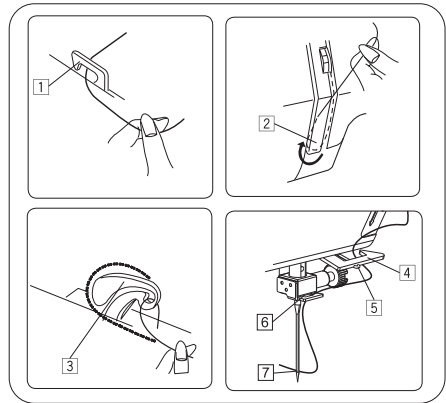
# Verstehen der Nähmaschinen

## EINFÄDELN DER OBERFADEN

Drehen Sie das Handrad in Ihre Richtung, heben Sie die Stange zum Fadenanzug (Skala) bis zum höchsten Punkt an, heben Sie den Nähfuß an, befestigen Sie den Nähfaden an der Einsetzsäule, ziehen Sie den Faden hinten aus der Einsetzsäule heraus (wie in der Abbildung gezeigt) und fädeln Sie dann den Faden wie folgt ein:



1. Führen Sie den Faden durch die Fadenkreuzungsplatte.
2. Ziehen Sie den Faden leicht an und führen Sie ihn durch die Fadenklemme, wie in der Abbildung gezeigt.
3. Fädeln Sie den Faden von rechts nach links in die Stange zum Fadenanzug (Skala) ein.
4. Ziehen Sie den Faden nach unten und schieben Sie sie in den Fadenabwickler unter der Platte.
5. Beim Einfädeln des Fadens in den Fadenaufwickler ist es nicht notwendig, den Faden in der Doppelnadelgrenzfeder zu fangen.
6. Ziehen Sie den Faden weiter nach unten und schieben Sie ihn in den Fadenaufwickler an der Nadelstange.
7. Führen Sie den Faden von vorne durch das Nadelöhr.

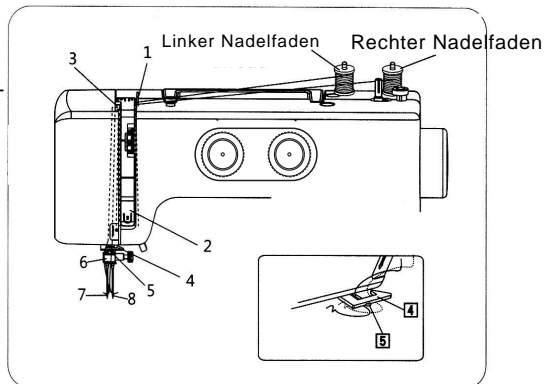


\*Um das Einfädeln zu erleichtern, können Sie den überschüssigen Faden mit einer Schere abschneiden.

## EINFÄDELN DER OBERFADEN (DOPPELNADSEL)

Schritte zum Einfädeln eines Doppelnadel-Nudelfadens:

1. Beziehen Sie sich beim Einfädeln des linken Nadelfadens auf die ersten 4 Schritte des Einfädelns mit einer einzelnen Nadel, lassen Sie dann den Faden in die Innenseite der Doppelnadelgrenzfeder einrasten, wie in Abbildung 5 gezeigt, und fädeln Sie den Faden schließlich von der Vorderseite in das linke Nadelloch 7 ein.
2. Fädeln Sie den rechten Nadelfaden unter Bezugnahme auf die Schritte des Einfädelns der einfachen Nadel ein und fädeln Sie dann den Faden von der Vorderseite in das rechte Nadelloch 8 ein.



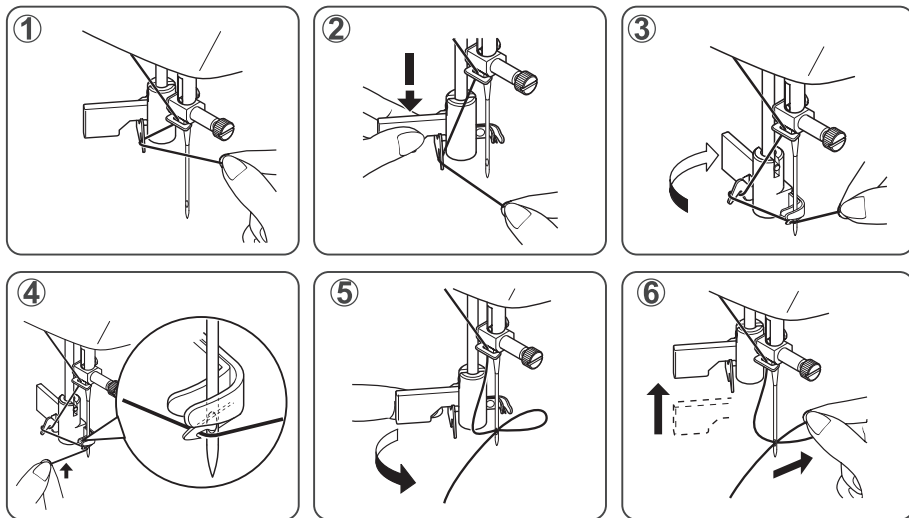
**Hinweis:** Fädeln Sie zuerst den linken Nadelfaden und dann den rechten Nadelfaden ein. Nachdem Sie die Spule auf den Fadenhalter gesetzt haben, achten Sie darauf, dass die Spule im Uhrzeigersinn gearbeitet wird.

# Verstehen der Nähmaschinen

## VERWENDUNG DES AUTOMATISCHEN DRAHTEINFÄDLERS

1. Haken Sie den Faden wie in der Abbildung gezeigt in den Fadenaufwickler ein.
2. Halten Sie den Faden fest und ziehen Sie den Hebel nach unten.
3. Drehen Sie den Hebel in Richtung der Rückseite der Maschine.
4. Führen Sie den Faden in das Hakenende und ziehen Sie den Faden nach oben.
5. Den Hebel zurückstellen und die Maschinennadel wird den Faden automatisch einfädeln.
6. Lassen Sie den Hebel los und ziehen Sie den Faden von sich weg.

**Hinweis: Wenn Sie einen Fadenaufwickler verwenden, empfiehlt es sich, eine Geradnaht zu wählen, um ein gleichmäßiges Einfädeln zu gewährleisten.**



**Hinweis: Der automatische Einfädler ist nur für den automatischen Universal-Nähfuß/einfädler geeignet und kann nicht für Doppelnadeln verwendet werden.**

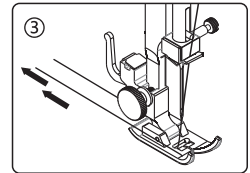
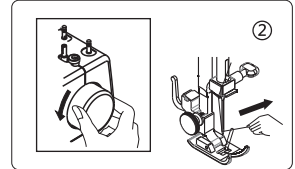
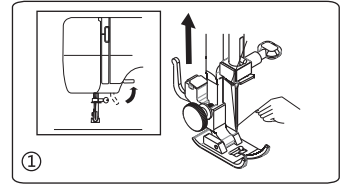
# Verstehen der Nähmaschinen

## EINFÄDELN DES UNTERFADENS

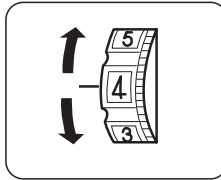
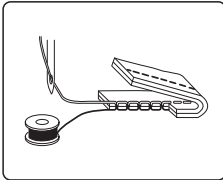
1. Heben Sie den Nähfuß an und ziehen Sie vorsichtig mit der linken Hand am Fadenende.

2. Drehen Sie mit der rechten Hand das Handrad langsam um 2 bis 3 Umdrehungen in Ihre Richtung und heben Sie dann die Nadel bis zum höchsten Punkt an; an diesem Punkt kann der Unterfaden durch leichtes Ziehen am Oberfaden herausgezogen werden.

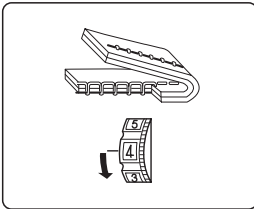
3. Ziehen Sie den Oberfaden und den Unterfaden 15cm unter dem Nähfuß hervor und legen Sie sie unter den Nähfuß.



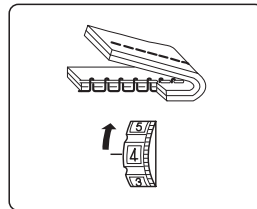
## EINSTELLEN DER OBERFADENSPIANNUNG



Das Aussehen des Sticks hängt hauptsächlich davon ab, ob die Spannung des Ober- und Unterfadens ausgeglichen ist oder nicht. Beim Nähen in einer geraden Linie sollten Ober- und Unterfaden in der Mitte des Stoffes verwoben sein.



Wenn der Oberfaden zu locker ist, drehen Sie den Knopf auf einen größeren Wert, um den Oberfaden fester zu ziehen



Wenn der Oberfaden zu fest ist, drehen Sie den Knopf auf einen kleineren Wert, um den Faden zu lockern.

**\*Um eine bessere Zickzacknaht zu erhalten, ist die Spannung des Oberfadens im Allgemeinen schwächer als die des Unterfadens, d. h. der Oberfaden liegt auf der Rückseite des Stoffes, der Unterfaden darf aber nicht auf der Vorderseite des Stoffes liegen.**

# Verstehen der Nähmaschinen

## NADEL-, FADEN- UND STOFFTABELLEN

Der Stoff bestimmt die Wahl von Nadel und Faden. Die nachstehende Tabelle dient als praktischer Leitfaden für die Auswahl von Nadel und Faden. Prüfen Sie diese Tabelle, bevor Sie eine neue Näharbeit beginnen. Achten Sie immer darauf, dass die Fadenstärke und der Fadentyp des Unterfadens mit der Fadenstärke und dem Fadentyp des Oberfadens übereinstimmen.

	Stoff	Faden	Nadelstärke
Dünnere Stoff	Doppelkrepp, Bari, Cicada, Georgette, Hochwertiger dicht gewebter Tüll	Feiner Seidenfaden, feiner Baumwollfaden, feiner Kunstfaserfaden, feines baumwollbeschichtetes Polyesterfaden	9 oder 11
Normaler Stoff	Hanf, Baumwolle, Noppengewebe, Waki, Doppelgewirke, hochwertiger, dicht gewebter Musselin	50 Seidenfaden, 50-80 Baumwollfaden, 50-60 Kunstfaserfaden, baumwollbeschichtetes Polyesterfaden	11 oder 14
Dicker Stoff	Denim, Köper, Gingham	50 Seidenfaden, 40-50 Baumwollfaden, 40-50 Kunstfaserfaden, baumwollbeschichtetes Polyesterfaden	14 oder 16



**VORSICHT**

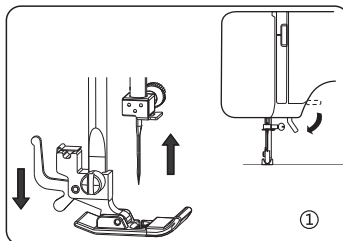
**Trennen Sie die Maschine unbedingt von der Stromversorgung, bevor Sie die oben genannten Schritte durchführen.**

### NADELWECHSEL

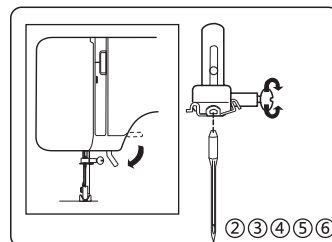
1. Drehen Sie das Handrad in Ihre Richtung (gegen den Uhrzeigersinn), um die Nadel bis zum höchsten Punkt anzuheben, und senken Sie dann den Nähfuß ab.
2. Drehen Sie die Nadelfutterschraube in Ihre Richtung (gegen den Uhrzeigersinn), um die Nadel zu lösen.
3. Entfernen Sie die Nadel aus dem unteren Teil der Maschine.
4. Setzen Sie die neue Nadel mit dem flachen Ende zu Ihnen zeigend in das Nadelfutter ein.
5. Schieben Sie die Nadel so weit wie möglich nach oben.
6. Drehen Sie die Nadelfutterschraube im Uhrzeigersinn.

**Hinweis:** Ziehen Sie sie angemessen, aber nicht zu fest an.

**Tipp:** Legen Sie ein Stück Stoff unter den Nähfuß und senken Sie den Fuß ab, um die Nadel zu wechseln und um zu verhindern, dass die Nadel in den Fadenplattenschlitz fällt.

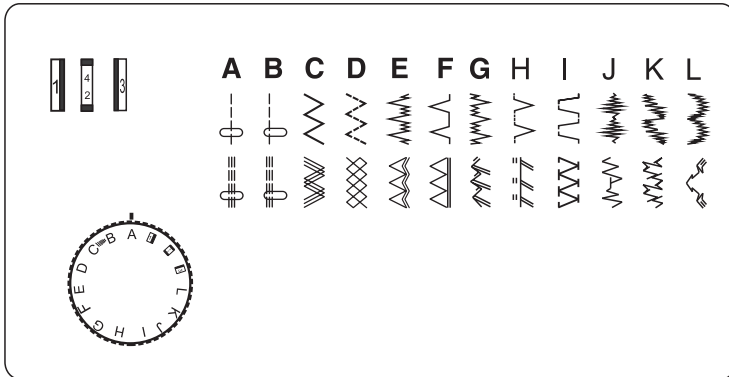


Die Nadel sollte von Zeit zu Zeit überprüft werden, denn stumpfe oder abgenutzte Nadeln können leicht den Stoff beschädigen.



# Verstehen der Nähmaschinen

## MUSTERAUSWAHL



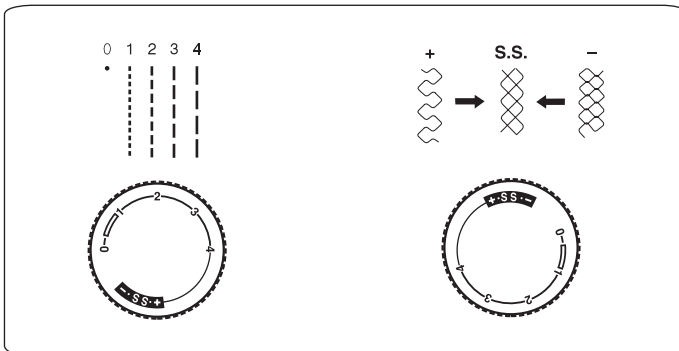
Heben Sie die Nadel bis zur Oberkante des Stoffes und drehen Sie den Musterknopf in die Position, in der Sie das Muster nähen möchten.

## AUSWAHL DER STRECKNAHT

Stellen Sie den Nadelabstandsknopf auf die Position "S.S", wenn Sie die Strecknaht auswählen. Wenn die Menge des vorwärts und rückwärts transportierten Stoffes unausgewogen wird, stellen Sie ihn wie folgt ein.

Wenn die Musterlänge vergrößert werden soll, stellen Sie den Nadelabstandsknopf in Richtung "+" .

Wenn die Musterlänge verringert werden soll, stellen Sie den Nadelabstandsknopf in Richtung "-" ein.



## EINSTELLUNG DES NADELABSTANDS

\*Drehen Sie den Nadelabstandsknopf, um den gewünschten Nadelabstand einzustellen.

\*Je größer die Zahl, desto größer ist der Nadelabstand, so dass Sie den Nadelabstand nach Ihren Bedürfnissen wählen können.

\*Der Nadelabstandsbereich für Zickzacknähte beträgt 0,3-4.

\*Zeigt den Bereich des offenen Knopflochstichs an.

\*Die Standardposition des Nadelabstandsknopfs für Strecknähte ist "S S" .

# Verstehen der Nähmaschinen

## TIPPS ZUM NÄHEN

Im Folgenden finden Sie einige Möglichkeiten, um gute Nähergebnisse zu erzielen. Sie können sich beim Nähen an diesen Techniken orientieren.

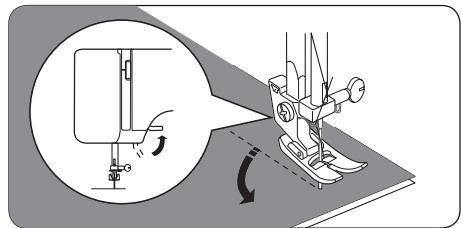
### 1. Testnähen

Nähen Sie mit verschiedenen Stichbreiten und -längen und wählen Sie diejenige, die am besten aussieht. Wählen Sie beim Nähen die Stichbreite und -länge, die Ihnen am besten gefällt.

Verwenden Sie beim Probenähen denselben Stoff und denselben Faden wie beim Nähen, und überprüfen Sie die Fadenspannung. Da der Effekt je nach Stichart und Anzahl der Stofflagen, die Sie nähen, unterschiedlich ist, sollten Sie das Probenähen unter denselben Bedingungen wie beim Nähen durchführen.

### 2. Ändern der Nährichtung

Halten Sie zunächst die Maschine an und drehen Sie mit der rechten Hand das Handrad in Ihre Richtung, so dass die Nadel in den Stoff eingestochen wird. Heben Sie den Nähfuß an und benutzen Sie die Nadel als Drehpunkt, um den Stoff in die gewünschte Richtung zu drehen, dann drücken Sie das Pedalsteuergerät und nähen weiter.



### 3. Kurven nähen

1) Halten Sie den Nähvorgang an und ändern Sie dann die Nährichtung leicht, um entlang einer Kurve zu nähen.

2) Wenn Sie mit einem Zickzackstich entlang einer Kurve nähen, wählen Sie eine kürzere Stichlänge an der Kurve, um ein besseres Stichergebnis zu erzielen.

### 4. Dicke Stoffe nähen

\*Stoffe, die sich nur schwer unter den Nähfuß legen lassen

Wenn sich der Stoff nur schwer unter den Nähfuß legen lässt, heben Sie den Nähfuß in die höchste Position an (Einzelheiten siehe Seite 4) und legen Sie den Stoff unter den Nähfuß.

### 5. Nähen mit dehnbaren Stoffen oder Stoffen, die zu ausgelassenen Stichen neigen

Verwenden Sie eine Rundkopfnadel und eine größere Stichlänge. Legen Sie ggf. ein Stück Futterstoff unter den Stoff und nähen Sie es mit dem Stoff zusammen.

### 6. Nähen von dünnen Stoffen oder Seide

Beim Nähen von dünnen Stoffen oder Seidenstoffen kann es vorkommen, dass der Stich abweicht oder nicht richtig in den Stoff gedrückt wird. Legen Sie in diesem Fall ein Stück Futterstoff unter den Stoff und nähen Sie es mit dem Stoff zusammen.

### 7. Nähen von dehnbaren Stoffen

Nähen Sie zunächst mehrere Stoffstücke zusammen und nähen Sie dann ohne Dehnung des Stoffes.

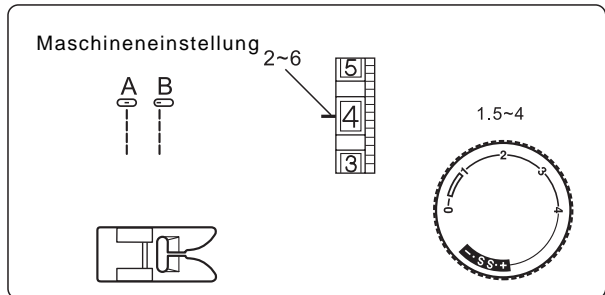
### 8. Freiarmmethode verwenden

Wenn Sie röhrenförmige oder schwer zugängliche Stellen nähen, können Sie die Freiarmnähfunktion verwenden (siehe Seite 4 für Einzelheiten).



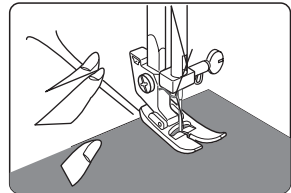
# Praktische Naht

## GERADNAHT

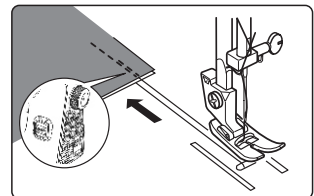


Heben Sie den Nähfuß an, legen Sie den Nähstoff ein und positionieren Sie die andere Kante des Stoffes so, dass sie sich gerade über der Nähzeigelinie der Nadelplatte befindet, dann drehen Sie das Handrad mit der rechten Hand so, dass die Nadel in den Nähstoff eingeführt wird.

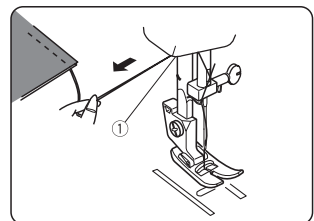
Senken Sie dann den Nähfuß, ziehen Sie den Endfaden zurück und drücken Sie leicht auf das Pedalsteuergerät, um die Stoffkante entlang der Nähzeigelinie zu transportieren.



Um sicherer zu nähen, drücken Sie nach Beendigung des Nähvorgangs den Knopf für die Rückwärtsnaht, um einige Stiche rückwärt zu nähen, und bewegen Sie dann den Nähstoff, während Sie den Nahtfaden zurückziehen.



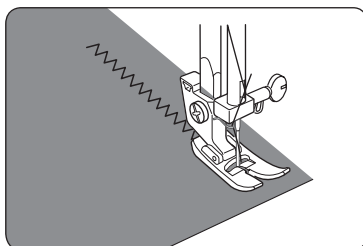
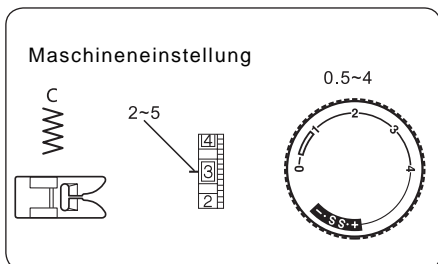
Wenn Sie das nächste Mal nähen, schneiden Sie den Faden am Fadenschneider ab und belassen Sie ihn in der entsprechenden Länge.



# Praktische Naht

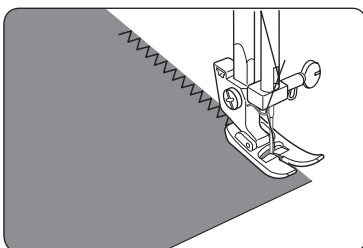
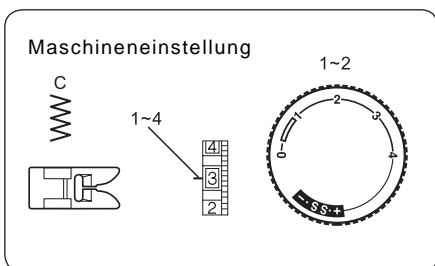
## ZICKZACK-NAHT (ZZ-NAHT)

Einfache Zickzacknähte werden häufig für Overlocknaht, zum Annähen von Knöpfen usw. verwendet.



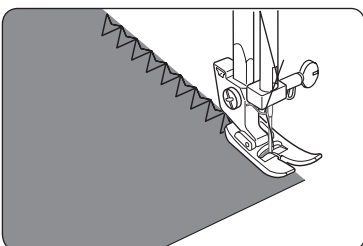
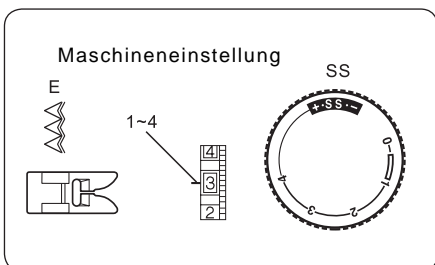
## OVERLOCKNAHT

Diese Nähmethode wird verwendet, um ausgefranste Stoffkanten zu schließen und ein Ausfransen der Stoffkanten zu vermeiden.



## STEPSTICH

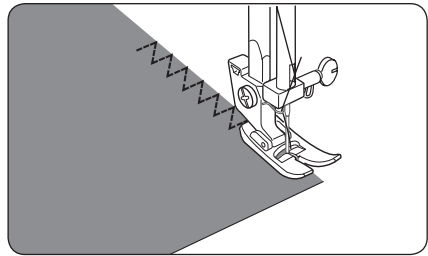
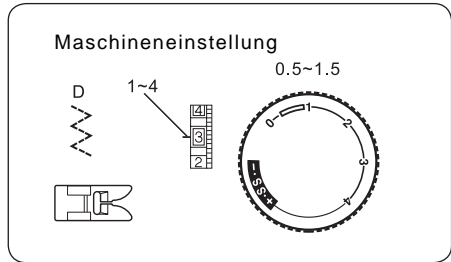
Der Steppstich wird verwendet, wenn die rechte Seite der Nadel über die Kante des Stoffes fällt.



# Praktische Naht

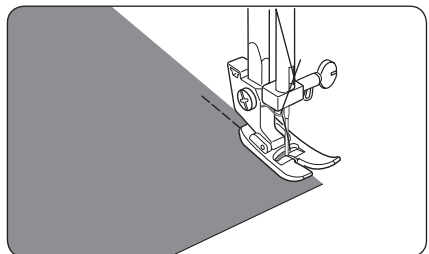
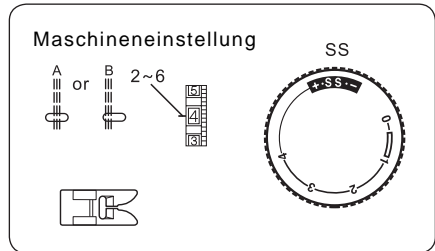
## SCHRÄGNAHT

Legen Sie den Nähstoff unter den Nähfuß und drücken Sie die Stoffkante leicht nach innen in die rechte Seite des Nähfußes, so dass die Nadel über die Stoffkante fällt.



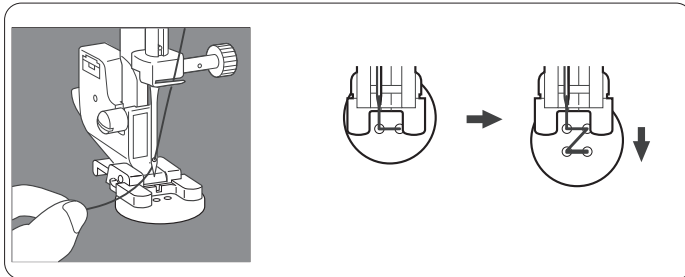
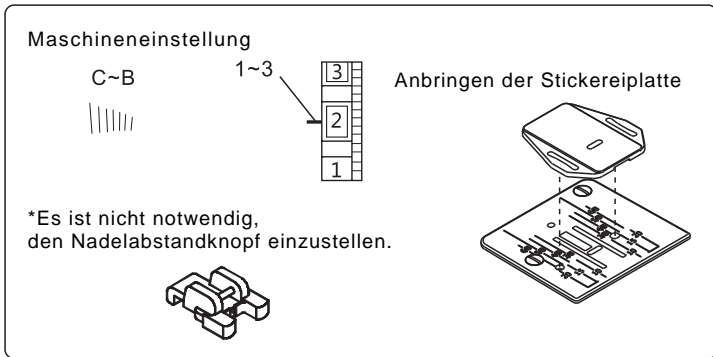
## DREIFACHSTICH

Mit diesem Stich wird die Naht verstärkt, indem zwei Stiche vorwärts und ein Stich rückwärts genäht werden. Daher ist es schwierig, den Stoff bei dieser Nahtmethode zu zerreißen. Der Stoff sollte vor dem Nähen mit einer langen Nadel fixiert werden.



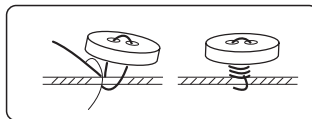
# Praktische Naht

## KNOPFNAHT



Legen Sie den Stoff und den Knopf unter den Nähfuß, senken Sie den Nähfuß ab, drehen Sie das Handrad, um sicherzustellen, dass die Nadel frei in das linke und rechte Loch des Knopfes eindringen kann, stellen Sie sie ggf. ein und nähen Sie 10 Stiche quer.

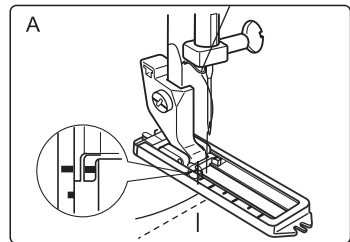
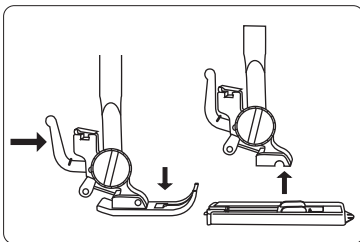
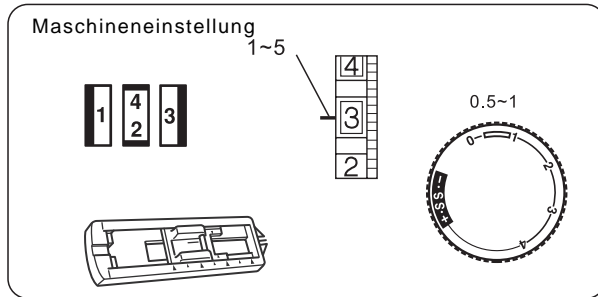
Wenn Sie einen Vier-Loch-Knopf anbringen, bringen Sie zuerst die beiden Löcher an, die Ihnen am nächsten sind, und schieben Sie dann den Knopf zur Rückseite der Nähmaschine, so dass die Nadel in beide Löcher eindringt, und nähen Sie sie auf die gleiche Weise fest.



Um die Naht zu verstärken, können Sie 25cm des Endfadens reservieren, den Faden bis zur Mitte des Stoffes und des Knopfes ziehen, die Spule aufwickeln, festziehen und verknoten.

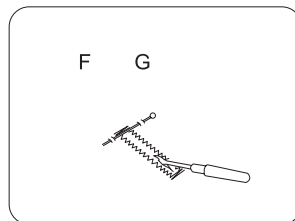
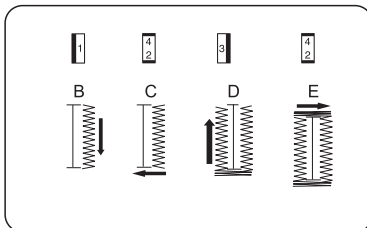
# Praktische Naht

## KNOPFLOCHNAHT



- \* Setzen Sie den Knopfloch-Nähfuß wie oben gezeigt wieder ein.
- \* Bevor Sie offiziell Knopflöcher nähen, probieren Sie bitte das Nähen auf anderen Stoffen aus.
- \* Wenn Sie elastische Stoffe verwenden, bringen Sie ein Futter am unteren Ende an.

A. Wählen Sie die Position **0**, legen Sie den Ober- und den Unterfaden unter den Nähfuß und ziehen Sie sie nach links heraus, wobei Sie das Kleidungsstück unter den Nähfuß legen.

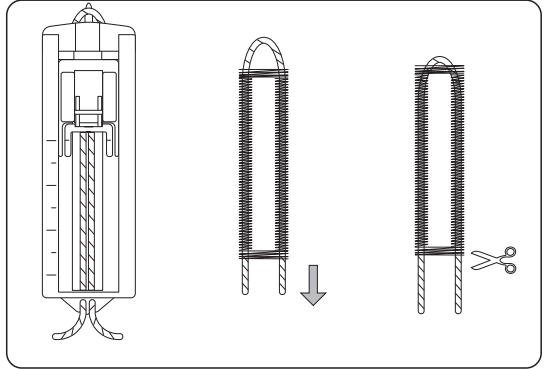


- B. Bestätigen Sie die Startposition, indem Sie den Nähfuß absenken und die Maschine nach dem Nähen der gewünschten Länge auf der linken Seite anhalten (die Nadel sollte auf der linken Seite anhalten).
- C. Stellen Sie die Nadel auf den höchsten Punkt, indem Sie das Handrad auf **2** drehen, nähen Sie 5~7 Stiche und stoppen Sie die Maschine.
- D. Stellen Sie die Nadel auf den höchsten Punkt, indem Sie das Handrad auf **3** drehen, und stoppen Sie die Maschine, wenn die Stichlänge auf der rechten Seite die gleiche ist wie auf der linken Seite.
- E. Stellen Sie die Nadel auf den höchsten Punkt, indem Sie das Handrad auf **4** drehen, nähen Sie 5~7 Stiche und stoppen Sie die Maschine.
- F. Heben Sie den Nähfuß an, nehmen Sie den Stoff heraus, schneiden Sie den Ober- und Unterfaden ab, so dass jeweils etwa 10 cm Faden übrig bleiben, ziehen Sie den Oberfaden auf die Rückseite des Stoffes und verknoten Sie ihn.
- G. Schneiden Sie die Knopflochöffnung mit Fadenentferner auf.

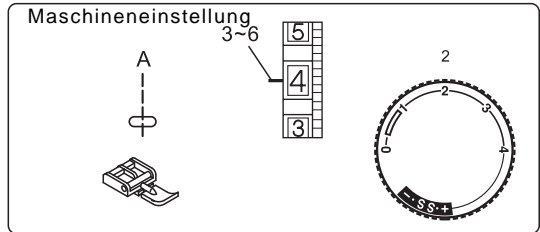
# Praktische Naht

## Overlock-Knopflochsnait

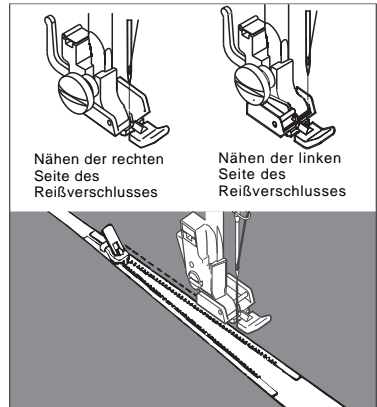
1. Heben Sie den Nähfuß an und ziehen Sie den zu umwickelnden Faden auf die Rückseite des Nähfußes, wo er übersteht.
2. Befestigen Sie die Schnur von der Unterseite des Nähfußes flach nach vorne.
3. Binden Sie die von hinten nach vorne gezogene Schnur am vorderen Vorsprung des Nähfußes fest.
4. Senken Sie den Nähfuß ab, indem Sie die Nadel bis zum Anfang der Position absenken, in der der Knopflochstoff geöffnet werden soll.
5. Siehe Seite 17 zum Nähen von Knopflöchern.
6. Ziehen Sie die umwickelte Schnur an und richten Sie sie aus.
7. Schneiden Sie die umwickelte Schnur ab.



## REIßVERSCHLUSSNAHT



Setzen Sie den Reißverschluss-Nähfuß ein.  
 Wenn Sie die rechte Seite des Reißverschlusses nähen, bringen Sie den Reißverschluss-Nähfuß wie rechts abgebildet an;  
 Wenn Sie die linke Seite des Reißverschlusses nähen, bringen Sie den Reißverschluss-Nähfuß wie rechts abgebildet an.

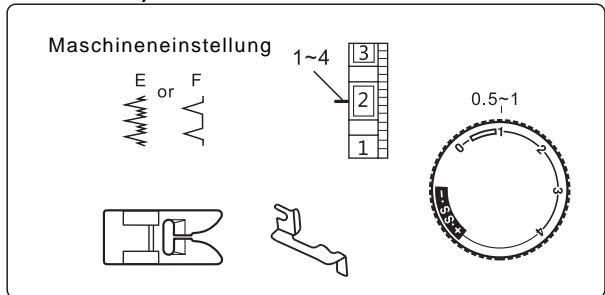


### Tipps:

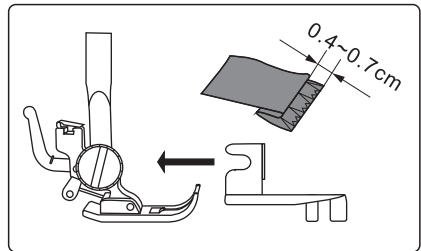
**Achten Sie darauf, dass die Nadel während des Nähvorgangs nicht den Reißverschluss berührt. Wenn die Nadel den Reißverschluss berührt, kann die Nadel brechen und zu Verletzungen führen.**

# Praktische Naht

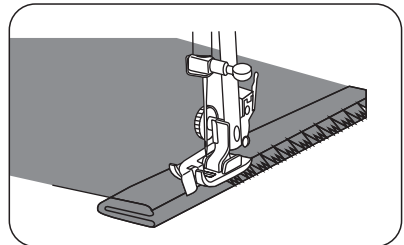
## VERDECKTE (BLINDNADELNAHT) NAHT



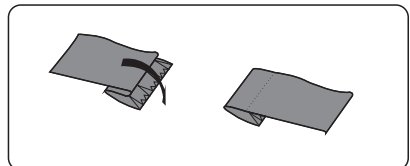
Falten Sie den Nähstoff wie in der Abbildung gezeigt, senken Sie den Nähfuß ab, lösen Sie die Befestigungsschrauben des Nähfußes und setzen Sie die Seitenlehre ein, ziehen Sie die Schrauben fest und achten Sie darauf, dass die Wand der Kantenlehre in der Mitte des Nähfußes liegt.



Heben Sie den Nähfuß an und legen Sie den gefalteten Stoff in die Kantenlehre, so dass die Stoffkante an der Wand der Kantenlehre anliegt. Senken Sie den Nähfuß ab und nähen Sie langsam und kontrolliert, wobei Sie darauf achten, dass die Stoffkante der Kantenlehre folgt.



Wenden Sie den Stoff wie gezeigt auf die rechte Seite.



# Ziernaht

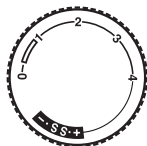
Maschineneinstellung



3~9

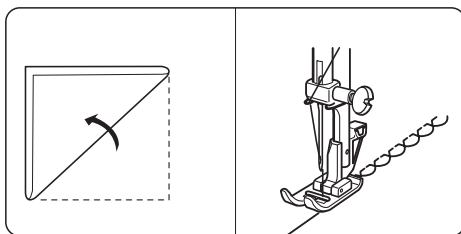


2~3

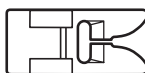


## SCHALENFORMNAHT

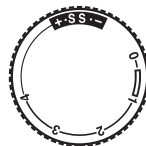
Nähen Sie die Stoffkante entlang der Rille des Nähfußes. Die rechte Nadel sollte beim Nähen nicht auf den Stoff fallen, damit eine gefaltete Naht entstehen kann.



1~4



SS

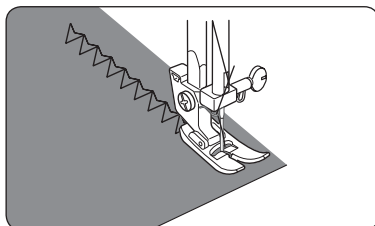


## SCHALENFORMNAHT

Die Vorwärts- und Rückwärtsbewegung der einzelnen Stiche variiert je nach Stoffart. Um dies zu korrigieren, stellen Sie die Stichlänge wie folgt ein.

Wenn das Muster gestaucht ist, stellen Sie den Nadelabstandsknopf in Richtung " + " ein.

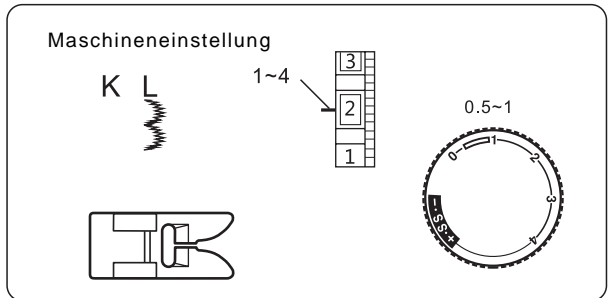
Wenn das Muster gedehnt ist, stellen Sie den Nadelabstandsknopf in Richtung " - " ein.



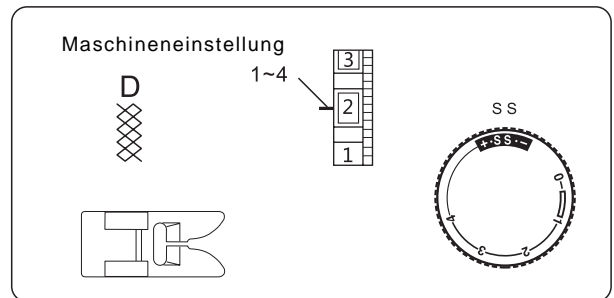
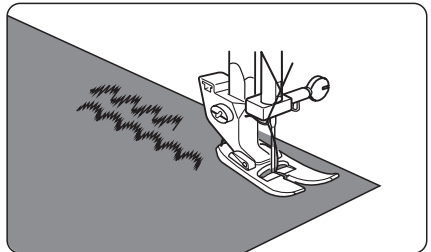


# Ziernaht

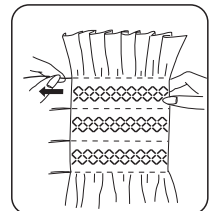
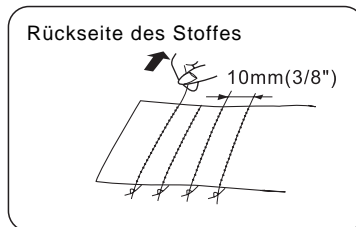
## DEKORATIVER FORMNAHT



Die zugeführte Stoffmenge sollte nicht zu groß sein, und gleichzeitig sollte die Spannung des Ober- und Unterfadens so eingestellt werden, dass der Oberfaden durch die Rückseite des genähten Stoffes geführt werden kann.



## GEBROCHENE FALTENNAHT



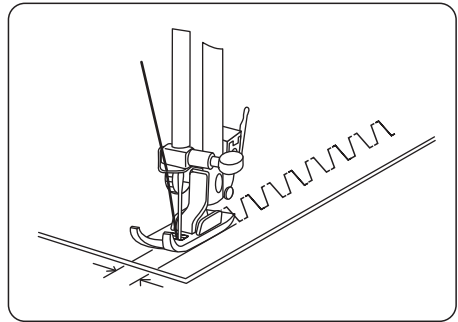
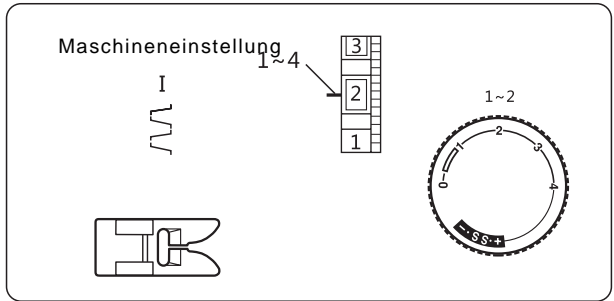
Stellen Sie den Nadelabstand auf "4" ein, nähen Sie 4 gerade Linien mit einem Abstand von 1 cm entlang der Nähangeigelinie auf der Nadelplatte, binden Sie dann das andere Ende der Linie fest und ziehen Sie dann langsam an der Linie, damit das andere Ende des Rocks zu einer gebrochenen Faltennaht wird, zu diesem Zeitpunkt können Sie einige Ziernähte in der Mitte nähen.

Hinweis: Entspannen Sie die Spannung des Oberfadens, damit sich der Faden leichter zusammenziehen lässt.

# Ziernaht

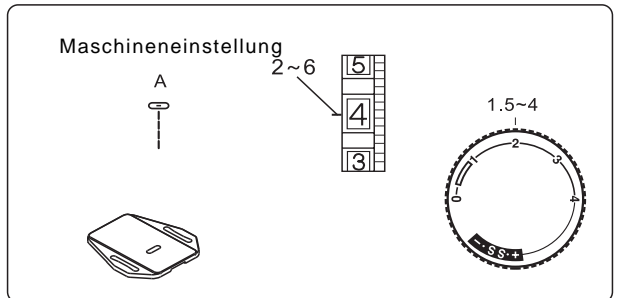
## KASTENFÖRMIGE NAHT

Dieser Stich kann zum Nähen eines schweren Futters verwendet werden. Dieser Stich kann auch beim Zusammennähen von zwei Stoffteilen verwendet werden.



## FREIFORMNAHT

Mit diesem Stich können Sie Ihr Lieblingsmuster nähen.

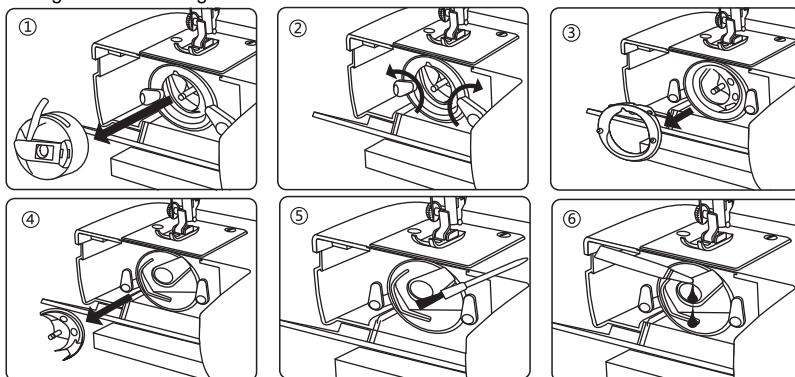


Hinweis: Entfernen Sie unbedingt den Nähfuß und den Nähfußhalter, bevor Sie mit dem Freiformstich nähen.

# Wartung der Maschine

## Reinigung und Wartung des Nähkessels

### Demontage und Wartung

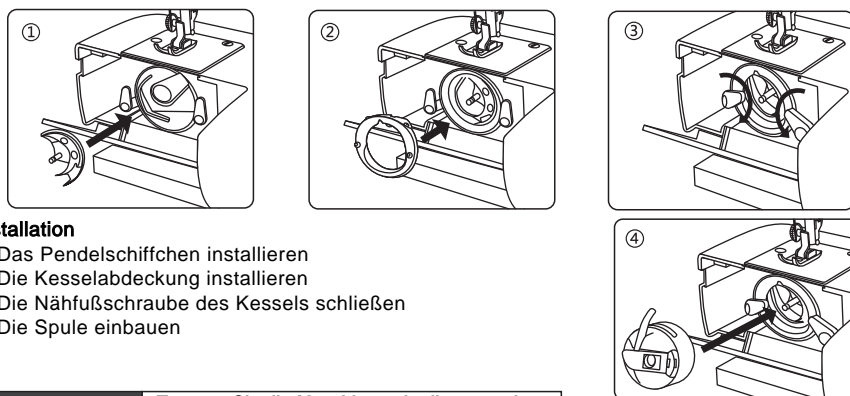


Heben Sie die Nadel bis zum höchsten Punkt an

1. Entfernen Sie die Spulenhülse.
2. Die Nähfußschraube des Kessels öffnen;
3. Die Kesselabdeckung entfernen;
4. Entfernen Sie das Pendelschiffchen;
5. Reinigen Sie den Kessel mit einer kleinen Bürste;
6. Einölen.

### Tipps zum Einölen:

1. Wenn die Nähmaschine lange Zeit nicht benutzt wurde, muss sie geölt werden.
2. Wenn die Nähmaschine ununterbrochen für 4-8 Stunden gearbeitet hat oder wenn sie seltsame Geräusche macht, muss sie geölt werden.
3. Fügen Sie mäßig Öl hinzu, fügen Sie nicht zu viel Öl hinzu (normalerweise sind 2-3 Tropfen ausreichend).



### Installation

1. Das Pendelschiffchen installieren
2. Die Kesselabdeckung installieren
3. Die Nähfußschraube des Kessels schließen
4. Die Spule einbauen



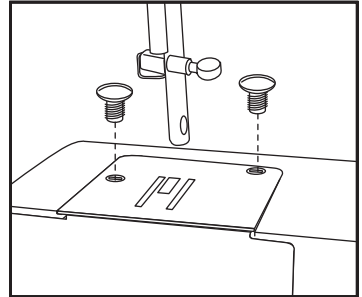
**VORSICHT**

Trennen Sie die Maschine unbedingt von der Stromversorgung, bevor Sie die oben genannten Schritte durchführen.

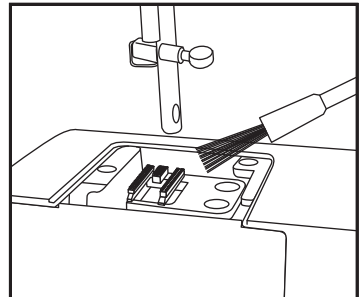
# Wartung der Maschine

## REINIGUNG DER STOFFTRANSPORTZÄHNE

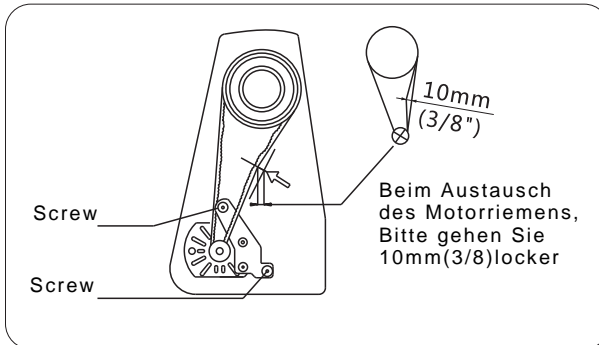
Nadel und Nähfuß abnehmen, die Befestigungsschrauben der Stichplatte entfernen und die Stichplatte abnehmen.



Die Stofftransportzähne mit einer Bürste von Flecken, Fäden, Fusseln usw. reinigen und die Stichplatte wieder einsetzen.



## Riemenspannung einstellen



Um die Riemenspannung einzustellen, nehmen Sie die Bandabdeckung ab und lösen Sie die Befestigungsschrauben etwa eine Drehung mit einem Schraubendreher.

Dadurch kann sich der Motor nach unten oder oben bewegen. Ziehen Sie dann die Schraube fest an und stellen Sie sicher, dass der Riemen die richtige Spannung hat.

**ACHTUNG:** Ziehen Sie den Gurt nicht zu fest an.



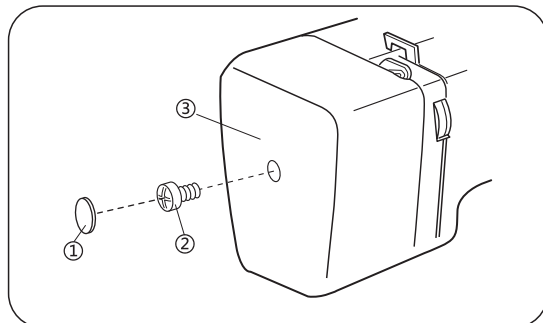
**VORSICHT**

Trennen Sie die Maschine unbedingt von der Stromversorgung, bevor Sie die oben genannten Schritte durchführen.

# Wartung der Maschine

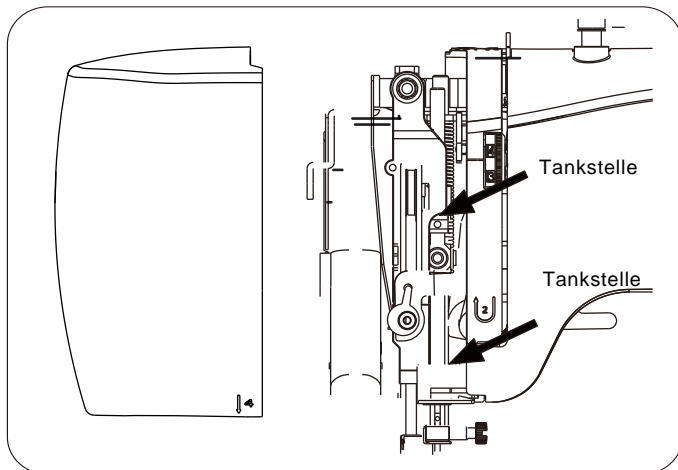
## ÖLEN DER NADELSTANGE

1. Endkappe der Lampenschirmschraube
2. Schraube des Lampenschirms
3. Lampenschirm



1. Entfernen Sie den Lampenschirm.

2. Ein paar Tropfen hochwertiges Nähmaschinenöl auf die rechts abgebildete Stelle auftragen. Öleinfüllstelle



### Tipps zum Einölen:

1. Bei normalem Gebrauch sollte die Nähmaschine etwa 2-3 Mal pro Jahr geölt werden.
2. Wenn die Nähmaschine längere Zeit nicht benutzt wurde, muss das Öl nachgefüllt werden, wenn sie wieder benutzt wird.
3. Wenn die Maschine nicht gut läuft, geben Sie ein paar Tropfen Paraffin in die Ölstelle und lassen Sie die Maschine 1 Minute lang laufen;
4. Wischen Sie die Ölstelle vor dem Einölen ab.



**VORSICHT**

**Trennen Sie die Maschine unbedingt von der Stromversorgung, bevor Sie die oben genannten Schritte durchführen.**

# Fehlerbehebung

TÖRUNG	GRUND	LÖSUNG
Bruch des Oberfadens	<ol style="list-style-type: none"> <li>1. Falsches Einfädeln des Oberfadens</li> <li>2. Oberfaden ist zu fest</li> <li>3. Nadel ist verbogen oder stumpf</li> <li>4. Nadel ist nicht richtig eingesetzt</li> <li>5. Ober- und Unterfäden sind zu Beginn des Nähens nicht richtig unter dem Nähfuß befestigt.</li> <li>6. Falsche Fadenwahl.</li> </ol>	<ol style="list-style-type: none"> <li>1. Fädeln Sie den Oberfaden richtig ein (siehe Seite 7).</li> <li>2. Fadenspannung einstellen (siehe Seite 9).</li> <li>3. Nadel ersetzen (siehe Seite 10).</li> <li>4. Nadel wieder einsetzen (siehe Seite 10)</li> <li>5. Bedienen richtig (siehe Seite 79)</li> <li>6. Ersetzen Sie den Faden durch einen geeigneten (siehe Seite 10)</li> </ol>
Bruch des Unterfadens	<ol style="list-style-type: none"> <li>1. Falsches Einfädeln des Unterfadens</li> <li>2. Auf dem Spulenbett haben sich Flusen angesammelt</li> <li>3. Die Spule ist beschädigt und dreht sich nicht leichtgängig.</li> </ol>	<ol style="list-style-type: none"> <li>1. Fädeln Sie den Unterfaden richtig ein (vgl. Seite 9)</li> <li>2. Reinigen den Kessel (siehe Seite 23)</li> <li>3. Spule ersetzen (siehe Seite 6)</li> </ol>
Bruch der Nadel	<ol style="list-style-type: none"> <li>1. Nadel ist nicht richtig eingesetzt</li> <li>2. Nadel ist verbogen oder stumpf</li> <li>3. Befestigungsschrauben der Nadel sind locker</li> <li>4. Oberfaden ist zu fest</li> <li>5. Nadel ist zu dünn</li> </ol>	<ol style="list-style-type: none"> <li>1. Nadel wieder einsetzen (vgl. Seite 10)</li> <li>2. Nadel ersetzen (siehe Seite 10)</li> <li>3. Schrauben anziehen</li> <li>4. Fadenspannung einstellen (siehe Seite 9)</li> <li>5. Ersetzen Sie die Nadel durch einen geeigneten (siehe Seite 10).</li> </ol>
Ausgelassene Stiche	<ol style="list-style-type: none"> <li>1. Nadel ist nicht richtig eingesetzt</li> <li>2. Nadel ist verbogen oder stumpf</li> <li>3. Nadel und (oder) Faden sind nicht für den zu nähenden Stoff geeignet.</li> <li>4. Falsches Einfädeln des Oberfadens</li> <li>5. Falsche Wahl der Nadel.</li> </ol>	<ol style="list-style-type: none"> <li>1. Nadel wieder einsetzen (siehe Seite 10).</li> <li>2. Nadel ersetzen (siehe Seite 10).</li> <li>3. Ersetzen Sie den Faden und die Nadel durch geeigneten (siehe Seite 10).</li> <li>4. Fädeln Sie den Oberfaden richtig ein (siehe Seite 7).</li> <li>5. Ersetzen Sie die Nadel durch einen geeigneten (siehe Seite 10).</li> </ol>
Faltenbildung in der Naht	<ol style="list-style-type: none"> <li>1. Oberfaden ist zu fest</li> <li>2. Falsches Einfädeln des Oberfadens</li> <li>3. Der Faden ist zu dick für den zu nähenden Stoff.</li> </ol>	<ol style="list-style-type: none"> <li>1. Fadenspannung einstellen (siehe Seite 9)</li> <li>2. Fädeln Sie den Oberfaden richtig ein. (siehe Seite 7).</li> <li>3. Ersetzen Sie den Faden durch einen geeigneten (siehe Seite 10).</li> </ol>
Stoff wird nicht gleichmäßig transportiert	<ol style="list-style-type: none"> <li>1. Der Futterstoff hat sich im Faden verheddert</li> <li>2. Fadenverklebungen</li> </ol>	<ol style="list-style-type: none"> <li>1. Stofftransportzähne reinigen (siehe Seite 24).</li> <li>2. Eingeklemmten Faden reinigen und neu einfädeln</li> </ol>
Maschine läuft nicht	<ol style="list-style-type: none"> <li>1. Der Netzstecker ist nicht fest eingesteckt.</li> <li>2. Spule hat sich im Faden verfangen</li> <li>3. Der Spuler wurde nach dem Aufspulen der Spule nicht in seine ursprüngliche Position zurückgestellt.</li> </ol>	<ol style="list-style-type: none"> <li>1. Netzstecker wieder einstecken (siehe Seite 3)</li> <li>2. Eingeklemmten Faden reinigen</li> <li>3. Den Spuler wieder einziehen (siehe Seite 5)</li> </ol>
Fadenverklebungen	<ol style="list-style-type: none"> <li>1. Nähfußschlüssel ist während des Nähens nicht abgesenkt.</li> <li>2. Falsches Einfädeln des Oberfadens</li> <li>3. Falsches Einfädeln des Unterfadens</li> </ol>	<ol style="list-style-type: none"> <li>1. Nähfußschlüssel versenken (siehe Seite 4)</li> <li>2. Fädeln Sie den Oberfaden richtig ein (siehe Seite 7)</li> <li>3. Fädeln Sie den Unterfaden richtig ein (siehe Seite 9).</li> </ol>

# БЕЗОПАСНОСТИ

При использовании электроприбора всегда следует соблюдать основные меры предосторожности, в том числе следующие.

Прочтите все инструкции перед использованием этой швейной машины.

**ОПАСНОСТЬ** - Для снижения риска поражения электрическим током:

- 1 Не позволяйте использовать машину в качестве игрушки. Если этой швейной машиной пользуются дети или она находится рядом с ними, необходимо проявлять пристальное внимание.
- 2 Данным прибором могут пользоваться дети в возрасте от 8 лет и старше, а также лица с ограниченными физическими, сенсорными или умственными способностями, или с недостатком опыта и знаний, если они находятся под наблюдением или проинструктированы относительно безопасного использования прибора и понимают связанные с этим опасности. Дети не должны играть с прибором. Дети не должны выполнять чистку и техническое обслуживание устройства без присмотра.
- 3 Используйте данную швейную машину только по назначению, как описано в данном руководстве. Используйте только насадки, рекомендованные производителем и описанные в данном руководстве.
- 4 Никогда не пользуйтесь этой швейной машиной, если у нее поврежден шнур или вилка, если она работает неправильно, если ее уронили, повредили или уронили в воду. Верните швейную машину ближайшему официальному дилеру или в сервисный центр для осмотра, ремонта, электрической или механической настройки.
- 5 Никогда не используйте швейную машину с закрытыми воздушными отверстиями. Следите за тем, чтобы в вентиляционных отверстиях швейной машины и ножном управлении не скапливались ворсинки, пыль и неплотно прилегающая ткань.
- 6 Никогда не роняйте и не вставляйте какие-либо предметы в какие-либо отверстия.
- 7 Не используйте на открытом воздухе.
- 8 Не работайте там, где используются аэрозольные средства (распылители) или где подается кислород.
- 9 Для отключения поверните выключатель в положение выкл. "О", затем выньте вилку из розетки.
- 10 Не вынимайте вилку из розетки, потянув за шнур. Чтобы вынуть вилку из розетки, беритесь за вилку, а не за шнур.
- 11 Держите пальцы подальше от всех движущихся частей. Особый уход требуется за иглой швейной машины.
- 12 Никогда не шейте при поврежденной игольной пластине, так как это может привести к поломке иглы.
- 13 Не используйте изогнутые иглы.
- 14 Не тяните и не раздвигайте ткань во время шитья. Это может привести к отклонению иглы и ее поломке.
- 15 Выключайте швейную машину "О" при выполнении каких-либо регулировок в области иглы, таких как продевание нитки в иглу, замена иглы, намотка шпульки, замена прижимной лапки и т.д.
- 16 Всегда отключайте швейную машину от электрической розетки при снятии чехлов, смазке или при выполнении любых других регулировок по обслуживанию, указанных в руководстве по эксплуатации.
- 1 Обратите внимание на следующее, чтобы избежать травм:
  - выключайте или отсоединяйте вилку от розетки, оставляя прибор без присмотра;
  - перед проведением технического обслуживания или заменой ламп отключите прибор от сети.

**Осторожно**- Движущиеся части - Чтобы снизить риск получения травм, выключайте перед обслуживанием. Перед включением машины закройте крышку.

## СОХРАНИТЕ ЭТИ ИНСТРУКЦИИ

Данное изделие предназначено только для домашнего использования.

**Данное устройство соответствует директиве ЕЕС 2004/108/ЕС, касающейся электромагнитной совместимости.**

Пожалуйста, обратите внимание, что при утилизации данное изделие должно быть безопасно переработано в соответствии с соответствующим национальным законодательством, касающимся электротехнической/электронной продукции. Если вы сомневаетесь, пожалуйста, обратитесь за консультацией к своему продавцу.





## 1. ЗНАКОМСТВО СО ШВЕЙНОЙ МАШИНОЙ

Основные компоненты.....	2
Принадлежности.....	3
Настройка машины.....	3
Шнур питания/ педаль.....	3
Выключатель питания/освещения.....	3
Переход к шитью со свободным рукавом.....	4
Подъемник лапки.....	4
Рычаг обратного шитья.....	4
Вышивальная пластина.....	4
Пластина с направляющими для швов.....	5
Установка штифтов катушки.....	5
Намотка шпули.....	5
Снятие или замена корпуса шпульки.....	6
Заправка нити в корпус шпульки.....	6
Замена лапки.....	6
Крепление направляющей для шва (опционально).....	6
Заправка нити в машину.....	7
Использование двойной иглы.....	7
Использование автоматического нитевдевателя для игл.....	8
Вытягивание шпульной нити.....	9
Регулировка натяжения верхней нити.....	9
Таблица соответствия игл, тканей и нитей.....	10
Замена иглы.....	10
Регулятор выбора шаблона.....	11
Выбор шаблонов растягивающихся стежков.....	11
Регулятор длины стежка.....	11
Полезные советы по шитью.....	12

## 2. ВСПОМОГАТЕЛЬНЫЕ ШВЫ

Прямой стежок.....	13
Зигзаг.....	14
Оверлочный стежок.....	14
Кромочный стежок.....	14
Стежок трико.....	15
Стежок тройной прочности.....	15
Пришивание пуговиц.....	16
Петельный стежок.....	17
Вшивание молний.....	18
Слепой стежок.....	19

## 3. ДЕКОРАТИВНЫЕ СТЕЖКИ

Петельный шов.....	20
Растянутый шов.....	20
Декоративная гладь.....	21
Шов-сборка.....	21
Коробчатый шов.....	22
Свободный шов.....	22

## 4. УХОД ЗА МАШИНОЙ

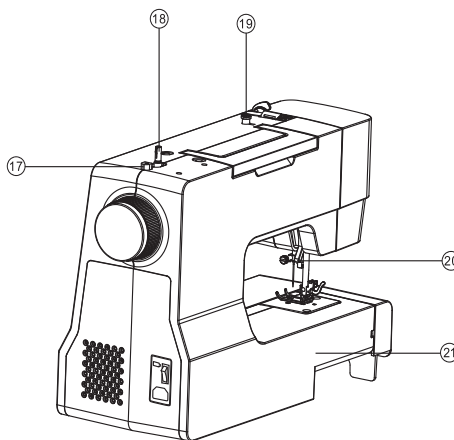
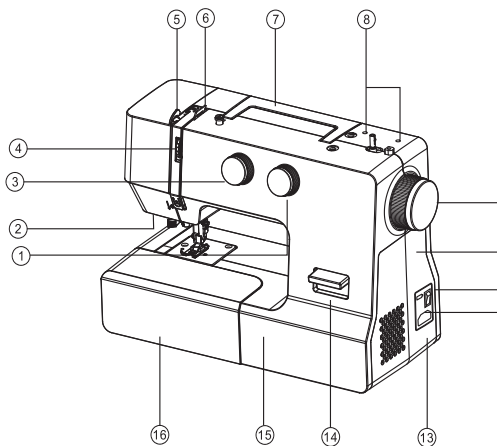
Демонтаж и сборка челночного гнезда.....	23
Чистка подающих собачек.....	24
Натяжение приводного ремня.....	24
Смазка машины.....	25

## 5. ВОЗМОЖНЫЕ НЕИСПРАВНОСТИ И СПОСОБЫ ИХ УСТРАНЕНИЯ.....26

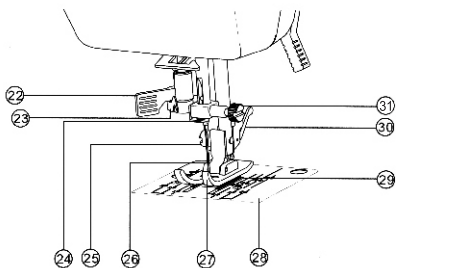
# ЗНАКОМСТВО С МАШИНОЙ

## Основные компоненты

- 1 Регулятор длины стежка
- 2 Обрезчик нити
- 3 Регулятор выбора шаблона
- 4 Регулятор управления натяжением нити
- 5 Рычаг для захвата нити
- 6 Направляющая нити
- 7 Ручка для переноски
- 8 Шпульные штифты
- 9 Маховик
- 10 Крышка приводного ремня
- 11 Разъем для подключения
- 12 Выключатель питания
- 13 Рычаг обратного шитья
- 14 Передняя крышка
- 15 Выдвижной столик (коробка для принадлежностей)
- 16 Стопор для намотки шпульки
- 17 Шпиндель для намотки бобин
- 18 Направляющая нити для намотки шпульки
- 19 Прижим лапки
- 20 Задняя крышка
- 21 Авто заправщик нити
- 22 Направляющая нити



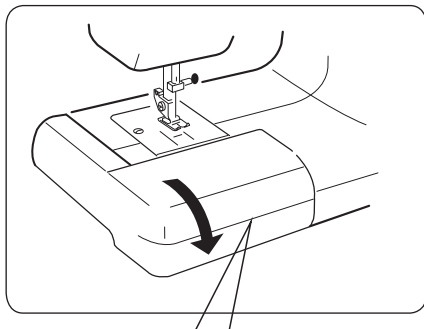
- 23 Направляющая нити иглодержателя
- 24 Иглы
- 25 Винт прижимной лапки
- 26 Прижимная лапка
- 27 Игольная пластина
- 28 Подающая собачка
- 29 Держатель прижимной лапки
- 30 Игольный зажимной винт



# ЗНАКОМСТВО С МАШИНОЙ

## Принадлежности

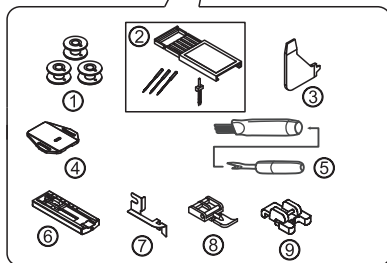
- 1 Шпулька (3шт)
- 2 Игольницы (игла 3 шт и двойная игла 1 шт)
- 3 Многофункциональная отвертка
- 4 Площадка для вышивания
- 5 Вспарыватель для петель/Щетка
- 6 Лапка для петель
- 7 Направляющая прижимной лапки
- 8 Лапка для вшивания молнии
- 9 Лапка для пришивания пуговиц



Лапка, которая устанавливается на вашу швейную машинку, называется зигзагообразной лапкой и будет использоваться для большей части вашего шитья.

## Настройка машины

Перед первым использованием машины обязательно сотрите излишки масла с поверхности игольной пластины.



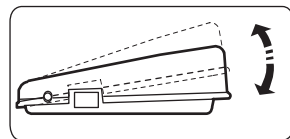
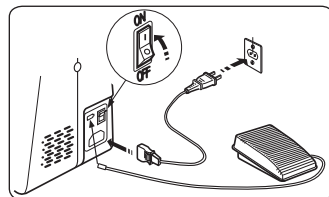
## Подключение и отсоединение шнура питания/педали

Убедитесь, что швейная машина выключена (выключатель питания установлен в положение "О"), затем подключите вилку сетевой розетки к входу прибора и вашей настенной розетке.

Перед отсоединением шнура питания и педали, пожалуйста, убедитесь, что швейная машина выключена (выключатель питания установлен в положение "о").

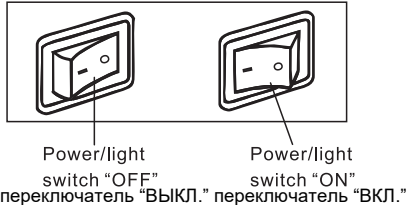
Скорость шитья можно изменять с помощью педали. Чем сильнее вы нажимаете на нее, тем быстрее работает машина.

**Обратите внимание, что при отключенной педали машина работать не будет.**



## Предупреждение

**Всегда отключайте устройство от источника питания, вынимая вилку из настенной розетки.**



## Выключатель питания/освещения

Ваша машина не будет работать до тех пор, пока не будет включен выключатель питания/освещения.

Один и тот же переключатель управляет как питанием, так и освещением.

При обслуживании машины, замене игл и т.д. машину необходимо отключать от источника питания.

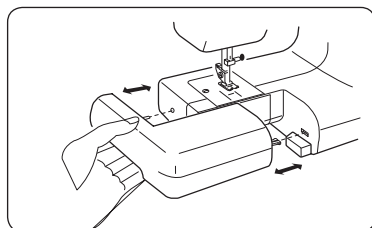
# ЗНАКОМСТВО С МАШИНОЙ

## Переход на шитье со свободным рукавом

Вашу машину можно использовать как с плоской платформой, так и со свободным рукавом.

При установленном выдвижном столе он обеспечивает большую рабочую поверхность по сравнению со стандартной моделью плоской платформы. Чтобы снять выдвижной столик, крепко возьмитесь за него обеими руками и потяните влево, как показано на рисунке. Чтобы вернуть на место, задвиньте выдвижной столик на место до щелчка.

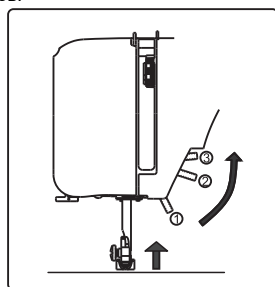
При снятии приставного стола машина превращается в тонкую модель со свободным рукавом для пошива детской одежды, манжет, штанин и других труднодоступных предметов.



## Подъемник лапки.

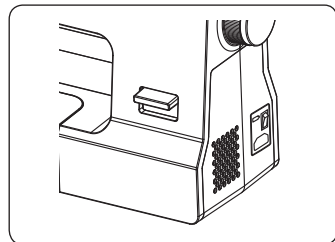
Для прижимной лапки предусмотрено три положения.

1. Опустите прижимную лапку для шитья.
2. Поднимите подъемник в среднее положение, чтобы вставить или удалить ткань.
3. Поднимите его в самое верхнее положение, чтобы сменить прижимную лапку или удалить плотную ткань.



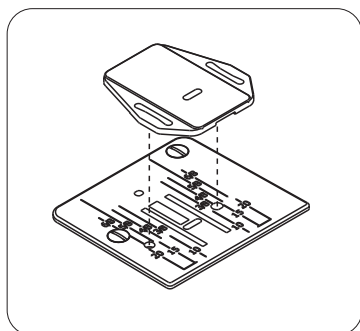
## Рычаг обратного шитья

Пока вы нажимаете на этот рычаг во время шитья, машина будет подавать ткань в обратном направлении.



## Пластина для вышивания

При свободном шитье или пришивании пуговиц установите вышивальную пластину в соответствии с рисунком справа.



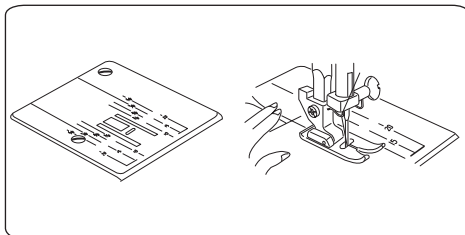
# ЗНАКОМСТВО С МАШИНОЙ

## Пластина с направляющими для швов

Цифры на игольной пластине указывают расстояние между центральным положением иглы и линией индикации.

Цифры спереди указаны в миллиметрах.

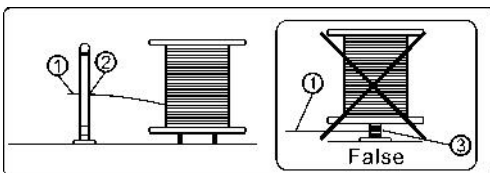
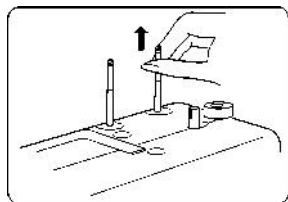
Цифры на обороте указаны в дюймах.



## Установка шпульных штифтов

Шпульные штифты используются для удержания катушки с нитью для подачи нити в машину.

Для использования потяните вверх штифт катушки. Опустите вниз для хранения.



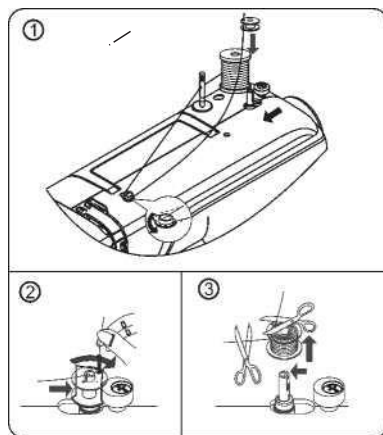
**ПРИМЕЧАНИЕ:** В случае использования нити, которая имеет тенденцию запутываться вокруг шпульки, проденьте нить через отверстие шпульки, как показано на рисунке.

## Намотка шпульки.

1 Наденьте катушку ниток на штифт шпульки, вытяните нить из катушки через отверстие штифта и пропустите ее через направляющую для нити, как показано на рисунке. Проденьте конец нити через отверстие в шпулке, как показано на рисунке.

2 Переведите вал устройства для намотки шпульки в крайнее левое положение. Наденьте шпульку на вал намотчика так, чтобы конец нити выходил из верхней части шпульки. Поверните вал намотчика шпульки вправо до щелчка. Держитесь за конец нити.

3 Запустите машину. Катушка автоматически перестанет вращаться, когда будет полностью заполнена. Сдвиньте вал влево, чтобы снять шпульку и отрезать нить.



# ЗНАКОМСТВО С МАШИНОЙ

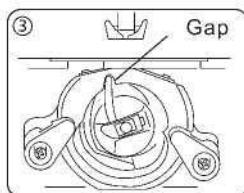
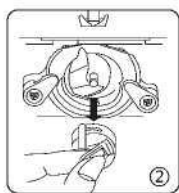
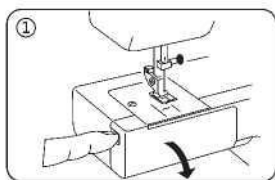
## Снятие или замена корпуса шпульки.

- 1 Обратитесь к стр. 4, чтобы снять удлинительный столик, поднимите иглу, повернув маховик на себя, затем откройте крышку челнока.
- 2 Выньте корпус шпульки, удерживая защелку.
- 3 При установке корпуса шпульки штифт на корпусе должен входить в зазор кольца челнока.



**CAUTION**

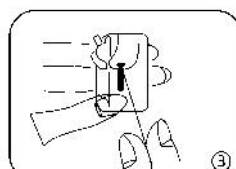
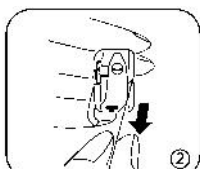
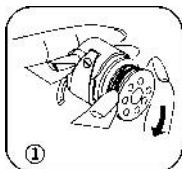
Be sure to disconnect the power supply before operating the machine.



## Заправка нити в корпус шпульки.

- 1 Установите шпульку в корпус. Убедитесь, что нить разматывается в направлении, указанном стрелкой.
- 2 Протяните нить в паз корпуса шпульки.
- 3 Теперь протяните нить под натяжной пружиной и в подающее ушко.

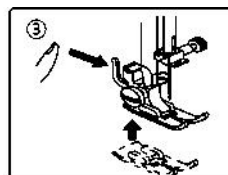
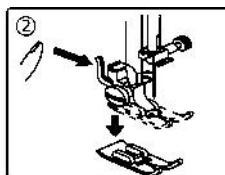
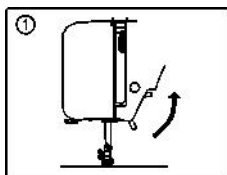
**ПРИМЕЧАНИЕ:** Оставьте около 10 см (4 дюйма) нити свисать из корпуса для шпульки. Когда вы тянете



за нитку, шпулька должна вращаться по часовой стрелке.

## Замена лапки.

- 1 Поверните маховик на себя, чтобы поднять иглу в самое верхнее положение.
- 2 Поднимите прижимную лапку.
- 3 Нажмите на рычаг на задней панели держателя прижимной лапки. Прижимная лапка отвалится.
- 4 Установите прижимную лапку так, чтобы штифт на лапке находился как раз под пазом держателя.



Опустите держатель прижимной лапки, чтобы зафиксировать лапку на месте.

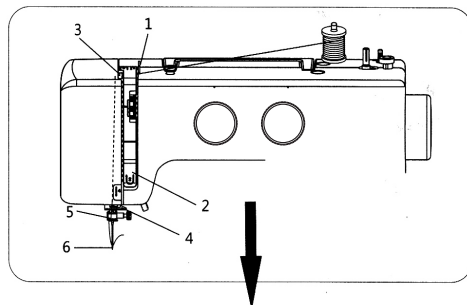
## Крепление направляющей для шва (опционально)

Вставьте направляющую для шва в прорезь, как показано на рисунке, отрегулируйте в соответствии с потребностями в складках по краям и т.д.

# ЗНАКОМСТВО С МАШИНОЙ

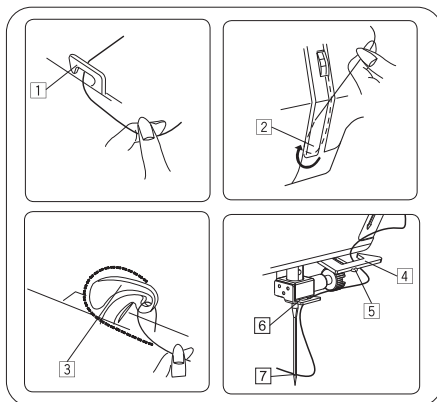
## Заправка нити в машину

Поднимите рычаг иглодержателя в самое верхнее положение, повернув маховик на себя. Поднимите прижимную лапку. Наденьте катушку на шпульный штифт, как показано на рисунке, так, чтобы нить шла с обратной стороны катушки.



- 1 Обеими руками протяните нить в нитенаправитель.
- 2 Протяните нить вниз в зону натяжения; вокруг держателя контрольной пружины.
- 3 Плотно протяните нить вверх и через нитезахватный рычаг справа налево.
- 4 Затем протяните нить вниз и вставьте ее в нижнюю направляющую для нити.
- 5 Не затягивайте нить в пружину двойной иглы.
- 6 Протяните нить вниз и вставьте ее в направляющую для нити иглодержателя.
- 7 Проденьте нитку в ушко иглы спереди назад.

**Примечание:** Отрежьте конец нити острыми ножницами, чтобы легче было продевать нитку в иглу.

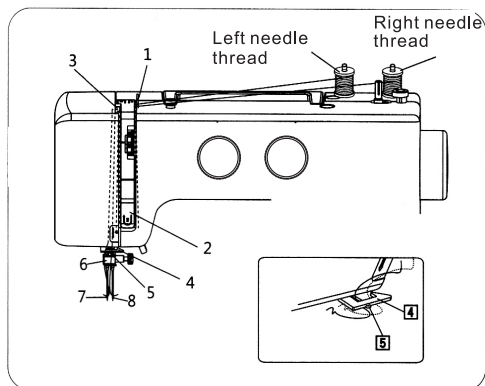


## Двойная игла

Как вдеть нитку в двойную иглу:

1. С помощью шпулки проденьте нитку в левую иглу в соответствии со способом продевания нитки в одиночную иглу с первого по четвертый шаг, затем закрепите нить в пружине двойной иглы, как показано в точке 5 на рисунке справа. Наконец, проденьте нитку в левое ушко иглы спереди назад.
2. Проденьте нитку в правую иглу в соответствии со способом продевания нитки в одиночную иглу с первого по седьмой шаг.

**Примечание:** Обязательно сначала проденьте нитку в левую иглу, затем в правую.



# ЗНАКОМСТВО С МАШИНОЙ

## Использование автоматического нитевдевателя

Поднимите иглу в самое верхнее положение, повернув маховик на себя.

1. Прикрепите нить крючком к направляющей нити, как показано на рисунке.

2. Потяните вниз рычаг, удерживая конец нити.

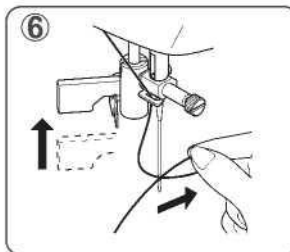
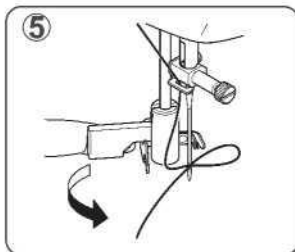
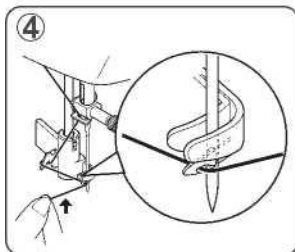
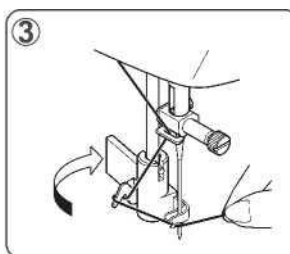
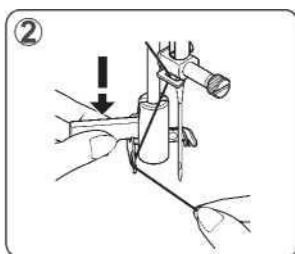
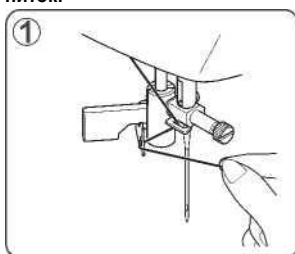
3. Поверните рычаг к задней части машины.

4. Проденьте нить в зацепленный конец и потяните нить вверх.

5. Верните рычаг на место, и игла будет продета автоматически.

6. Отпустите рычаг и потяните нить от себя.

**ПРИМЕЧАНИЕ:** Для беспроблемного продевания нитей рекомендуется выбирать прямую строчку при использовании устройства для продевания ниток.

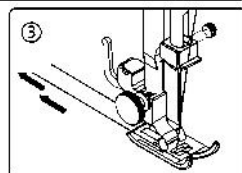
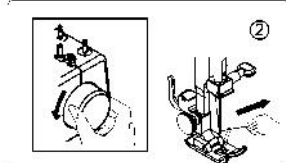
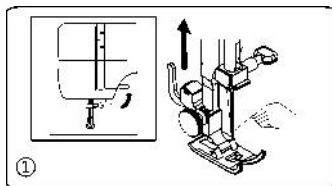




# ЗНАКОМСТВО С МАШИНОЙ

## Вытягивание шпульной нити

1. Поднимите прижимную лапку и слегка придерживайте игольную нить левой рукой.
2. Медленно поворачивайте маховик правой рукой на себя до тех пор, пока игла не опустится вниз, и продолжайте поворачивать маховик до тех пор, пока нитезахватный рычаг не окажется в самом верхнем положении.
3. Слегка протяните игольную нить вверх, образуя петлю из шпульной нити.
4. Вытяните по 15 см (6 дюймов) обеих нитей назад и под прижимную лапку.

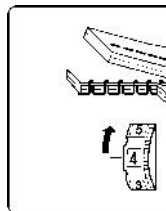
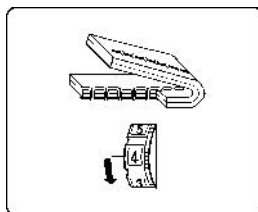
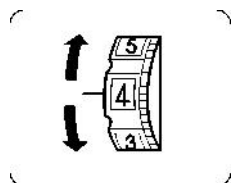
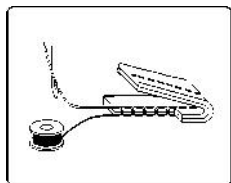


## Установка натяжения верхней нити

Верхняя нить и шпульная нить должны соединяться в центре двух слоев ткани прямыми швами.

Установите желаемое значение шкалы натяжения нити на отметке настройки.

**ПРИМЕЧАНИЕ:** Для получения более качественных зигзагообразных стежков натяжение верхней нити должно быть немного слабее натяжения шпульной нити. Это означает, что верхняя нить должна слегка выступать с изнаночной стороны ткани, но шпульная нить не может выступать с верхней стороны ткани.



Усильте натяжение игольной нити, переместив циферблат на большее значение.

Ослабьте натяжение игольной нити, переместив циферблат на меньшее значение.

## Замена иглы

Поднимите иглу, повернув маховик на себя, и опустите прижимную лапку.

2. Поверните винт зажима иглы на себя (против часовой стрелки), чтобы ослабить иглу.

3. Выньте иглу из зажима.

4. Вставьте новую иглу в игольный зажим плоской стороной от себя.

5. Вставляя иглу в зажим, поднимите ее вверх до упора.

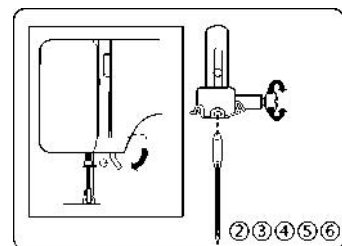
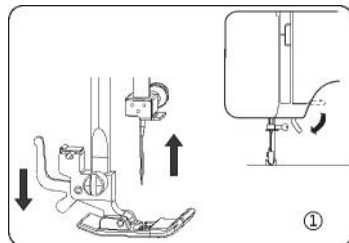
6. С помощью отвертки плотно затяните зажимной винт по часовой стрелке.

**ПРИМЕЧАНИЕ:** Затяните плотно, но не перетягивайте слишком сильно.

Часто проверяйте свои иглы на наличие зазубрин или затупленных наконечников.

Зацепы и потертости в трикотаже, тонком шёлке и тканях, похожих на шелк, почти всегда возникают из-за повреждения иглы.

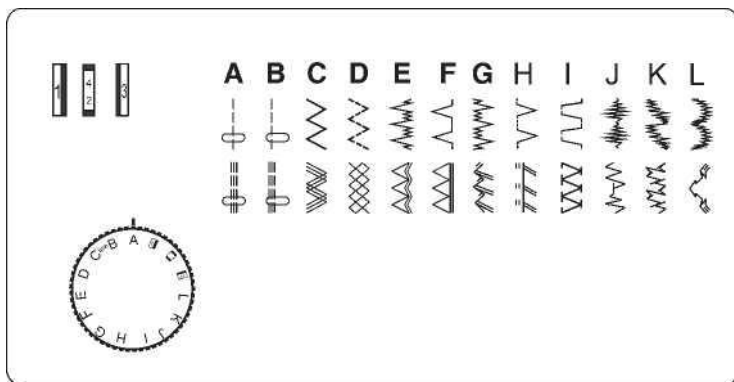
**Полезный совет:** Подложив лоскут ткани под прижимную лапку и опустив прижимную лапку, вы облегчите замену иглы и предотвратите попадание иглы в прорезь игольной пластины.



Вес ткани	Тип ткани	Нити	Размер иглы
Легкая ткань	Крепдешин, Вуалевый батист, Органза, Жоржетта, Трикотаж.	Тонкий шелк, тонкий хлопок, тонкая синтетика, покрытая тонким хлопком полиэстер.	9 или 11
Ткань среднего веса	Постельное белье, хлопок, пике, саржа, двойной трикотаж, перкаль.	50 шелк, 50-80 хлопок, 50-60 синтетика, 50-60 полиэстер, покрытый хлопком.	11 или 14
Тяжелая ткань	Джинсовая ткань, твид, габардин, ткань для покрытия, драпировки и обивки мебели.	50 шелк, 40-50 хлопок, 40-50 синтетика, 40-50 полиэстер с хлопковым покрытием.	14 или 16

# ЗНАКОМСТВО С МАШИНОЙ

## Шкала выбора шаблона



Поднимите иглу над тканью и выберите желаемый шаблон на отметке настройки, повернув диск выбора рисунка.

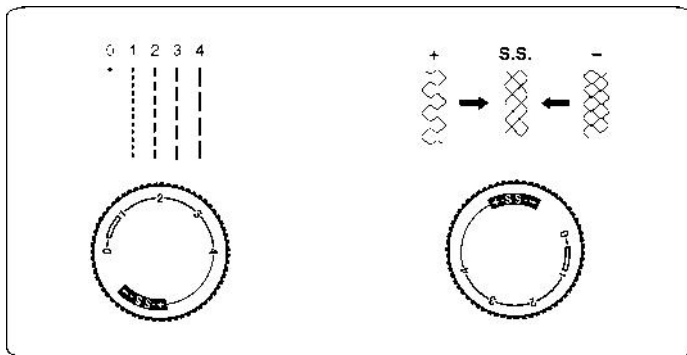
## Выбор шаблонов растягивающихся стежков

При шитье с натяжкой установите регулятор длины стежка на "SS".

Если прямая и обратная подачи становятся несбалансированными в зависимости от типа ткани, скорректируйте положение следующим образом.

Когда шаблоны будут сжаты, исправьте это, повернув диск в положение "+".

Когда шаблоны будут растянуты, исправьте это, повернув диск в положение "-".



## Шкала длины стежка.

Чем больше число, тем больше длина стежка. Вы можете выбрать подходящую длину стежка для большинства тканей.

# ЗНАКОМСТВО С МАШИНОЙ

## Полезные советы по шитью

Ниже описаны различные способы достижения лучших результатов шитья.

При шитье руководствуйтесь этими советами.

### 1 Пробное шитье

Используйте разную ширину и длину стежка для пробного шитья. Когда вы закончите, выберите наиболее подходящую ширину и длину стежка для правильного шитья.

Для пробного шитья используйте кусок ткани и нитки, которые совпадают с теми, что использовались для вашего проекта, и проверьте натяжение нити, длину и ширину стежка. Поскольку результаты различаются в зависимости от типа строчки и количества сшитых слоев ткани, выполните пробное шитье в тех же условиях, которые будут использоваться в вашем проекте.

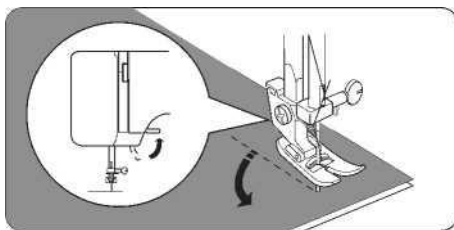
### 2 Изменение направления шитья

Остановите машину и поверните маховик на себя, чтобы опустить иглу в ткань.

Поднимите прижимную лапку.

Поверните ткань вокруг иглы, чтобы изменить направление шитья по желанию.

Опустите прижимную лапку и продолжайте шить.



### 3 Шитье по кривой

Прекратите шитье, а затем слегка измените направление шитья, чтобы сшивать по кривой.

При шитье по кривой с использованием зигзагообразной строчки выберите меньшую длину, чтобы получить более тонкую строчку.

### 4. Шитье толстых тканей

**Если ткань не подходит под прижимную лапку**

Поднимите прижимную лапку еще выше, чтобы установить ее в самое высокое положение. Затем подайте ткань под прижимную лапку. (Смотрите стр. 4, как поднять прижимную лапку.)

### 5. Шитье эластичной ткани или ткани, на которой легко образуются пропуски стежков

Используйте иглу с круглой головкой и большей длиной стежка. При необходимости добавьте один слой подкладочной ткани для лучшего шитья.

### 6. Шитье тонких тканей или шелка

При шитье тонкой ткани или шелка стежок может отклоняться от правильного направления или ткань может неправильно подаваться. Если это так, добавьте один слой подкладочной ткани под ткань для лучшего шитья.

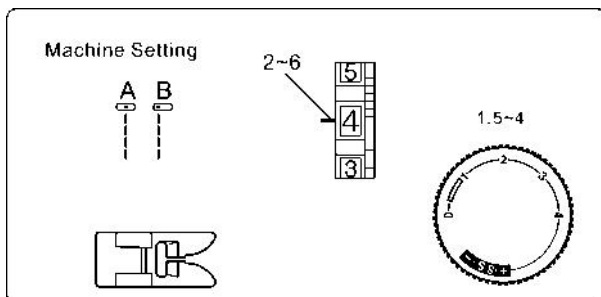
### 7. Шитье эластичных тканей

Сначала сметайте кусочки ткани вместе, а затем сшейте, не растягивая ткань.

### 8. Шитье со свободным рукавом

Если ткань для шитья в виде трубки (например, рукав) или деталь труднодоступна для обычного шитья, используйте функцию шитья со свободным рукавом (подробности см. на стр. 4).

# ВСПОМОГАТЕЛЬНЫЕ ШВЫ

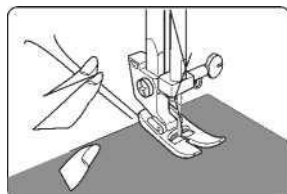


## Прямая строчка

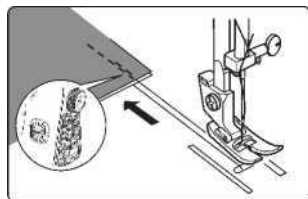
Поднимите прижимную лапку и расположите ткань рядом с направляющей линией сшивания на игольной пластине.

Опустите иглу в ткань. Опустите прижимную лапку и разгладьте нить по направлению к изнаночной стороне. Нажмите на педаль управления.

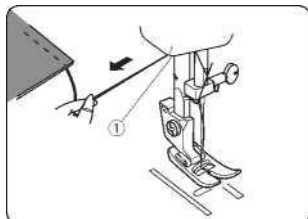
Аккуратно ведите ткань по направляющей линии, позволяя ткани подаваться самой.



Чтобы закрепить концы швов, нажмите кнопку обратного стежка и прошейте несколько обратных стежков.

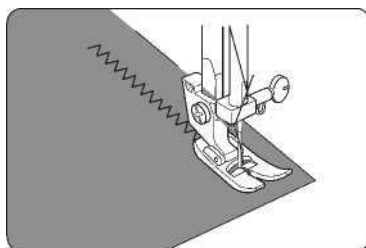
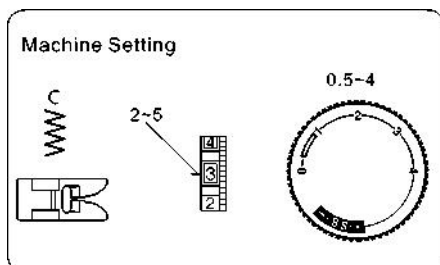


Поднимите прижимную лапку и снимите ткань, отводя нити назад. Нити обрезаются на нужную длину для начала следующего шва.



# ВСПОМОГАТЕЛЬНЫЕ ШВЫ

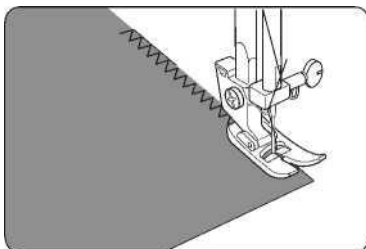
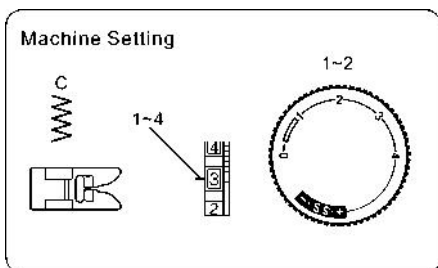
## Строчка зигзаг



Простая зигзагообразная строчка широко используется для обметывания, пришивания пуговиц и т.д

## Строчка оверлок

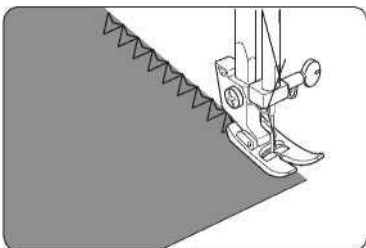
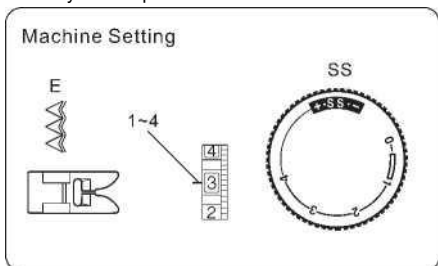
Этот тип строчки используется в припуске на шов, чтобы предотвратить истирание ткани по



необработанным краям.

## Краеобметочный стежок

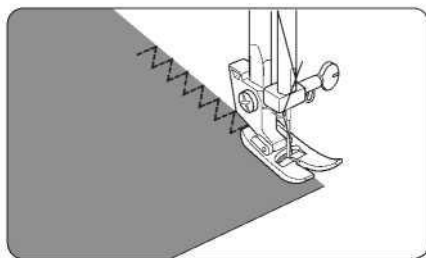
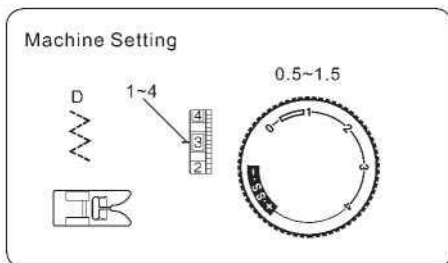
Краеобметочный стежок будет выполнен наиболее успешно, когда правые боковые стежки зигзага немного отступят от края ткани.



# ВСПОМОГАТЕЛЬНЫЕ ШВЫ

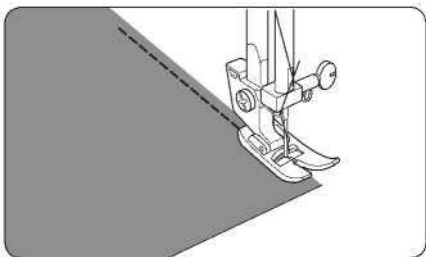
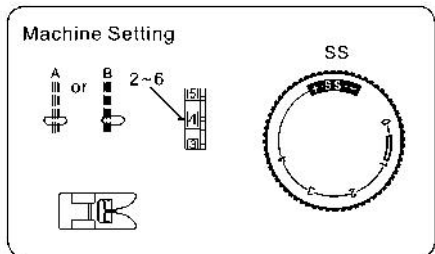
## Строчка трико

Подложите ткань под прижимную лапку так, чтобы край был немного внутри правой стороны прижимной лапки. Направляйте работу так, чтобы правосторонние стежки приходились на край ткани.



## Стежок тройной прочности

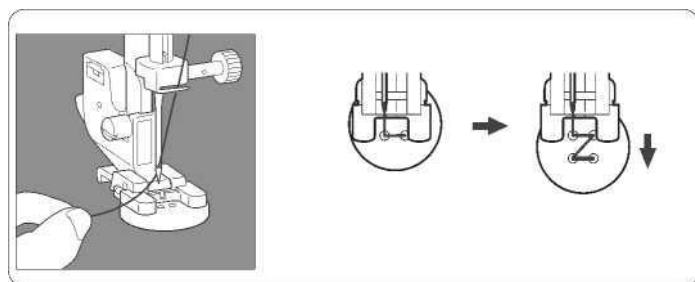
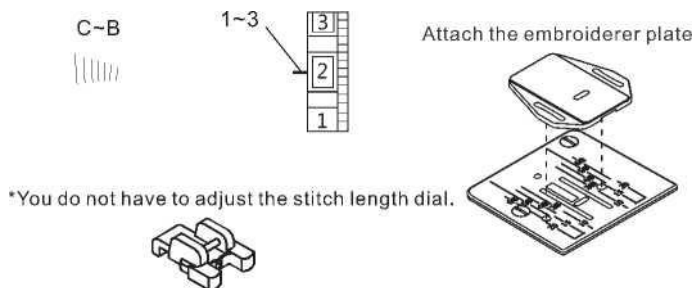
Строчка сшита двумя стежками вперед и одним стежком назад, образуя шов, который нелегко разорвать. Одежда должна быть сметана к примерке перед закатыванием швов.



# ВСПОМОГАТЕЛЬНЫЕ ШВЫ

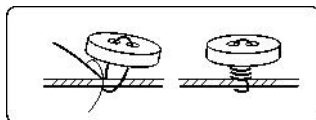
## Пришивание пуговиц

Machine Setting



Расположите ткань и пуговицу под прижимной лапкой. Опустите прижимную лапку. Поверните маховик, чтобы убедиться, что игла проходит как через левое, так и через правое отверстия пуговицы. При необходимости отрегулируйте ширину. Прошейте 10 стежков поперек.

Прикрепляя пуговицы с четырьмя отверстиями, сначала зашейте два ближайших к вам отверстия. Затем сдвиньте пуговицу так, чтобы игла вошла в два отверстия по направлению к задней части швейной машинки, а затем прошейте их таким же образом.

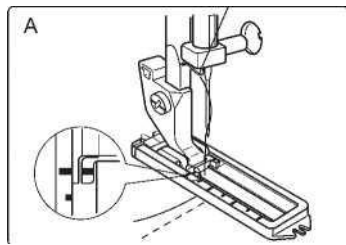
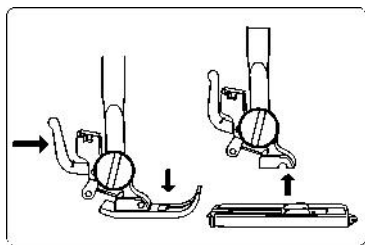
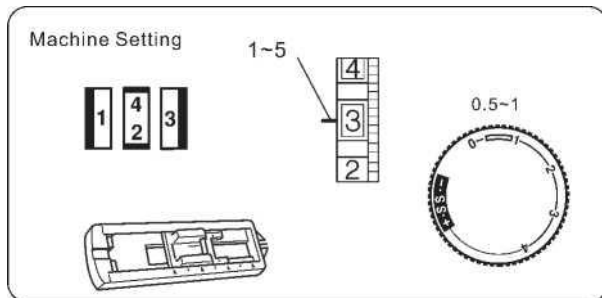


Чтобы закрепить нить, отрежьте верхнюю нить с запасом в 25 см, обмотайте ее вокруг нити между пуговицей и тканью, а затем туго завяжите.



## ВСПОМОГАТЕЛЬНЫЕ ШВЫ

### Петлеобметочный шов



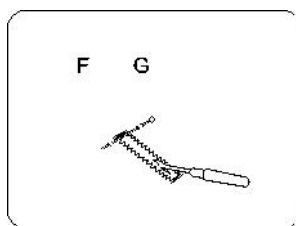
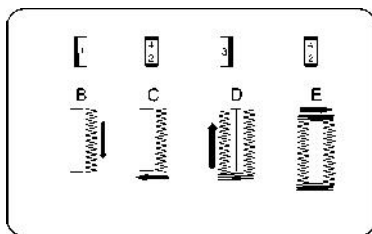
Установите на место лапку для выметывания петель.

Прежде чем пришивать настоящие петли для пуговиц к предмету одежды, сделайте несколько тренировочных петель на образце ткани.

Используйте сопряжение на эластичных тканях.

A. Выберите E, протяните обе нити влево под лапкой.

Подложите предмет одежды под лапку.



B. Опустите иглу в исходную точку. Затем опустите лапку с петелькой. Пришейте необходимую длину с левой стороны петельки и остановите машинку.

C. Поднимите иглу в самое верхнее положение, повернув маховик, затем выберите H.

D. Поднимите иглу в самое верхнее положение и выберите 3, пришейте правую сторону петли той же длины, что и левую, и остановите машинку.

E. Поднимите иглу и выделите ее и прошейте пять стежков для закрепления планки.

F. Поднимите прижимную лапку и вытяните ткань, отрежьте как верхнюю нить, так и шпульную, оставив около 10 см концов нити, и завяжите ее с изнаночной стороны ткани.

G. Разрежьте петлю с помощью вспарывателя.

# ВСПОМОГАТЕЛЬНЫЕ ШВЫ

## Петельный шов

Подсказки:

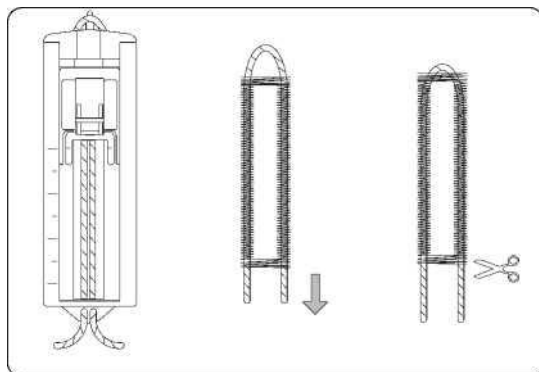
Слегка уменьшите верхнее натяжение для получения лучших результатов. Используйте подкладочный материал для тонких или эластичных материалов. Мы рекомендуем поместить булавку поперек конца петли для пуговиц в качестве меры предосторожности, чтобы не перерезать стежки с помощью устройства для удаления швов.

Рекомендуется использовать

закладной шнур для эластичных или трикотажных тканей. Зигзаг должен пришиваться поверх закладного шнура.

Линии на ножке для петель можно использовать в качестве направляющих при пришивании нескольких петель для пуговиц.

- 1 Поднимите прижимную лапку, потяните за закладной шнур и обойдите выступающую точку на задней стороне лапки для петель.
- 2 Потяните за шнур под ножкой вперед.
- 3 Закрепите шнур в выступающей точке на передней части лапки.
- 4 Поверните иглу вниз в исходное положение на ткани, опустите прижимную лапку.
- 5 Пришейте петлю в соответствии со стр. 17.
- 6 Потяните шнур прямо.
- 6 Перережьте закладной шнур.



## Вшивание молний

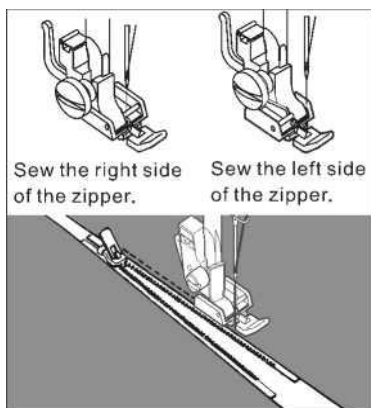
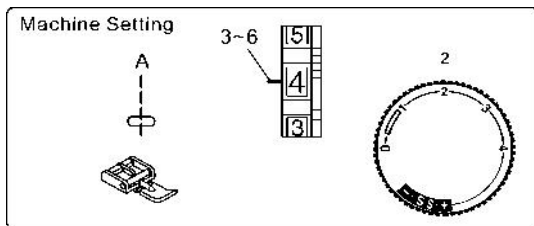
Прикрепите лапку для вшивания молнии.

Пришивая молнию с правой стороны, прикрепите лапку молнии, как показано на рисунке справа.

При пришивании левой стороны молнии прикрепите лапку молнии, как показано на рисунке справа.

**Полезный совет:**

**Во время вшивания молнии следите за тем, чтобы игла не касалась молнии. В противном случае это может привести к поломке иглы или даже травме.**



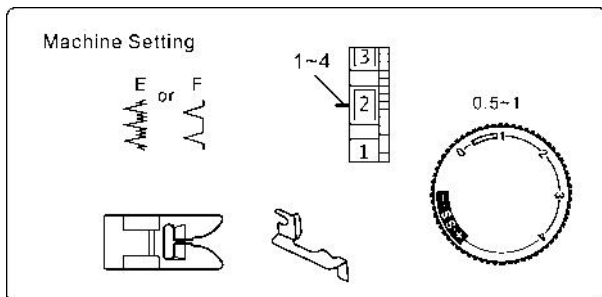
Sew the right side of the zipper.

Sew the left side of the zipper.

# ВСПОМОГАТЕЛЬНЫЕ ШВЫ

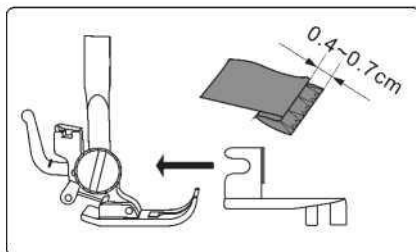
## Потайная строчка

Полезный совет: Пожалуйста, сначала проденьте нитку в иглу, прежде чем



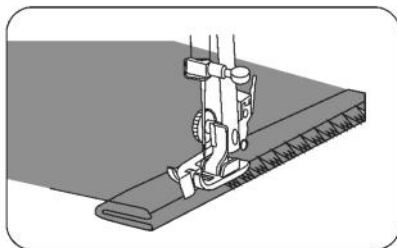
Сложите ткань, как показано на рисунке.

Опустите прижимную лапку, затем ослабьте винт держателя лапки, чтобы поместить направляющую кромки между винтом и хвостовиком держателя лапки. Затяните винт, убедившись, что стенка направляющей кромки находится посередине пальцев прижимной лапки.

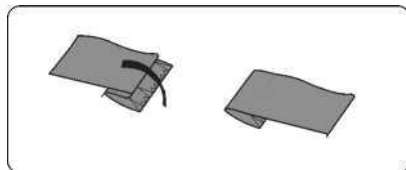


Поднимите прижимную лапку и подложите ткань под лапку так, чтобы мягкая складка прилегала к стенке направляющей для подгиба.

Опустите ступу, затем медленно прошивайте для лучшего контроля, чтобы зигзагообразные стежки пришлись на припуск на подгиб и прошили мягкую складку. Во время шитья следите за тем, чтобы мягкая складка проходила вдоль стенки направляющей кромки.



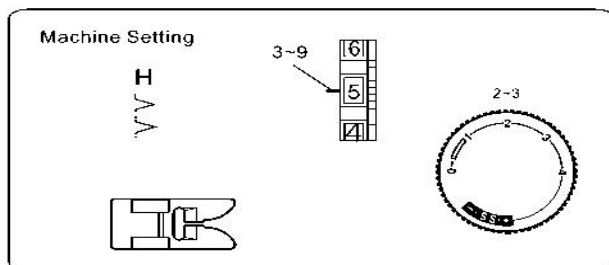
Расправьте ткань правой стороной вверх.



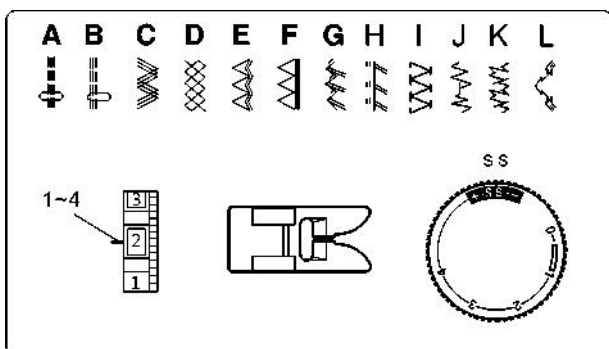
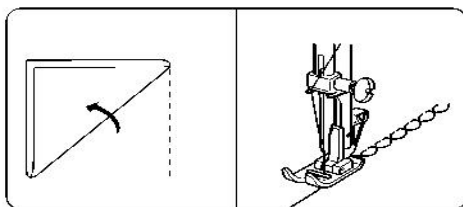
# ДЕКОРАТИВНЫЕ СТРОЧКИ

## Обечайка

### Shell tuck stitch



Place the folded edge along the slot of foot, the needle should fall off the edge of the fabric on the right forming a tuck.

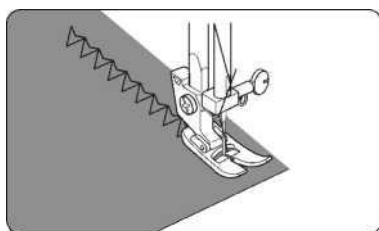


### Растягивающиеся швы

Если прямая и обратная подачи становятся несбалансированными в зависимости от типа ткани, отрегулируйте баланс, повернув регулятор длины стежка следующим образом:

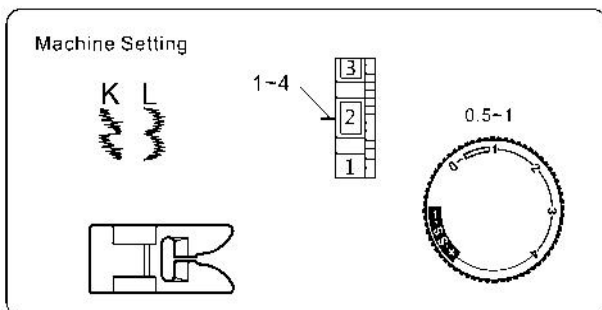
Когда шаблоны будут сжаты, исправьте это, повернув диск в сторону +

Когда шаблоны будут растянуты, исправьте это, повернув диск в сторону -



# ДЕКОРАТИВНЫЕ СТРОЧКИ

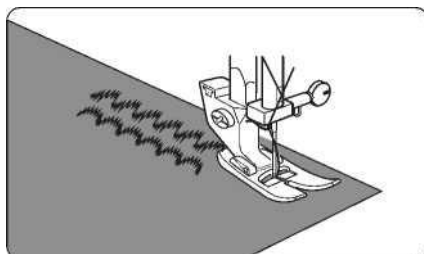
## Decorative satin stitch



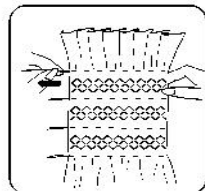
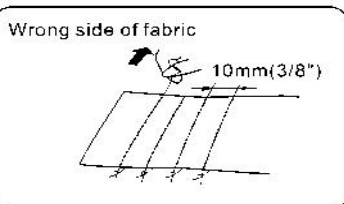
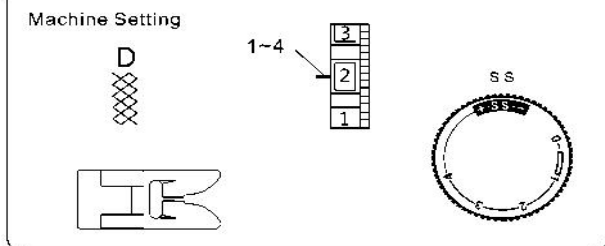
## Шитье гладью

Прошейте ряд стежков и отрегулируйте натяжение нити таким образом, чтобы верхняя нить оказалась на изнаночной стороне ткани.

Проверьте стежок на реальной ткани для получения наилучших результатов.



## Сморщивание

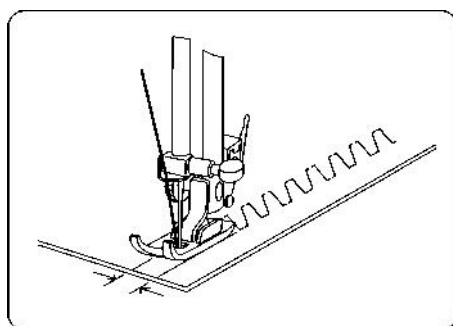
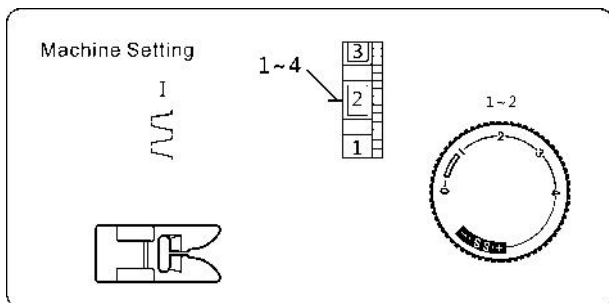


С длиной стежка "4" прошейте прямой строчкой на расстоянии 3/8 друг от друга по всей площади, подлежащей обтачке. Завяжите нити узлом вдоль одного края, заправьте нити в шпульку и равномерно распределите складки. Закрепите нить на другом конце. Прошейте декоративный стежок между стежками-сборками. Вытяните собирающиеся стежки.

# ДЕКОРАТИВНЫЕ СТРОЧКИ

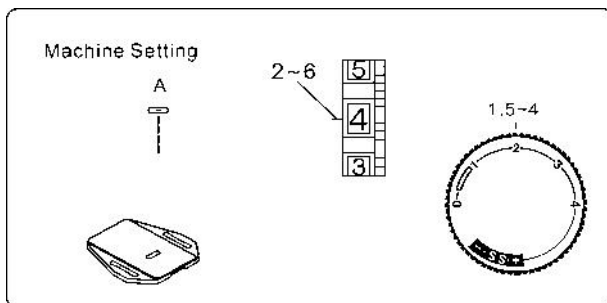
## Квадратный стежок

Используйте этот стежок для соединения плотного подкладочного материала. Наложите два необработанных края друг на друга и используйте этот стежок, чтобы соединить их.



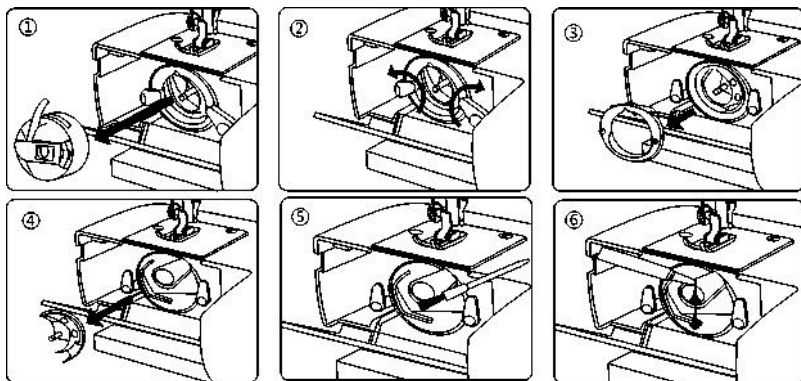
## Свободный шов

Можно шить свободными стежками в соответствии с собственным стилем заказчика.



Примечание: Перед свободным шитьем снимите прижимную лапку и держатель для нее.

## Демонтаж и сборка челночного корпуса



Поднимите иглу в самое верхнее положение и откройте крышку челнока.

1. Откройте откидную защелку корпуса шпульки и выньте ее из машины.
2. Откройте держатели крышки корпуса челнока.
3. Снимите крышку направляющей челнока.
4. Снимите челнок.
5. Очистите направляющую челнока щеткой и мягкой сухой тканью.
6. Перед сборкой направляющей челнока смажьте ее несколькими каплями высококачественного масла для швейной машины.

### Примечание:

1. Используйте масло экономно, так как чрезмерное смазывание приведет к его попаданию на ткань.
2. В случае, если машина работает с перебоями из-за простоя в течение некоторого времени, нанесите несколько капель керосина на место смазывания и быстро вращайте машину в течение минуты.
3. Если машина продолжает работать 4-8 часов или появляется ненормальный шум, нанесите 2-3 капли масла для швейной машины в точки смазки.

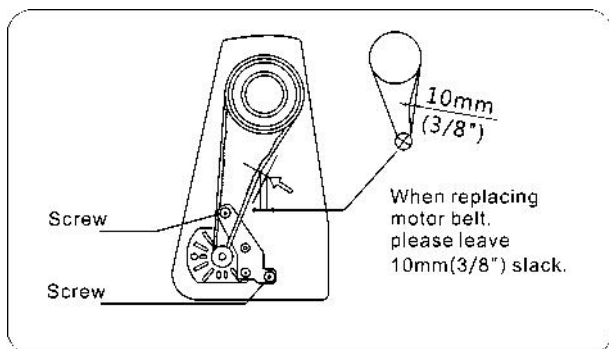
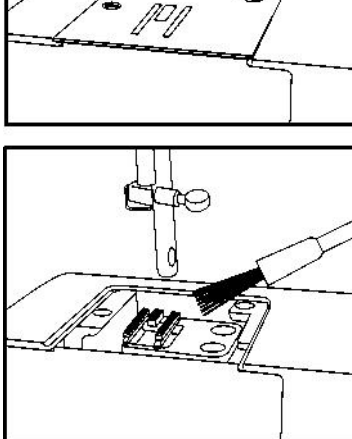
### Сборка корпуса челнока



1. Возьмите челнок за центральный штифт и аккуратно вставьте его обратно в направляющую челнока, образовав идеальный круг вместе с водителем челнока.
2. Прикрепите крышку челночного кольца, убедившись, что нижний штифт входит в выемку.
3. Зафиксируйте держатели крышки челночного кольца, вернув их в исходное положение.
4. Вставьте шпульку.

Перед началом работы с машиной обязательно отключите источник питания.

С помощью щетки очистите зубцы подающих собачек от пыли и ворса. Установите игольную пластину на место.



## Натяжение приводного ремня

Чтобы отрегулировать натяжение ремня, снимите крышку ремня и отверните крепежные винты примерно на один оборот с помощью отвертки.

Это позволит двигателю двигаться вниз или вверх. Затем плотно затяните винт, убедившись, что ремень натянут правильно.

**ВНИМАНИЕ:** Не затягивайте ремень слишком туго.

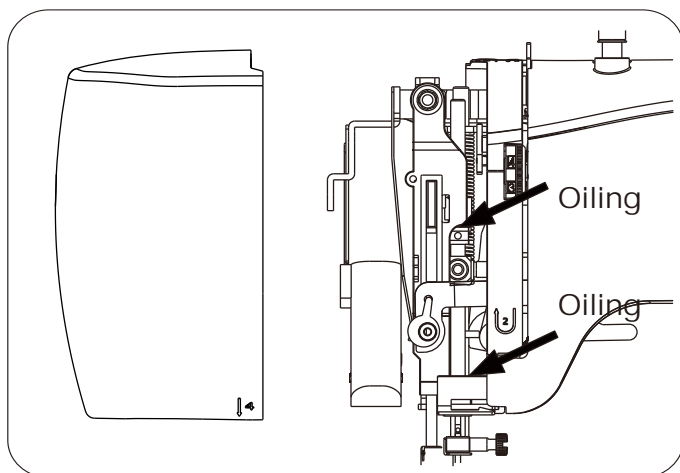
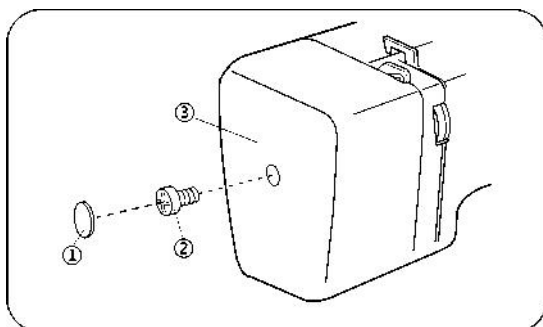
**Перед началом работы с машиной обязательно отключите источник питания.**



## Смазка машины

1. Заглушка винта лицевой крышки
2. Винт лицевой крышки
3. Лицевая крышка

Удалите лицевую панель, отвернув винт.



Нанесите несколько капель высококачественного масла для швейной машины в точки, указанные стрелками на рисунках. Если машина постоянно используется, смазывайте ее маслом два-три раза в год.

В случае, если машина работает с перебоями из-за простоя в течение некоторого времени, нанесите несколько капель керосина на место смазывания и быстро вращайте машину в течение минуты.

Перед нанесением масла протрите точки смазки.

**Перед началом работы с машиной обязательно отключите источник питания**

	6. Неправильный выбор нити.	6. Подберите соответствующую нить.
Обрыв шпульной нити	1. Шпульная нить неправильно намотана. 2. Вращение челнока затруднено забившимся пухом. 3. Шпулька повреждена, и ее невозможно плавно вращать.	1. Снова намотайте нитку на шпульку. (См. стр. 9.) 2. Очистите направляющую челнока. (См. стр. 23.) 3. Замените шпульку. (См. стр. 6.)
Поломка иглы	1. Неправильная фиксация иглы. 2. Тупая или погнутая игла. 3. Ослаблен винт зажима иглы. 4. Чрезмерно тугое верхнее натяжение. 5. Слишком тонкая игла.	1. Переустановите иглу на место. (См. стр. 10.) 2. Замените иглу. (См. стр. 10.) 3. Затяните винт зажима иглы. 4. Отрегулируйте верхнее натяжение. (См. стр. 9.) 5. Замените соответствующую иглу. (См. стр. 10.)
Пропуск стежков	1. Неправильная фиксация иглы. 2. Тупая или погнутая игла. 3. Игла и (или) нитка не подходят для используемой ткани. 4. Неправильная заправка верхней нити. 5. Игла не подходит.	1. Переустановите иглу на место (см. стр. 10). 2. Замените иглу. (См. стр. 10.) 3. Замените иглу и нитку на подходящие. (См. стр. 10.) 4. Перезаправьте верхнюю нить. (См. стр. 7.) 5. Замените иглу на соответствующую. (См. стр. 10.)
Сморщивание швов	1. Чрезмерно тугое натяжение верхней нити. 2. Неправильная заправка верхней нити. 3. Слишком толстая верхняя нить для использованной ткани.	1. Отрегулируйте верхнее натяжение. ((См. стр. 9.) 2. Перезаправьте верхнюю нить. (Обратитесь к странице 7.) 3. Замените нить на соответствующую. (См. стр. 10.)
Неравномерная подача ткани	1. Подающая собачка обматывается ниткой. 2. Заедание нити.	1. Почистите подающую собачку. (См. стр. 24.) 2. Убрать намотавшуюся нить.
Машина не работает	1. Не правильно вставлена вилка в розетку. 2. Зажим нити в челноке. 3. Невозможность возврата вала устройства для намотки шпульки в исходное положение после намотки шпульки.	1. Проверьте разъем питания. (См. стр. 3.) 2. Уберите намотавшуюся нить. 3. Установите вал устройства для намотки шпульки в исходное положение. (См. стр. 5.)
Зажимание нити	1. При шитье подъемник прижимной лапки не опускается. 2. Неправильная заправка верхней нити. 3. Неправильная заправка шпульной нити.	1. Опустите вниз подъемник прижимной лапки. (См. стр. 4.) 2. Перезаправьте верхнюю нить. (См. стр. 7.) 3. Снова намотайте шпульную нить. (См. стр. 9.)

## ВОЗМОЖНЫЕ НЕИСПРАВНОСТИ И СПОСОБЫ ИХ УСТРАНЕ



